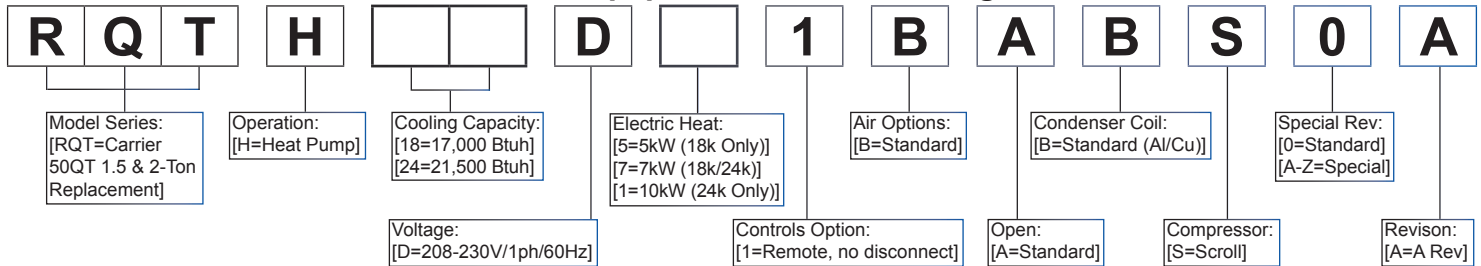


Specifications & Submittal

Replacement Single Package Vertical Heat Pump with Electric Heat (Carrier 50QT)

RQTH Equipment Model Decoding:



Qty	Complete Model / SKU	Model Description
	RQTH18D51BABS0A	RQTH, Heat Pump, 18k Btuh, 5kW Electric Heat, 208/230V, Single Point Power, Al/Cu Coil, Left-side Controls, Std Range
	RQTH18D71BABS0A	RQTH, Heat Pump, 18k Btuh, 7kW Electric Heat, 208/230V, Single Point Power, Al/Cu Coil, Left-side Controls, Std Range
	RQTH24D71BABS0A	RQTH, Heat Pump, 24k Btuh, 7kW Electric Heat, 208/230V, Single Point Power, Al/Cu Coil, Left-side Controls, Std Range
	RQTH24D11BABS0A	RQTH, Heat Pump, 24k Btuh, 10kW Electric Heat, 208/230V, Single Point Power, Al/Cu Coil, Left-side Controls, Std Range



Mark desired quantity of EACH accessory for order [1-louver/unit required]

Thermostat, T9000, Wireless, Battery, Single Stage, 1-H/1-CI, 5/2-Prog, MCO [PN 240009905 also required] (PN 240009781)	Louver Kit, Outdoor, Architectural, Steel, RQTH, Powder Coated, Champagne, Bay-Style, External Mount (PN 240010557CS)
Remote Control Node, T9000, Printed Circuit Board, Wireless, 24Vac, 1/unit req'd [#240009781 also required] (PN 240009905)	Louver Kit, Outdoor, Architectural, Extruded Aluminum, RQTH, Bay-Style, External Mount (PN 240010556A)
Thermostat, Single-Stage, 1-Heat/1-Cool, 24Vac, Programmable, ICM, Manual Changeover (PN 240008208)	Louver Kit, Outdoor, Laser-cut Steel, RQTH, Powder Coated, Champagne, Bay-Style, External Mount (PN 240010458CS)
Thermostat, Single-Stage, 1-Heat/1-Cool, 24Vac, Programmable, ICM, Auto Changeover (PN 240008210)	Flange Kit, Internal Mounting, RQTH, All Louvers (PN 550002955)

AHRI Performance & Airflow Data

Model	Cooling Btuh (kW)	Sensible Heat Ratio	EER	Heat Pump Btuh (kW)	COP	Airflow vs External Static Pressure			Fresh Air Inlet CFM (L/S)	Outdoor Sound Level dBa
						0.1" wc	0.2" wc	0.3" wc		
						(2.5mm wc)	(5.1mm wc)	(7.6mm wc)		
RQTH18	17,000 (4.98)	0.77	9.00	15,800 (4.63)	3.0	600 (283)	550 (260)	500 (236)	60	71
RQTH24	21,500 (6.30)	0.75	9.00	21,200 (6.21)	3.0	710 (335)	650 (307)	600 (283)	60	71



To: _____
Date: _____
From: _____
Contact: _____

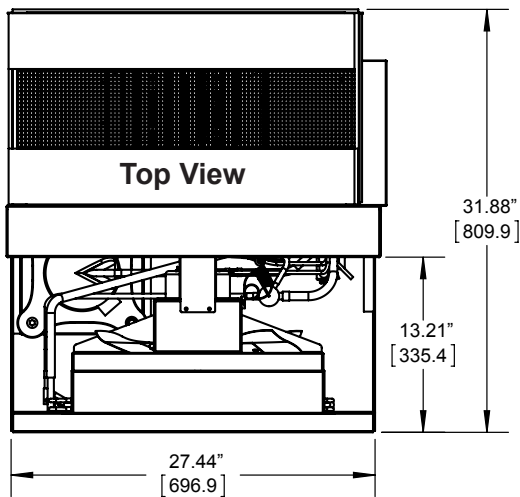
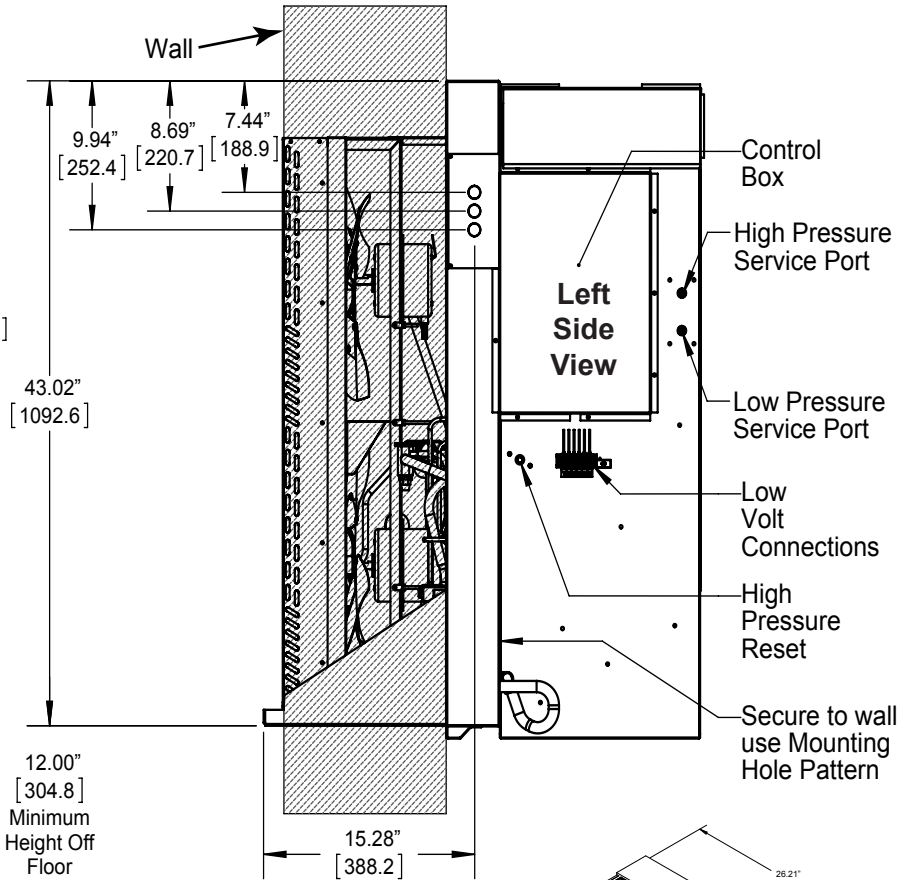
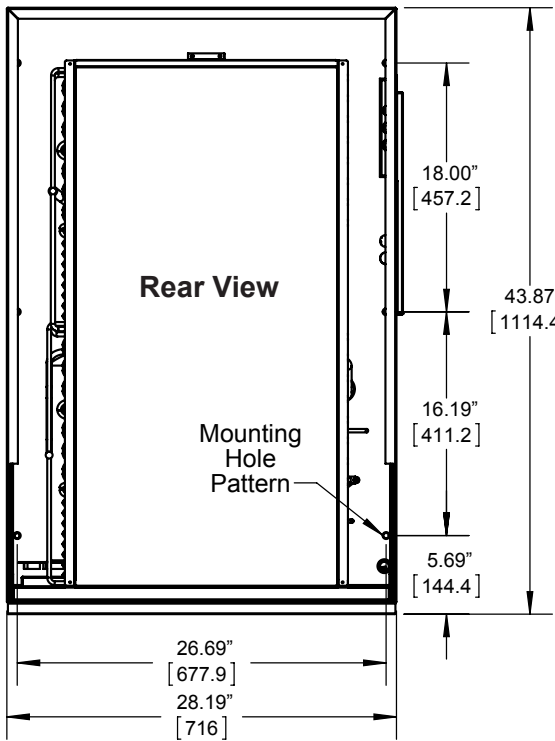
Project: _____
Customer: _____
Location: _____
Engineer: _____
Unit Tag# _____

For Your: Reference Approval Construction

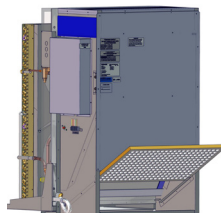
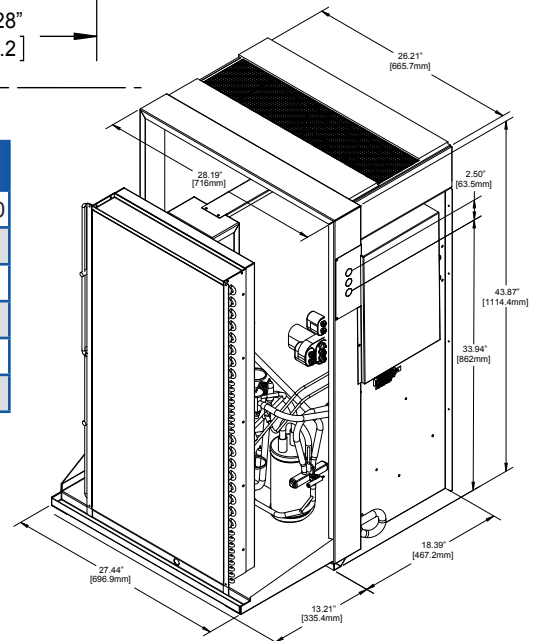
Electrical, Dimensional and Miscellaneous Specifications

Electrical Data

Model	Power Supply		Compressor		Indoor Fan Motor		Outdoor Fan Motor		Electric Heat				Unit Electrical Ratings				
	Voltage	Min V	RLA	LRA	FLA	Hp	FLA	Hp	Htr#	Htr V	Htr W	Htr A	TCA	THA	MCA	MOCF	Power
RQTH18	208-230V/ 1ph/60Hz	197	7.3	48	1.3	0.25	0.5, 0.5	0.125, 0.125	5	208	4089	19.7	9.6	21.0	26.2	30	Hard-wired
										230	5000	21.7		23.0	28.8		
									7	280	5725	27.5		28.8	36.0	40	
										230	7000	30.4		31.7	39.7		
RQTH24	208-230V/ 1ph/60Hz	197	10.0	58.3	1.3	0.25	0.5, 0.5	0.125, 0.125	7	208	5725	27.5	12.3	28.8	36.0	40	Hard-wired
										230	7000	30.4		31.7	39.7		
									10	280	8178	39.3		40.6	50.8	60	
										230	10,000	43.5		44.8	56.0		



Miscellaneous Data	
Return Air Filter	1 - Disposable, UL900
RA Filter Dims	16" x 25" x 1"
Unit Weight	245 lbs (111 kg)
Shipping Weight	305 lbs (138 kg)
Shipping Dims	31" x 33" x 45"
Electric Heat	~25°F OD Coil Temp



ECR International, Inc.
2201 Dwyer Avenue • Utica, NY 13501
Phone: 800.325.5279 • Web: RetroAire.com

NOTICE: Due to ongoing product development; design, specification and performance data listed within this submittal document are subject to change without notice. For the most current performance data, please refer to ECR International listings of certified products in the AHRI directory, or consult the factory.