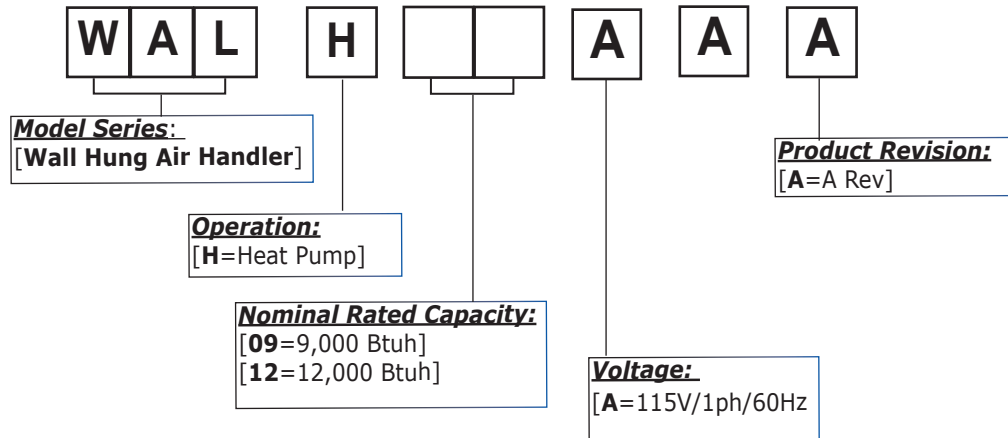




Specifications, Performance & Submittal

**Model:
Wall Air
Handler
115V 9k-12k**

Wall Air Handler (Heat Pump)



Indicate the *quantity* of field installed accessories,
for each unit

| QTY Ordered | Description | Part Number |
|-------------|---|----------------|
| | Optional: Thermostat, Wall, Iverter | KJR12B |
| | Optional: SPARE Hand Held Infrared Remote Control [NOTE: Each Wall Air Handler comes with a hand held remote, standard] | 17317000A14903 |

**Number of Units
Ordered**

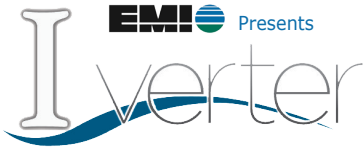


| | |
|------------|--|
| Approved: | |
| Reviewed: | |
| Contact: | |
| Address: | |
| Phone: | |
| Unit Tag # | |
| REVISION | |

Approval

By: _____

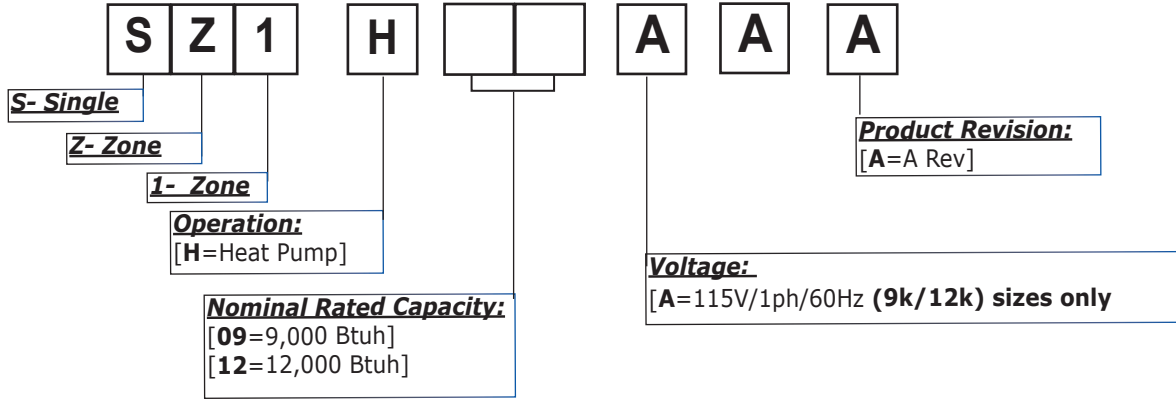
NOTICE: Due to ongoing product development; design, specification and performance data listed within this submittal document are subject to change without notice. Visit our website enviromaster.com for the most current performance data or consult the factory.



Specifications, Performance & Submittal

**Model:
Single Zone
Condenser
115V 9k-12k**

Single Zone Condenser (Heat Pump)



Indicate the quantity of field installed accessories, required for each unit

| QTY Ordered | Description | Part Number | Notes |
|-------------|---|-------------|--------------|
| | TUBE SET,3/8X1/4X16',5M,WALH/CASH09,FLR,INS,US | F0323161A | 09 size only |
| | TUBE SET,3/8X1/4X26',8M,WALH/CASH09,FLR,INS,US | F0323261A | 09 size only |
| | TUBE SET,1/2X1/4X16',5M,WALH/CASH12,18,FLR,INS,US | F0423161A | 12 size |
| | TUBE SET,1/2X1/4X26',8M,WALH/CASH12,18,FLR,INS,US | F0423261A | 12 size |



| | |
|------------|--|
| Approved: | |
| Reviewed: | |
| Contact: | |
| Address: | |
| Phone: | |
| Unit Tag # | |
| REVISION | |

| Number of Units Ordered |
|-------------------------|
| |

| |
|-----------|
| Approval |
| By: _____ |

NOTICE: Due to ongoing product development; design, specification and performance data listed within this submittal document are subject to change without notice. Visit our website enviromaster.com for the most current performance data or consult the factory.



Specification and Performance

Single - Zone Systems

115V 9k-12k

Ductless Mini Split:

- ◆ Heat Pump.
- ◆ R410a refrigerant.
- ◆ 21.5 to 22.5 SEER high efficiency models with capacities from 9,000 Btuh to 12,000 Btuh.
- ◆ Easy installation requiring no ductwork, a small hole for running power wiring and refrigerant lines is all that is needed to connect indoor and outdoor sections.
- ◆ Low profile indoor air handler is neutral color that blends with any decor. Wall air handler available.
- ◆ Next generation outdoor condenser with inverter compressor provides exceptionally quiet operation and intelligently adjusts speed to temperature conditions.
- ◆ Low operating cost.
- ◆ Programmable Hand-held Control (Optional Wall Thermostat).
- ◆ Simple design makes it easy to remove and clean the washable filters.
- ◆ Intelligent Design allows system to intelligently adjust the angle of the louver to ensure greatest efficiency for heating and cooling. For more control, manually adjust louver as small as 6 degrees from using the hand-held remote.

Features:

- Remote Control Convenience - All models supplied with hand-held Infrared Remote Controller with easy-to-read LCD display. Factory installed operating features provide capacity to set temperature, louver control, fan speeds and more.
- Follow-Me Technology - Mode that activates a temperature sensor that is built into Infrared remote control. When you stay close to the remote control, the unit will continue to condition the space until you are comfortable.
- Turbo Mode - Air condition maximizes output of cooling and heating capacity, making the room cool down or heat up rapidly and attain the desired temperature in the shortest time.
- Auto Restart - If system shuts down due to power failure, system will restart with previous function setting when power is restored.
- Auto Level Swing Louvers - In cooling mode, louvers self adjust to horizontal position and circulate cold air more efficiently. In heating mode, louvers deflect hot air downward so hot air will rise and circulate keeping the room warm.
- 24 Hour Timer - Set a wide variety of timer based operations, start and stop at specific times. Control fan speed as well as cool, heat and auto from anywhere in the room.
- Sleep Mode - Enables the system to gradually decrease cooling or heating output automatically during night operation to maintain comfort level while saving energy.

Single - Zone Systems

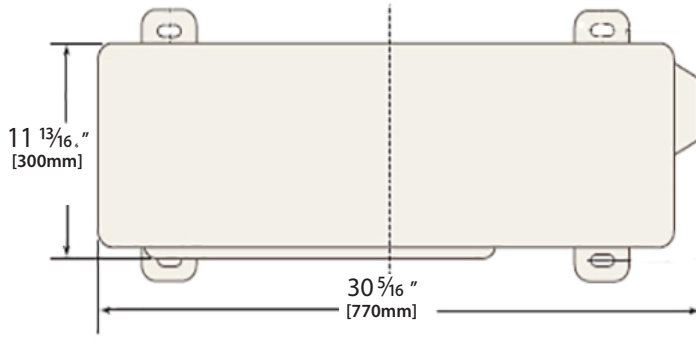
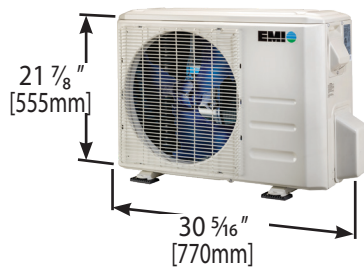
115V 9-12K

| Model | | | WALH09A SZ1H09A | WALH12A SZ1H12A |
|---|------------------------------|-----------|---|---|
| Indoor | | | | |
| Outdoor | | | | |
| Power Supply | | V-Hz-Ph | 115V-60Hz, 1Ph | 115V-60Hz, 1Ph |
| Cooling | Nominal Capacity | Btu/h | 9000 | 12000 |
| | EER | Btu/w | 13.5 | 12.5 |
| | SEER | Btu/w | 22.5 | 21.5 |
| Heating | Capacity | Btu/h | 9800 | 11800 |
| | HSPF4 | Btu/w | 10.5 | 11.2 |
| Low Temperature Capacity (17°F) | | Btu/h | 7962 | 7425 |
| Low Temperature Capacity (-5°F) | | Btu/h | 5408 | 4923 |
| Operating Range Outdoor Unit | Cooling | | (-13°F - 122°F) | (-13°F - 122°F) |
| | Heating | | (-13°F - 86°F) | (-13°F - 86°F) |
| Indoor air flow (Hi/Mi/Lo) | | CFM | 294/212/147 | 306/212/147 |
| Indoor noise level (Hi/Mi/Lo) | | dB(A) | 36/32/23 | 36/32/23 |
| Indoor Unit | Dimensions (W*D*H) | inches | 31 ⁹ / ₁₆ x 7 ⁷ / ₁₆ x 11 ¹¹ / ₁₆ | 31 ⁹ / ₁₆ x 7 ⁷ / ₁₆ x 11 ¹¹ / ₁₆ |
| | Dimensions (W*D*H) | mm | 802 x 189 x 297 | 802 x 189 x 297 |
| | Weight | lbs | 22 | 22 |
| Outdoor Unit | Dimensions (W*D*H) | inches | 30 ⁵ / ₁₆ x 11 ¹³ / ₁₆ x 21 ⁷ / ₈ | 31 ¹ / ₂ x 13 ¹ / ₈ x 21 ¹³ / ₁₆ |
| | Dimensions (W*D*H) | mm | 770 x 300 x 555 | 800 x 333 x 554 |
| | Weight | lbs | 31.5 | 40 |
| Refrigerant Precharge | | ft | 25 | 25 |
| Additional charge for each ft | | oz | 0.161 | 0.161 |
| Design Pressure | | PSIG | 550/340 PSIG | 550/340 PSIG |
| Refrigerant Piping | Liquid side/Gas side | mm (inch) | 6.35 x 9.52 (¼" x ⅜") | 6.35 x 12.7 (¼" x ½") |
| | Max. refrigerant pipe length | m | 25 | 25 |
| | Max. refrigerant pipe length | ft | 82 | 82 |
| | Max difference in level | m | 10 | 10 |
| | Max difference in level | ft | 33 | 33 |
| Compressor | | RLA | 9.8 | 10.5 |
| Outdoor Fan | | RLA | 0.6 | 0.6 |
| Indoor Fan | | RLA | 0.3 | 0.3 |
| Minimum Circuit Ampacity | | Amps | 15 | 15 |
| Max Fuse Size | | Amps | 15 | 20 |
| Thermostat Type - Standard - Supplied with unit | | | Hand-held Remote Control | Hand-held Remote Control |
| Thermostat Type - Optional Wired Wall - Purchase separately | | | Wall Thermostat | Wall Thermostat |

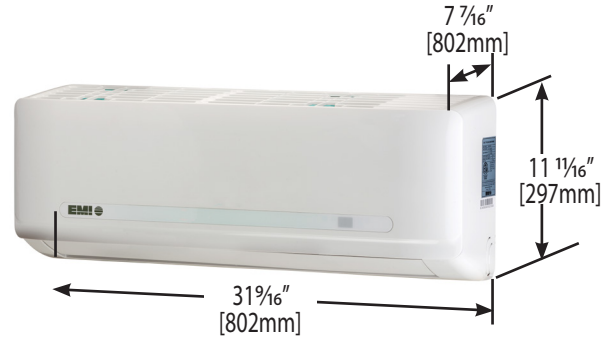
Dimensions

Condensers

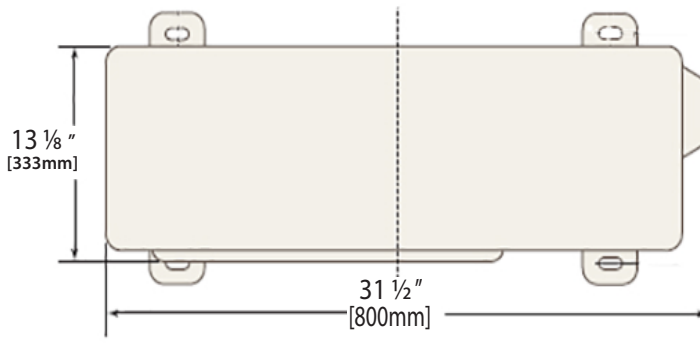
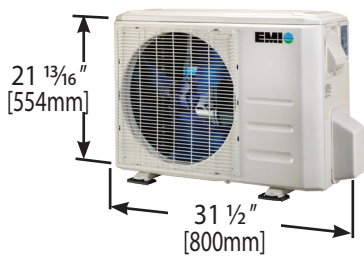
SZ1H09D



WALH09D & WALH12D



SZ1H12D



Handheld Remote Controller

Every EMI System comes with an easy to use handheld remote so you can adjust your comfort level at the touch of a button.

- Enabling "Follow Me" Technology. When "Follow Me" mode is activated, the system switches from air handler-mounted room temperature sensor, to the sensor inside of the infrared handheld remote control. The unit conditions the space where you are, with the remote close at hand.
- Enabling Timer Modes - On a schedule? Control variety of settings with precision through the Timer Mode. Never worry about arriving to a cold home again. If the system stops due to power outage, it will automatically restart to its last setting when the power comes back.



Optional Wired Wall Thermostat

Instead of a hand-held remote controller, the unit can be wired to I-verter wall mounted thermostat.

