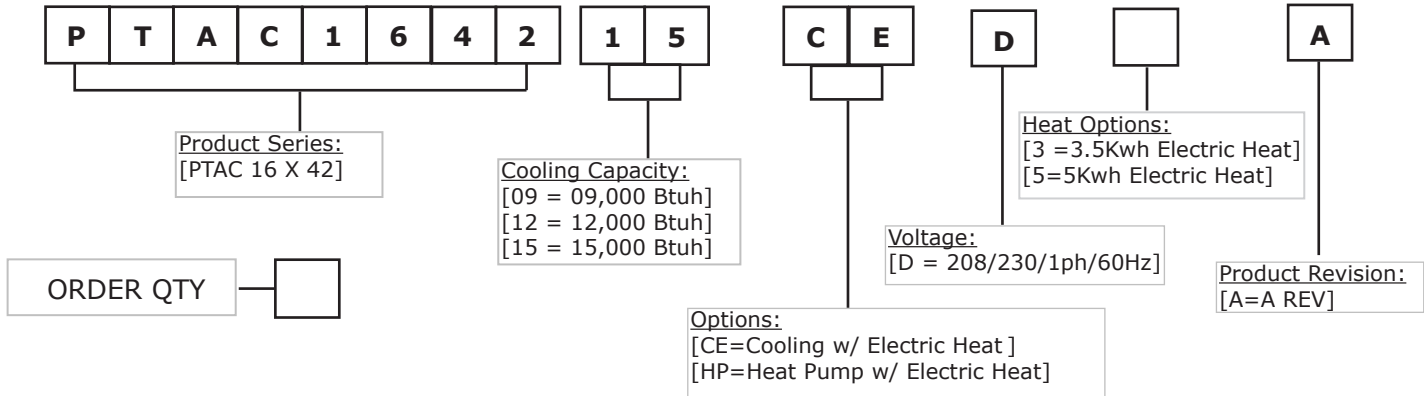


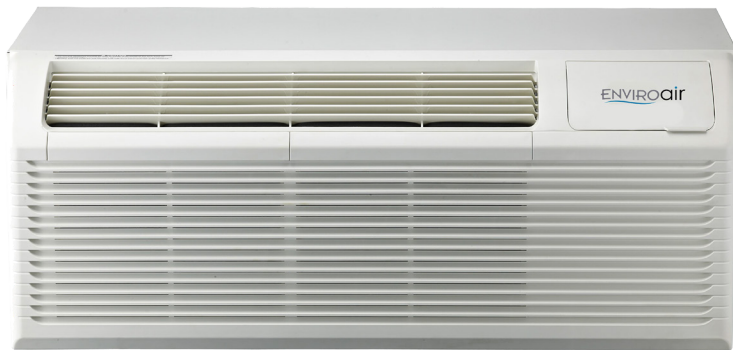
## Specifications & Submittal

### PTAC SERIES



### FIELD INSTALLED ACCESSORIES

Order QTY	Accessory	Part Number
	Wired Controller	17317100A01441
	Wall Sleeve PTAC 16x42	12020300A00011
	Aluminum Rear Grille	12020300A00080
	Louvered Grille	12020300A00061



### PERFORMANCE DATA

Power Supply	Ph-V-Hz	230/208V-,60Hz 1PH	
<b>Cooling</b>			
Capacity	Btu/h	14700/14500	
Input	Watts	1547/1526	
Current	Amps	6.73/7.34	
EER	Btu/w	9.5	
<b>Heating (Heat Pump)</b>			
Capacity	Btu/h	NA	
Input	Watts	NA	
Current	Amps	NA	
COP	W/W	NA	
<b>Heating (Electric)</b>			
		3.5k	5k
Capacity	Btu/h	10900/8900	15000/12200
Input	Watts	3519/2850	4769/3953
Current	Amps	15.3/13.7	22/19.7
Minimum Circuit Ampacity	Amps	20	28



To: \_\_\_\_\_  
 Date: \_\_\_\_\_  
 From: \_\_\_\_\_  
 Contact: \_\_\_\_\_

Project: \_\_\_\_\_  
 Customer: \_\_\_\_\_  
 Location: \_\_\_\_\_  
 Engineer: \_\_\_\_\_  
 Unit Tag# \_\_\_\_\_

For Your:  Reference

Approval

## PTAC SERIES Technical DATA - Continued

### PERFORMANCE DATA - conti.

<b>Compressor &amp; Electrical</b>			
Type	Rotary		
Input	1310		
Rated Current (RLA)	6.35		
Locked rotor Amp (LRA)	34.5		
Thermal Protector Position	N/A		
Connection Wiring	12AWGx3	12AWGx3	
Plug Type	LCDI 6-20P	LCDI 6-30P	
Thermostat Type	Unit Mounted Electronic Control		

### SYSTEM DATA

Design Pressure	PSIG	540/300
Refrigerant Type	oz	R410A/28.92ozs
Application Area (Cooling EPA)	sq.ft.	550-700
Application Area (Cooling Standard)	m <sup>2</sup>	20-29

### UNIT DIMENSION

Dimension (W*D*H) (without wall sleeve)	inch	42x21x16
Packing (W*D*H)	inch	45x25.4x18.7
Net/Gross Weight	Kg	53.5/65
	lbs	117.9/143.3

### INDOOR SIDE DATA

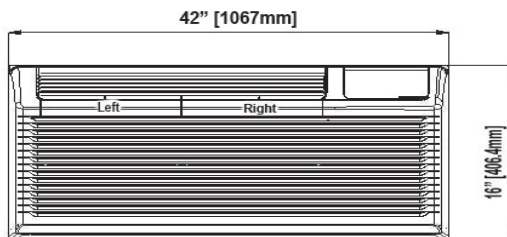
<b>Indoor Side Fan Motor</b>		
FLA / Output	Amps/Watts	0.155/21
Speed (Hi/Mi/Lo)	rpm	1110/1070/1040
<b>Air Flow &amp; Noise Level</b>		
Indoor Side Air flow (Hi/Mi/Lo)	m <sup>3</sup> /h	660/640/620
Indoor Side Air flow (Hi/Mi/Lo)	CFM	388/376/364
Indoor Side Noise Level (Hi/Mi/Lo)	dB(A)	53/50/45

### OUTDOOR SIDE DATA

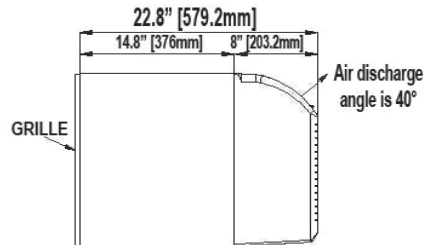
<b>Outdoor Side Fan Motor</b>		
FLA / Output	Amps/Watts	0.41/58
Speed	rpm	1590
<b>Air Flow &amp; Noise Level</b>		
Outdoor Side Noise Level	dB(A)	66

### OPERATION TEMPERATURE

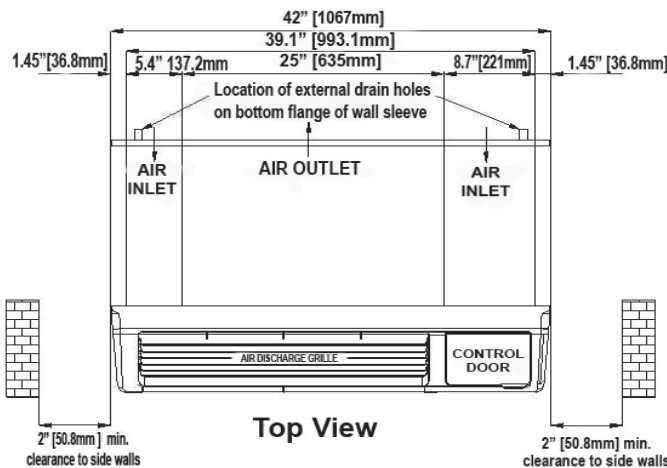
Indoor Cooling/Heating)	°C	17-32/0-27
	°F	62°F-90°F/32°F-80°F
Outdoor (Cooling/Heating)	°C	18-43/5-24
	°F	64°F-109°F/23°F-76°F



Front View



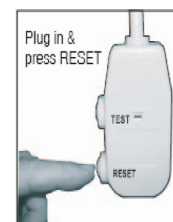
SIDE VIEW



Top View

Unit includes plug and cord:

Power Card			
Power Supply	230V,15A	230V,20A	230V,30A



NOTE: Some plugs have buttons on the top.

**NOTICE:** Due to ongoing product development; design, specification and performance data listed within this submittal document are subject to change without notice. For the most current unit/system performance data, please refer to the product literature on our website, [www.enviromaster.com](http://www.enviromaster.com), or consult the factory.