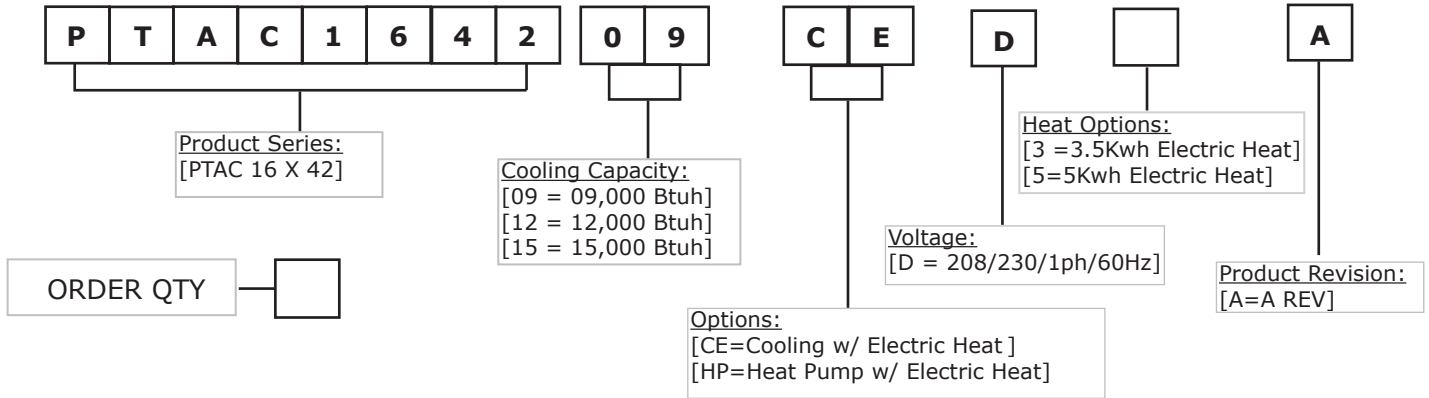


ENVIROair

Specifications & Submittal

PTAC SERIES



FIELD INSTALLED ACCESSORIES

Order QTY	Accessory	Part Number
	Wired Controller	17317100000170
	Wall Sleeve PTAC 16x42	12020300A00011
	Aluminum Rear Grille	12020300A00080
	Louvered Grille	12020300A00061



PERFORMANCE DATA

Power Supply	Ph-V-Hz	230/208V-,60Hz	
Cooling			
Capacity	Btu/h	9200/9000	
Input	Watts	814/796	
Current	Amps	3.54/3.83	
EER	Btu/w	11.3	
Heating (Heat Pump)			
Capacity	Btu/h	NA	
Input	Watts	NA	
Current	Amps	NA	
COP	W/W	NA	
Heating (Electric)			
		3.5k	5k
Capacity	Btu/h	10900/8900	15000/12200
Input	Watts	3519/2850	4769/3953
Current	Amps	15.3/13.7	22/19.7
Minimum Circuit Ampacity	Amps	20	28



To: _____
 Date: _____
 From: _____
 Contact: _____

Project: _____
 Customer: _____
 Location: _____
 Engineer: _____
 Unit Tag# _____

For Your: Reference

Approval

PTAC SERIES Technical DATA - Continued

PERFORMANCE DATA - conti.

Compressor & Electrical			
Type	Rotary		
Input	638/650		
Rated Current (RLA)	3.08/2.85		
Locked rotor Amp (LRA)	18		
Thermal Protector Position	External		
Connection Wiring	12AWGx3	12AWGx3	
Plug Type	LCDI 6-20P	LCDI 6-30P	
Thermostat Type	Unit Mounted Electronic Control		

SYSTEM DATA

Design Pressure	PSIG	540/300
Refrigerant Type	oz	R410A/21.16ozs
Application Area (Cooling EPA)	sq.ft.	350-400
Application Area (Cooling Standard)	m ²	12-18

UNIT DIMENSION

Dimension (W*D*H) (without wall sleeve)	inch	42x21x16
Packing (W*D*H)	inch	45x25.4x19.3
Net/Gross Weight	Kg	47.5/59
	lbs	104.7/130.1

INDOOR SIDE DATA

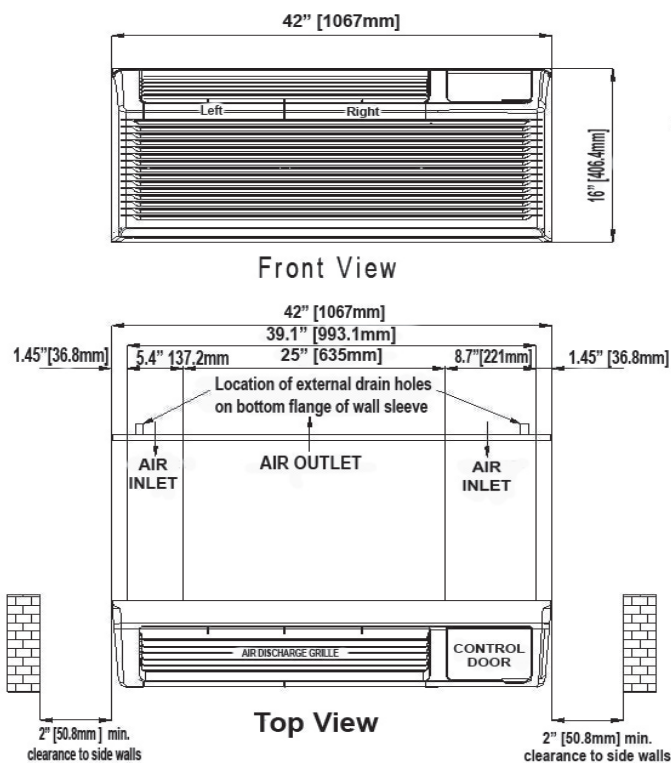
Indoor Side Fan Motor		
FLA / Output	Amps/Watts	0.155/21
Speed (Hi/Mi/Lo)	rpm	1110/1070/1040
Air Flow & Noise Level		
Indoor Side Air flow (Hi/Mi/Lo)	m ³ /h	740/710/670
Indoor Side Air flow (Hi/Mi/Lo)	CFM	435/417/394
Indoor Side Noise Level (Hi/Mi/Lo)	dB(A)	50/48/46

OUTDOOR SIDE DATA

Outdoor Side Fan Motor		
FLA / Output	Amps/Watts	0.35/37
Speed	rpm	1400
Air Flow & Noise Level		
Outdoor Side Noise Level	dB(A)	63

OPERATION TEMPERATURE

Indoor Cooling/Heating)	°C	17-32/0-27
	°F	62°F-90°F/32°F-80°F
Outdoor (Cooling/Heating)	°C	18-43/5-24
	°F	64°F-109°F/23°F-76°F



Unit includes plug and cord:

Power Card			
Power Supply	230V,15A	230V,20A	230V,30A



NOTE: Some plugs have buttons on the top.

NOTICE: Due to ongoing product development; design, specification and performance data listed within this submittal document are subject to change without notice. For the most current unit/system performance data, please refer to the product literature on our website, www.enviromaster.com, or consult the factory.