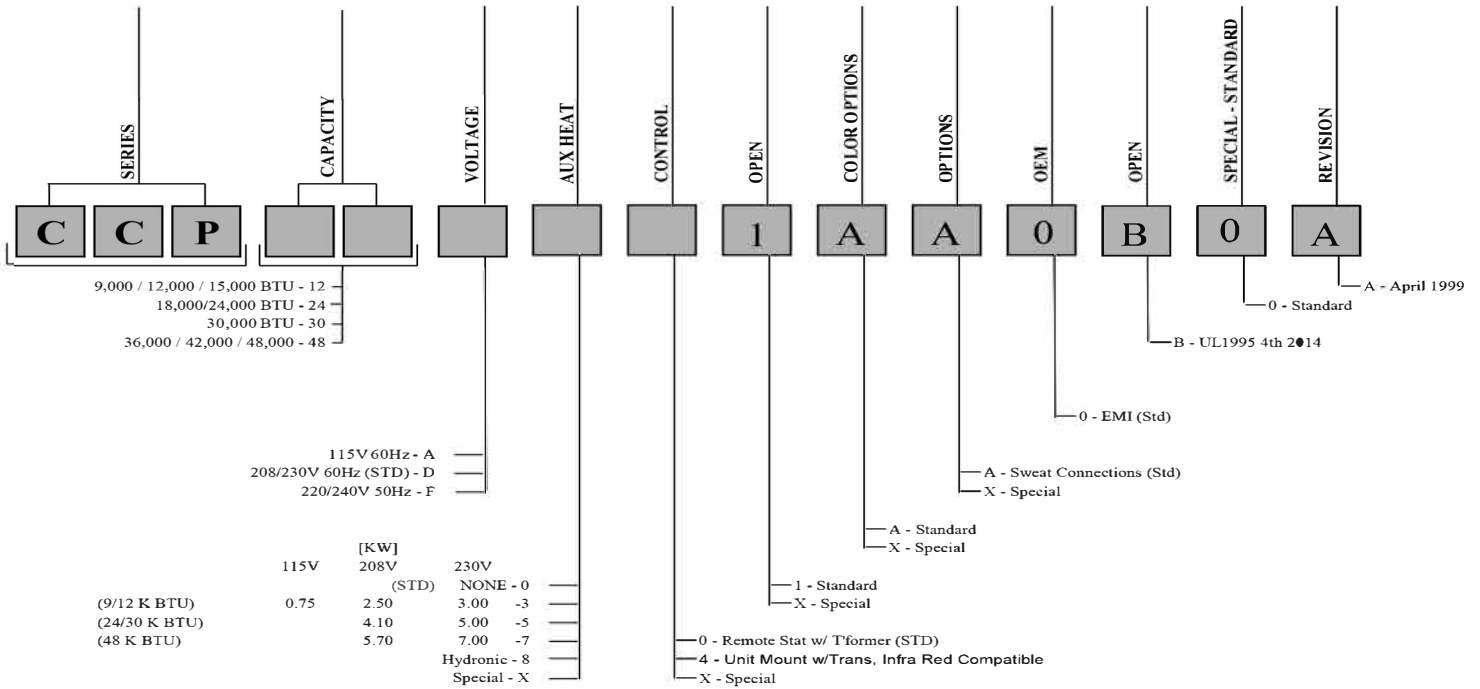


CCP Chilled Water Ceiling-Suspended Air Handlers



Please indicate desired quantity of optional accessories for each air handler (max allowed)

24VAC Wired Thermostat, Single-Stage, 1-Heat/1-Cool, Manual Changeover, #240008208 (1)	2-Way NC Valve, 24V Actuator, 3/4" Sweat Connections, Cv: 3.5, Close-Off: 25 PSI (2)
24VAC Wired Thermostat, Single-Stage, 1-Heat/1-Cool, Auto Changeover, #240008210 (1)	3-Way NC Valve, 24V Actuator, 1/2" Sweat Connections, Cv: 4.0, Close-Off: 25 PSI (2)
OEM Hand-Held Infrared Remote Control (#240006566) (1, Universal for all WCP/CCP air handlers)	2-Way NC Valve, 24V Actuator, 3/4" Sweat Connections, Cv: 7.5, Close-Off: 17 PSI (2)
Condensate Pump, 144" lift, External Floor Mount, 208/230v, #240003106 (1)	3-Way NC Valve, 24V Actuator, 3/4" Sweat Connections, Cv: 7.5, Close-Off: 17 PSI (2)
Condensate Pump, 144" lift, External Floor Mount, 115v, #240003107 (1)	Condensate Pump Kit, 48" lift, 115v-230v, #550002789 (1)

NOTE: Every air handler requires either a 24VAC Wall Thermostat or an OEM Hand-Held Infrared Remote



Quantity of Air Handler

____,000 Btuh Chilled Water Ceiling-Suspended Air Handler

* Select capacity, voltage, aux heat & control



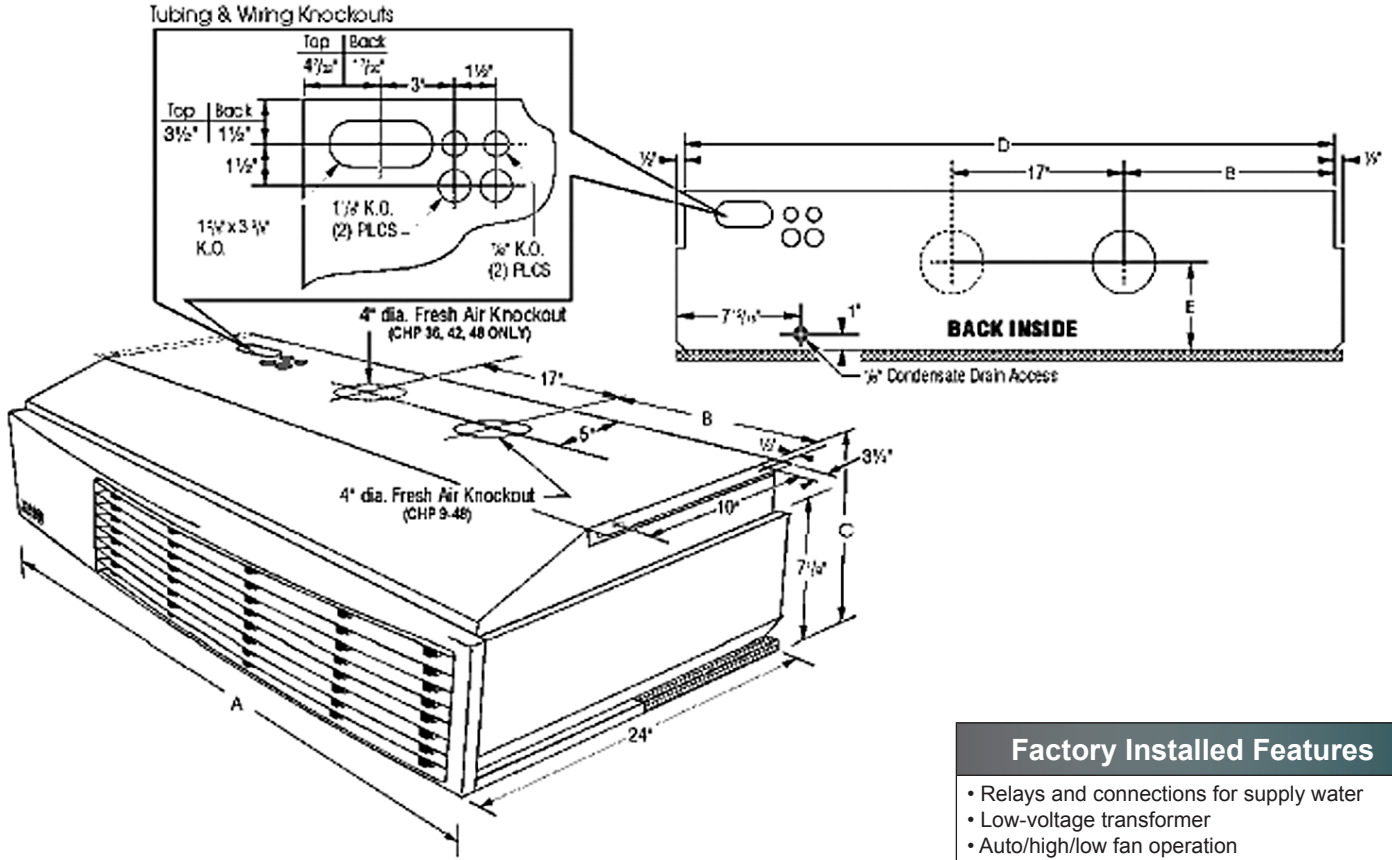
Intertek

To: _____
Date: _____
From: _____
Contact: _____

Project: _____
Customer: _____
Location: _____
Engineer: _____
Unit Tag# _____

For Your: Reference Approval Construction

CCP Air Handler Dimensions (3 Chassis Sizes)



Factory Installed Features

- Relays and connections for supply water
- Low-voltage transformer
- Auto/high/low fan operation
- Optional unit-mounted digital controls
 - Large 3/4" LCD display
 - Anti-short cycle protection
 - Fan purge (fan remains on for 60s after heat/cool call dropped for improved efficiency)

Dim	Model	Inches	mm	Dim	Model	Inches	mm	Dim	Model	Inches	mm
A	CCP12	42	1067	C	CCP12	10 3/4	273	E	CCP12	5 1/2	140
	CCP24	49	1245		CCP24	10 3/4	273		CCP24	5 1/2	140
	CCP30	49	1245		CCP30	10 3/4	273		CCP30	5 1/2	140
	CCP48	59	1499		CCP48	12 3/4	324		CCP48	7 1/2	191
B	CCP12	16 1/2	419	D	CCP12	41	1041	Shipping Weight	CCP12	115 lb	52 kg
	CCP24	19	483		CCP24	48	1219		CCP24	135 lb	61 kg
	CCP30	19	483		CCP30	48	1219		CCP30	135 lb	61 kg
	CCP48	16 1/8	410		CCP48	58	1473		CCP48	160 lb	73 kg

4-Pipe Hydronic Heat Data

Model	EWT °F	GPM	Capacity	P. Drop Ft H ₂ O
CCP12	140	2	14,500	3.4
	160	2	22,900	3.4
CCP24	140	4	27,200	5.2
	160	4	43,200	5.2
CCP30	140	4	29,800	5.2
	160	4	47,300	5.2
CCP48	140	4	40,300	6.1
	160	4	64,100	6.1

Electrical Specifications

Model #	Volts/Ph/Hz	Fan Motor		Elec Heat		Total Amps	Min Volt.	MCA	HACR BRKR
		Amps	HP	Amps	kW				
CCP12A0	115/1/60	1.4		-	-	1.4	104	1.8	15
CCP12D0	208-230/1/60	0.6		-	-	0.6	197	0.8	15
CCP12D3	208-230/1/60	0.6		13.1	3.0	13.7	197	17.1	20
CCP24D0	208-230/1/60	1.1		-	-	0.56	197	0.7	15
CCP24D5	208-230/1/60	1.1		13.1	3.0	13.7	197	17	30
CCP30D0	208-230/1/60	1.1		-	-	0.56	197	0.7	15
CCP30D5	208-230/1/60	1.1		21.7	5.0	22.3	197	27.9	30
CCP48D0	208-230/1/60	1.1,1.1		-	-	2.2	197	2.5	15
CCP48D7	208-230/1/60	1.1,1.1		30.4	7.0	32.6	197	40.8	45

Miscellaneous Technical Data

Model	CFM	FPM	Throw	dBA	H ₂ O Conn.	Cond. Drain
CCP12	350	290	12.4ft	46.3	1/2" ID	1/2" ID
CCP24	650	430	18.6ft	50.8	5/8" ID	5/8" ID
CCP30	800	533	18.6ft	56.0	3/4" ID	5/8" ID
CCP48	1200	500	19.0	64.2	3/4" ID	5/8" ID

* Dry Coil @ 230v on High Fan speed

NOTICE: Due to ongoing product development; design, specification and performance data listed within this submittal document are subject to change without notice. For the most current unit/system performance data, please refer to the product literature on our website, www.enviromaster.com, or consult the factory.

CCP12D Ceiling-Suspended Air Handler Performance Data Tables

Entering Water Temp	CFM	80° F DB / 67° F WB							
		Total Capacity (Btuh)	Sensible Capacity (Btuh)	Water Flow Rate (GPM)	Pressure Drop (Ft)	Leaving Air Temp		Leaving Water Temp (°F)	ΔT (°F)
	Low					High	DB °F		
40°F	300	18,200	11,200	6.0	26.3	45.1	44.5	46.0	6.0
	350	21,400	13,300	7.2	36.6	45.7	45.0	46.0	6.0
	300	16,500	10,400	4.2	13.1	47.6	46.9	48.0	8.0
	350	19,600	12,500	5.0	18.0	47.9	47.2	48.0	8.0
	300	14,800	9,700	3.0	7.1	50.1	49.4	50.0	10.0
	350	17,000	11,300	3.4	9.1	50.7	50.0	50.0	10.0
	300	13,200	9,000	2.2	3.9	52.4	51.7	52.0	12.0
	350	15,600	10,600	2.6	5.5	52.6	51.9	52.0	12.0
	300	11,300	8,200	1.7	2.0	54.7	54.0	54.0	14.0
	350	10,900	9,800	1.9	2.9	54.9	54.2	54.0	14.0
41°F	300	17,400	10,800	5.8	24.5	46.0	45.5	47.0	6.0
	350	20,200	12,900	6.9	34.1	46.7	46.0	47.0	6.0
	300	15,800	10,000	4.0	12.1	48.7	47.9	49.0	8.0
	350	18,700	12,100	4.8	16.6	48.9	48.2	49.0	8.0
	300	13,900	9,300	2.9	6.4	51.3	50.6	51.0	10.0
	350	16,100	10,900	3.2	8.0	51.9	51.3	51.0	10.0
	300	12,400	8,600	2.1	3.5	53.3	52.6	53.0	12.0
	350	14,400	10,100	2.4	4.7	53.7	53.1	53.0	12.0
	300	11,500	8,700	1.7	2.1	55.6	54.9	55.0	14.0
	350	10,200	9,400	1.8	2.5	55.8	55.1	55.0	14.0
42°F	300	16,700	10,500	5.6	22.7	47.0	46.5	48.0	6.0
	350	19,800	12,600	6.7	31.6	47.7	47.0	48.0	6.0
	300	15,100	9,800	3.8	11.1	49.7	49.0	50.0	8.0
	350	17,900	11,600	4.5	15.3	49.9	49.3	50.0	8.0
	300	13,300	9,000	2.7	5.8	52.3	51.6	52.0	10.0
	350	15,300	10,500	3.0	7.2	53.0	52.3	52.0	10.0
	300	11,400	8,200	2.0	3.0	54.5	53.9	54.0	12.0
	350	13,800	9,900	2.3	4.3	54.4	53.7	54.0	12.0
	300	11,000	8,400	1.6	1.9	56.2	55.3	56.0	14.0
	350	9,800	9,200	1.7	2.3	56.3	55.6	56.0	14.0
43°F	300	15,200	9,800	4.2	13.7	53.4	53.3	49.0	6.0
	350	18,000	11,600	5.1	19.4	53.8	53.7	49.0	6.0
	300	13,700	9,100	2.8	6.5	55.5	55.3	51.0	8.0
	350	16,300	10,900	3.3	8.8	55.9	55.8	51.0	8.0
	300	12,400	8,500	2.0	3.3	57.6	57.5	53.0	10.0
	350	14,700	10,100	2.1	3.6	57.9	57.8	53.0	10.0
	300	11,000	8,000	1.3	1.4	59.6	59.4	55.0	12.0
	350	12,700	9,300	1.7	2.4	58.9	58.7	55.0	12.0
	300	8,100	6,400	1.1	0.9	61.6	61.1	57.0	14.0
	350	11,200	8,600	1.2	1.0	60.9	60.4	57.0	14.0

NOTICE: Due to ongoing product development; design, specification and performance data listed within this submittal document are subject to change without notice. For the most current unit/system performance data, please refer to the product literature on our website, www.enviromaster.com, or consult the factory.

CCP12D Ceiling-Suspended Air Handler Performance Data Tables - Continued

Entering Water Temp	CFM	80° F DB / 67° F WB - Continued							
	Low	Total Capacity (Btuh)	Sensible Capacity (Btuh)	Water Flow Rate (GPM)	Pressure Drop (Ft)	Leaving Air Temp		Leaving Water Temp (°F)	ΔT (°F)
	High					DB °F	WB °F		
44°F	300	14,500	9,600	4.9	18.0	50.3	50.2	50.0	6.0
	350	17,200	11,300	5.8	25.3	50.4	50.4	50.0	6.0
	300	13,000	8,800	3.3	8.8	52.3	52.3	52.0	8.0
	350	15,500	10,500	3.9	12.0	52.5	52.5	52.0	8.0
	300	11,700	8,200	2.4	4.7	54.4	54.3	54.0	10.0
	350	13,900	9,800	2.8	6.5	54.6	54.4	54.0	10.0
	300	10,000	7,600	1.7	2.2	56.6	56.7	56.0	12.0
	350	11,800	9,000	2.0	3.3	56.8	56.8	56.0	12.0
	300	8,300	6,800	1.2	1.1	59.3	59.1	58.0	14.0
	350	10,500	8,300	1.5	1.7	58.9	58.4	58.0	14.0
45°F	300	13,900	9,200	4.6	16.4	51.3	51.2	51.0	6.0
	350	16,400	11,000	5.6	23.1	51.5	51.4	51.0	6.0
	300	12,400	8,600	3.1	8.0	53.3	53.2	53.0	8.0
	350	14,700	10,100	3.7	10.8	53.6	53.6	53.0	8.0
	300	10,900	7,900	2.2	4.1	55.5	55.4	55.0	10.0
	350	12,400	9,300	2.5	5.1	55.7	55.6	55.0	10.0
	300	9,500	7,300	1.6	1.9	57.5	57.4	57.0	12.0
	350	11,400	8,800	1.9	3.0	57.4	57.3	57.0	12.0
	300	7,700	6,600	1.1	1.0	60.0	59.7	59.0	14.0
	350	9,700	8,100	1.4	1.4	59.5	59.1	59.0	14.0
50°F	300	9,600	7,100	3.2	8.2	55.9	55.8	56.0	6.0
	350	12,200	9,100	4.2	13.3	56.6	56.5	56.0	6.0
	300	9,000	7,200	2.3	4.4	57.9	57.9	58.0	8.0
	350	10,400	8,400	2.6	5.7	58.7	58.7	58.0	8.0
	300	7,400	6,400	1.5	2.0	60.3	59.9	60.0	10.0
	350	8,900	7,700	1.8	2.7	60.2	59.7	60.0	10.0
	300	5,800	5,400	1.0	0.7	63.5	61.6	62.0	12.0
	350	6,900	6,500	1.2	1.0	63.3	61.6	62.0	12.0
	300	4,300	4,300	0.6	0.3	67.3	63.2	64.0	14.0
	350	6,100	5,700	0.9	0.6	65.7	62.3	64.0	14.0

CCP12D Propylene Glycol Solution Corrections (40°F EWT)				
Propylene Glycol %	Capacity Factor	Freezing Point (°F)	Tubeside Pressure Increase = 100% Capacity Factor	GPM Adjustment = 100% Capacity Factor
10%	0.83	26	2.2	1.8
20%	0.74	18	3.4	2.2
30%	0.64	7	6.1	3.1
40%	0.61	-8	12.0	4.5
50%	0.59	-29	26.4	6.3

NOTICE: Due to ongoing product development; design, specification and performance data listed within this submittal document are subject to change without notice. For the most current unit/system performance data, please refer to the product literature on our website, www.enviromaster.com, or consult the factory.

CCP12D Ceiling-Suspended Air Handler Performance Data Tables - Continued

Entering Water Temp	CFM	75° F DB / 62.55° F WB							
		Total Capacity (Btuh)	Sensible Capacity (Btuh)	Water Flow Rate (GPM)	Pressure Drop (Ft)	Leaving Air Temp		Leaving Water Temp (°F)	ΔT (°F)
	Low					High	DB °F		
40°F	300	12,000	9,000	4.0	12.3	47.1	46.9	46.0	6.0
	350	14,200	10,600	4.8	16.6	47.5	47.3	46.0	6.0
	300	10,800	8,400	2.7	5.8	49.3	49.1	48.0	8.0
	350	12,700	9,900	3.2	7.7	49.6	49.4	48.0	8.0
	300	9,500	7,800	1.9	2.9	51.3	51.1	50.0	10.0
	350	11,100	9,000	2.2	4.0	51.5	51.3	50.0	10.0
	300	8,400	7,300	1.4	1.4	53.2	53.0	52.0	12.0
	350	10,000	8,700	1.7	2.1	53.3	53.1	52.0	12.0
	300	7,100	6,500	1.1	0.8	55.6	55.0	54.0	14.0
	350	7,900	7,500	1.1	0.9	56.8	55.7	54.0	14.0
41°F	300	11,400	8,600	3.8	11.1	48.1	48.0	47.0	6.0
	350	13,400	10,200	4.5	15.0	48.6	48.4	47.0	6.0
	300	10,100	8,000	2.6	5.2	50.3	50.1	49.0	8.0
	350	11,900	9,500	3.0	6.9	50.7	50.5	49.0	8.0
	300	8,800	7,500	1.8	2.5	52.3	52.1	51.0	10.0
	350	10,800	9,000	2.2	3.9	52.1	51.9	51.0	10.0
	300	7,800	6,900	1.3	1.2	54.1	53.7	53.0	12.0
	350	9,300	8,400	1.6	1.8	54.2	53.8	53.0	12.0
	300	6,600	6,300	1.0	0.7	56.4	55.6	55.0	14.0
	350	7,400	7,200	1.1	0.8	57.6	56.2	55.0	14.0
42°F	300	10,800	8,400	3.6	10.1	49.2	49.0	48.0	6.0
	350	12,800	9,900	4.3	13.6	49.6	49.4	48.0	6.0
	300	9,500	7,800	2.4	4.6	51.4	51.2	50.0	8.0
	350	11,200	9,200	2.8	6.1	51.8	51.5	50.0	8.0
	300	8,300	7,200	1.7	2.3	53.1	52.9	52.0	10.0
	350	10,100	8,700	2.1	3.4	52.9	52.7	52.0	10.0
	300	7,300	6,800	1.2	1.0	54.7	54.3	54.0	12.0
	350	8,700	8,200	1.5	1.6	54.8	54.5	54.0	12.0
	300	5,600	5,600	0.8	0.5	58.5	56.8	56.0	14.0
	350	7,100	7,000	1.0	0.8	58.3	56.5	56.0	14.0
43°F	300	9,700	7,700	2.6	5.4	54.3	53.3	49.0	6.0
	350	11,700	9,300	3.1	7.5	54.5	53.5	49.0	6.0
	300	8,900	7,300	1.8	2.7	55.6	54.4	51.0	8.0
	350	10,600	8,800	2.1	3.6	55.8	54.7	51.0	8.0
	300	8,000	7,000	1.2	1.1	57.4	56.0	53.0	10.0
	350	9,300	8,200	1.3	1.4	57.4	56.4	53.0	10.0
	300	6,500	6,200	0.9	0.5	60.4	57.3	55.0	12.0
	350	8,000	7,500	1.0	0.8	59.9	57.1	55.0	12.0
	300	6,300	6,200	0.6	0.4	61.2	57.4	57.0	14.0
	350	6,500	6,500	0.8	0.4	62.8	58.1	57.0	14.0

NOTICE: Due to ongoing product development; design, specification and performance data listed within this submittal document are subject to change without notice. For the most current unit/system performance data, please refer to the product literature on our website, www.enviromaster.com, or consult the factory.

CCP12D Ceiling-Suspended Air Handler Performance Data Tables - Continued

Entering Water Temp	CFM		75° F DB / 62.55° F WB - Continued						
	Low	Total Capacity (Btuh)	Sensible Capacity (Btuh)	Water Flow Rate (GPM)	Pressure Drop (Ft)	Leaving Air Temp		Leaving Water Temp (°F)	ΔT (°F)
	High					DB °F	WB °F		
44°F	300	9,200	7,500	3.0	7.4	51.5	50.4	50.0	6.0
	350	11,000	9,000	3.7	10.7	51.6	50.5	50.0	6.0
	300	8,300	7,000	2.1	3.9	53.0	52.0	52.0	8.0
	350	9,800	8,400	2.5	5.2	53.2	52.2	52.0	8.0
	300	7,300	6,600	1.5	1.7	55.0	53.7	54.0	10.0
	350	8,600	7,800	1.8	2.5	55.1	54.2	54.0	10.0
	300	6,000	5,900	1.1	0.8	57.5	55.6	56.0	12.0
	350	7,400	7,200	1.3	1.2	57.1	55.4	56.0	12.0
	300	6,000	5,800	0.9	0.7	59.5	56.7	58.0	14.0
	350	6,100	6,200	0.9	0.6	60.3	57.1	58.0	14.0
45°F	300	8,700	7,300	2.9	6.7	52.4	51.4	51.0	6.0
	350	10,400	8,700	3.5	9.5	52.5	51.5	51.0	6.0
	300	7,900	6,900	2.0	3.5	53.8	52.7	53.0	8.0
	350	9,300	8,200	2.4	4.7	54.0	52.9	53.0	8.0
	300	6,900	6,400	1.4	1.5	55.6	54.4	55.0	10.0
	350	7,800	7,300	1.6	2.0	55.8	54.9	55.0	10.0
	300	5,700	5,600	1.0	0.7	58.6	56.1	57.0	12.0
	350	7,000	6,900	1.2	1.1	58.1	55.9	57.0	12.0
	300	5,300	5,200	0.8	0.5	59.9	56.9	59.0	14.0
	350	5,900	5,900	0.8	0.5	61.1	57.4	59.0	14.0
50°F	300	6,200	6,100	2.0	3.5	56.7	55.4	56.0	6.0
	350	7,300	7,200	2.4	4.9	57.1	55.8	56.0	6.0
	300	5,300	5,500	1.4	1.7	58.5	56.6	58.0	8.0
	350	6,400	6,600	1.6	2.2	58.6	56.6	58.0	8.0
	300	4,800	4,900	1.0	0.7	60.5	57.0	60.0	10.0
	350	5,600	5,800	1.2	1.0	60.7	57.7	60.0	10.0
	300	3,500	3,700	0.6	0.3	65.2	58.9	62.0	12.0
	350	4,600	4,800	0.8	0.5	63.9	58.5	62.0	12.0
	300	3,900	3,800	0.6	0.3	64.7	58.7	64.0	14.0
	350	4,000	4,100	0.6	0.3	65.9	59.3	64.0	14.0

CCP12D Propylene Glycol Solution Corrections (44°F EWT)				
Propylene Glycol %	Capacity Factor	Freezing Point (°F)	Tubeside Pressure Increase = 100% Capacity Factor	GPM Adjustment = 100% Capacity Factor
10%	0.81	26	2.24	1.83
20%	0.74	18	3.45	2.30
30%	0.66	7	6.26	3.17
40%	0.62	-8	11.68	4.12
50%	0.61	-29	25.50	5.54

NOTICE: Due to ongoing product development; design, specification and performance data listed within this submittal document are subject to change without notice. For the most current unit/system performance data, please refer to the product literature on our website, www.enviromaster.com, or consult the factory.

CCP12D Ceiling-Suspended Air Handler Performance Data Tables - Continued

Entering Water Temp	CFM	72° F DB / 60.1° F WB							
		Total Capacity (Btuh)	Sensible Capacity (Btuh)	Water Flow Rate (GPM)	Pressure Drop (Ft)	Leaving Air Temp		Leaving Water Temp (°F)	ΔT (°F)
	Low					High	DB °F		
40°F	300	10,000	7,900	3.3	9.2	47.4	46.9	46.0	6.0
	350	12,000	9,400	4.0	13.2	47.6	47.1	46.0	6.0
	300	8,800	7,300	2.2	4.4	49.5	49.0	48.0	8.0
	350	10,500	8,700	2.7	6.0	49.6	49.1	48.0	8.0
	300	7,800	6,800	1.6	2.0	51.2	50.7	50.0	10.0
	350	8,900	7,900	1.8	2.7	51.4	50.9	50.0	10.0
	300	6,400	6,000	1.1	0.9	54.0	53.2	52.0	12.0
	350	8,100	7,500	1.4	1.4	53.4	52.6	52.0	12.0
	300	5,800	5,700	0.8	0.7	55.4	53.9	54.0	14.0
	350	6,600	6,500	0.9	0.7	56.5	54.9	54.0	14.0
41°F	300	9,700	7,500	3.2	8.3	48.2	47.9	47.0	6.0
	350	11,500	8,900	3.8	11.8	48.6	48.2	47.0	6.0
	300	8,400	6,700	2.1	3.9	50.5	50.0	49.0	8.0
	350	10,200	8,200	2.5	5.4	50.3	50.0	49.0	8.0
	300	7,500	6,400	1.5	1.7	52.1	51.4	51.0	10.0
	350	8,900	7,600	1.8	2.6	52.2	51.6	51.0	10.0
	300	6,000	5,600	1.0	0.8	54.9	53.9	53.0	12.0
	350	7,700	6,900	1.3	1.2	54.2	53.3	53.0	12.0
	300	5,500	5,400	0.7	0.7	56.2	54.3	55.0	14.0
	350	6,300	6,000	0.9	0.7	57.3	55.3	55.0	14.0
42°F	300	9,300	7,000	3.0	7.5	49.2	48.8	48.0	6.0
	350	11,000	8,300	3.6	10.5	49.6	49.2	48.0	6.0
	300	8,100	6,400	2.0	3.5	51.4	50.8	50.0	8.0
	350	9,700	7,600	2.3	4.7	51.4	50.9	50.0	8.0
	300	7,200	5,900	1.4	1.5	52.7	52.0	52.0	10.0
	350	8,600	7,100	1.6	2.2	52.9	52.3	52.0	10.0
	300	5,800	5,200	1.0	0.7	55.9	54.4	54.0	12.0
	350	7,000	6,100	1.1	1.0	55.9	54.2	54.0	12.0
	300	5,200	5,000	0.7	0.6	57.2	54.7	56.0	14.0
	350	5,900	5,800	0.8	0.6	58.1	55.6	56.0	14.0
43°F	300	8,200	7,400	2.3	4.6	53.1	51.9	49.0	6.0
	350	9,800	8,900	2.7	6.0	53.5	52.3	49.0	6.0
	300	7,200	7,200	1.4	1.6	55.1	53.7	51.0	8.0
	350	8,500	8,300	1.7	2.6	55.0	53.5	51.0	8.0
	300	6,100	6,100	1.0	0.8	57.2	54.6	53.0	10.0
	350	7,400	7,400	1.1	0.8	57.0	54.7	53.0	10.0
	300	6,100	6,100	0.7	0.4	61.2	56.1	55.0	12.0
	350	6,300	6,400	0.8	0.6	60.4	55.8	55.0	12.0
	300	5,200	5,100	0.6	0.4	60.8	55.8	57.0	14.0
	350	5,300	5,300	0.6	0.4	63.0	56.9	57.0	14.0

NOTICE: Due to ongoing product development; design, specification and performance data listed within this submittal document are subject to change without notice. For the most current unit/system performance data, please refer to the product literature on our website, www.enviromaster.com, or consult the factory.

CCP12D Ceiling-Suspended Air Handler Performance Data Tables - Continued

Entering Water Temp	CFM	72° F DB / 62.55° F WB - Continued							
	Low	Total Capacity (Btuh)	Sensible Capacity (Btuh)	Water Flow Rate (GPM)	Pressure Drop (Ft)	Leaving Air Temp		Leaving Water Temp (°F)	ΔT (°F)
	High					DB °F	WB °F		
44°F	300	8,000	6,900	2.8	6.5	50.6	49.5	50.0	6.0
	350	9,400	8,400	3.2	8.7	50.7	49.7	50.0	6.0
	300	6,800	6,600	1.8	2.5	52.4	51.3	52.0	8.0
	350	8,200	7,800	2.1	4.1	52.6	51.4	52.0	8.0
	300	5,900	5,800	1.2	1.2	54.7	53.0	54.0	10.0
	350	7,100	6,900	1.5	1.8	54.6	53.0	54.0	10.0
	300	5,200	5,200	0.9	0.6	56.8	54.1	56.0	12.0
	350	6,000	6,000	1.0	0.8	57.5	54.6	56.0	12.0
	300	4,800	4,700	0.7	0.5	58.3	54.7	58.0	14.0
	350	4,900	5,000	0.7	0.5	60.1	55.9	58.0	14.0
45°F	300	7,700	6,600	2.6	5.8	51.4	50.3	51.0	6.0
	350	9,100	7,900	3.0	7.7	51.6	50.5	51.0	6.0
	300	6,700	6,100	1.6	2.2	53.2	52.0	53.0	8.0
	350	8,000	7,300	2.0	3.5	53.3	52.1	53.0	8.0
	300	5,700	5,400	1.1	1.0	55.5	53.5	55.0	10.0
	350	6,400	6,300	1.3	1.3	55.4	53.5	55.0	10.0
	300	4,900	4,900	0.9	0.6	57.7	54.5	57.0	12.0
	350	5,600	5,600	1.0	0.7	58.4	54.9	57.0	12.0
	300	4,600	4,500	0.7	0.4	59.1	55.1	59.0	14.0
	350	4,700	4,700	0.7	0.4	61.1	56.2	59.0	14.0
50°F	300	5,300	5,300	1.8	2.9	55.7	53.9	56.0	6.0
	350	6,200	6,400	2.1	3.8	56.1	54.2	56.0	6.0
	300	4,600	4,600	1.1	1.0	58.4	54.8	58.0	8.0
	350	5,600	5,500	1.4	1.6	58.2	54.7	58.0	8.0
	300	3,400	3,200	0.7	0.3	62.6	56.4	60.0	10.0
	350	4,300	4,200	0.9	0.7	62.0	56.2	60.0	10.0
	300	3,300	3,300	0.6	0.3	62.0	56.2	62.0	12.0
	350	3,800	3,900	0.7	0.4	63.1	56.8	62.0	12.0
	300	2,900	2,900	0.5	0.2	63.1	56.6	64.0	14.0
	350	3,000	3,100	0.5	0.2	65.6	57.9	64.0	14.0

CCP12D Propylene Glycol Solution Corrections (50°F EWT)				
Propylene Glycol %	Capacity Factor	Freezing Point (°F)	Tubeside Pressure Increase = 100% Capacity Factor	GPM Adjustment = 100% Capacity Factor
10%	0.82	26	2.26	1.83
20%	0.71	18	3.30	1.95
30%	0.72	7	5.51	2.14
40%	0.70	-8	9.88	2.54
50%	0.69	-29	21.66	3.46

NOTICE: Due to ongoing product development; design, specification and performance data listed within this submittal document are subject to change without notice. For the most current unit/system performance data, please refer to the product literature on our website, www.enviromaster.com, or consult the factory.

CCP24D Ceiling-Suspended Air Handler Performance Data Tables

Entering Water Temp	CFM		80° F DB / 67° F WB							
	Low	High	Total Capacity (Btuh)	Sensible Capacity (Btuh)	Water Flow Rate (GPM)	Pressure Drop (Ft)	Leaving Air Temp		Leaving Water Temp (°F)	ΔT (°F)
							DB °F	WB °F		
40°F	760	800	33,200	21,400	11.0	48.0	49.4	48.4	46.0	6.0
	800	760	39,200	25,500	13.1	66.7	50.0	49.0	46.0	6.0
	760	800	30,200	19,900	7.6	24.0	52.1	51.0	48.0	8.0
	800	760	35,800	23,800	9.0	32.9	52.4	51.4	48.0	8.0
	760	800	27,100	18,500	5.5	12.9	54.8	53.7	50.0	10.0
	800	760	31,100	21,600	6.2	16.6	55.5	54.4	50.0	10.0
	760	800	24,100	17,200	4.1	7.1	57.4	56.2	52.0	12.0
	800	760	28,500	20,300	4.8	10.0	57.6	56.5	52.0	12.0
	760	800	20,700	15,700	3.0	3.7	59.9	58.7	54.0	14.0
	800	760	20,000	18,600	3.5	5.2	60.1	59.0	54.0	14.0
41°F	760	800	31,800	20,700	10.6	44.7	50.4	49.5	47.0	6.0
	800	760	36,900	24,700	12.6	62.2	51.1	50.1	47.0	6.0
	760	800	28,800	19,200	7.3	22.1	53.3	52.1	49.0	8.0
	800	760	34,300	23,100	8.7	30.4	53.5	52.5	49.0	8.0
	760	800	25,500	17,700	5.2	11.7	56.2	55.1	51.0	10.0
	800	760	29,500	20,900	5.8	14.5	56.9	55.8	51.0	10.0
	760	800	22,700	16,400	3.9	6.4	58.4	57.2	53.0	12.0
	800	760	26,400	19,400	4.4	8.6	58.8	57.7	53.0	12.0
	760	800	21,100	16,600	3.1	3.9	60.9	59.7	55.0	14.0
	800	760	18,600	17,900	3.3	4.5	61.1	59.9	55.0	14.0
42°F	760	800	30,600	20,100	10.2	41.4	51.5	50.6	48.0	6.0
	800	760	36,200	24,000	12.2	57.6	52.2	51.2	48.0	6.0
	760	800	27,600	18,600	7.0	20.2	54.4	53.3	50.0	8.0
	800	760	32,700	22,200	8.3	27.8	54.7	53.7	50.0	8.0
	760	800	24,200	17,200	4.9	10.6	57.3	56.2	52.0	10.0
	800	760	27,900	20,100	5.5	13.1	58.0	56.9	52.0	10.0
	760	800	20,900	15,700	3.6	5.5	59.7	58.6	54.0	12.0
	800	760	25,300	18,800	4.3	7.9	59.6	58.4	54.0	12.0
	760	800	20,200	16,100	2.9	3.5	61.5	60.2	56.0	14.0
	800	760	17,900	17,500	3.2	4.1	61.7	60.4	56.0	14.0
43°F	760	800	29,100	19,500	7.9	26.3	56.5	55.3	49.0	6.0
	800	760	34,400	23,300	9.5	37.3	56.8	55.7	49.0	6.0
	760	800	26,200	18,200	5.3	12.6	58.7	57.4	51.0	8.0
	800	760	31,200	21,800	6.3	17.0	59.1	57.9	51.0	8.0
	760	800	23,700	16,900	3.7	6.3	60.9	59.7	53.0	10.0
	800	760	28,100	20,300	4.0	6.9	61.3	60.0	53.0	10.0
	760	800	21,100	16,000	2.5	2.7	63.0	61.7	55.0	12.0
	800	760	24,200	18,600	3.3	4.6	62.3	60.9	55.0	12.0
	760	800	15,400	12,800	2.0	1.7	65.1	63.5	57.0	14.0
	800	760	21,400	17,100	2.3	2.0	64.4	62.7	57.0	14.0

NOTICE: Due to ongoing product development; design, specification and performance data listed within this submittal document are subject to change without notice. For the most current unit/system performance data, please refer to the product literature on our website, www.enviromaster.com, or consult the factory.

CCP24D Ceiling-Suspended Air Handler Performance Data Tables - Continued

Entering Water Temp	CFM	80° F DB / 67° F WB - Continued							
	Low	Total Capacity (Btuh)	Sensible Capacity (Btuh)	Water Flow Rate (GPM)	Pressure Drop (Ft)	Leaving Air Temp		Leaving Water Temp (°F)	ΔT (°F)
	High					DB °F	WB °F		
44°F	760	27,700	19,200	9.1	34.7	53.2	52.1	50.0	6.0
	800	32,800	22,500	11.0	48.7	53.2	52.3	50.0	6.0
	760	24,900	17,700	6.2	16.9	55.3	54.3	52.0	8.0
	800	29,700	21,000	7.4	23.1	55.5	54.5	52.0	8.0
	760	22,300	16,400	4.5	9.1	57.5	56.3	54.0	10.0
	800	26,500	19,500	5.3	12.5	57.7	56.4	54.0	10.0
	760	19,100	15,300	3.2	4.2	59.9	58.9	56.0	12.0
	800	22,600	18,000	3.8	6.4	60.1	59.0	56.0	12.0
	760	15,800	13,600	2.2	2.1	62.7	61.3	58.0	14.0
	800	20,000	16,600	2.8	3.2	62.3	60.6	58.0	14.0
45°F	760	26,500	18,400	8.7	31.5	54.2	53.1	51.0	6.0
	800	31,400	21,900	10.4	44.4	54.5	53.3	51.0	6.0
	760	23,700	17,100	5.9	15.3	56.4	55.3	53.0	8.0
	800	28,100	20,300	7.0	20.8	56.7	55.6	53.0	8.0
	760	20,900	15,800	4.2	8.0	58.7	57.5	55.0	10.0
	800	23,700	18,600	4.7	9.8	58.9	57.7	55.0	10.0
	760	18,100	14,700	3.0	3.7	60.9	59.6	57.0	12.0
	800	21,800	17,700	3.7	5.8	60.7	59.5	57.0	12.0
	760	14,700	13,200	2.1	1.8	63.5	62.0	59.0	14.0
	800	18,600	16,200	2.6	2.8	62.9	61.3	59.0	14.0
50°F	760	18,300	14,100	6.0	15.8	59.1	57.9	56.0	6.0
	800	23,300	18,200	7.8	25.6	59.8	58.6	56.0	6.0
	760	17,200	14,300	4.3	8.5	61.3	60.0	58.0	8.0
	800	19,800	16,700	5.0	10.9	62.1	61.0	58.0	8.0
	760	14,200	12,800	2.8	3.9	63.8	62.2	60.0	10.0
	800	17,000	15,400	3.4	5.2	63.6	61.9	60.0	10.0
	760	11,100	10,800	1.8	1.3	67.1	63.9	62.0	12.0
	800	13,200	13,000	2.2	2.0	66.9	63.9	62.0	12.0
	760	8,300	8,600	1.2	0.6	71.1	65.6	64.0	14.0
	800	11,600	11,300	1.6	1.2	69.5	64.6	64.0	14.0

CCP24D Propylene Glycol Solution Corrections (40°F EWT)				
Propylene Glycol %	Capacity Factor	Freezing Point (°F)	Tubeside Pressure Increase = 100% Capacity Factor	GPM Adjustment = 100% Capacity Factor
10%	0.82	26	1.9	1.5
20%	0.73	18	2.9	1.9
30%	0.63	7	5.3	2.6
40%	0.60	-8	10.3	3.9
50%	0.58	-29	22.6	5.4

NOTICE: Due to ongoing product development; design, specification and performance data listed within this submittal document are subject to change without notice. For the most current unit/system performance data, please refer to the product literature on our website, www.enviromaster.com, or consult the factory.

CCP24D Ceiling-Suspended Air Handler Performance Data Tables - Continued

Entering Water Temp	CFM		75° F DB / 62.55° F WB							
	Low	High	Total Capacity (Btuh)	Sensible Capacity (Btuh)	Water Flow Rate (GPM)	Pressure Drop (Ft)	Leaving Air Temp		Leaving Water Temp (°F)	ΔT (°F)
							DB °F	WB °F		
40°F	760	800	24,100	18,300	8.1	26.7	49.5	48.3	46.0	6.0
	800	760	28,400	21,600	9.5	36.0	49.9	48.7	46.0	6.0
	760	800	21,600	17,000	5.5	12.6	51.8	50.5	48.0	8.0
	800	760	25,500	20,100	6.3	16.8	52.1	50.9	48.0	8.0
	760	800	19,100	15,900	3.9	6.3	53.9	52.6	50.0	10.0
	800	760	22,300	18,300	4.4	8.7	54.1	52.8	50.0	10.0
	760	800	16,900	14,800	2.8	3.0	55.9	54.5	52.0	12.0
	800	760	20,000	17,700	3.3	4.5	56.0	54.6	52.0	12.0
	760	800	14,200	13,300	2.1	1.8	58.4	56.6	54.0	14.0
	800	760	15,800	15,300	2.3	2.0	59.6	57.3	54.0	14.0
41°F	760	800	22,800	17,600	7.7	24.2	50.6	49.5	47.0	6.0
	800	760	26,900	20,700	9.0	32.6	51.0	49.8	47.0	6.0
	760	800	20,400	16,300	5.2	11.3	52.9	51.6	49.0	8.0
	800	760	23,900	19,400	6.0	15.1	53.2	51.9	49.0	8.0
	760	800	17,700	15,200	3.6	5.5	55.0	53.6	51.0	10.0
	800	760	21,600	18,300	4.4	8.5	54.7	53.4	51.0	10.0
	760	800	15,600	14,000	2.6	2.6	56.8	55.3	53.0	12.0
	800	760	18,600	17,000	3.1	3.9	56.9	55.4	53.0	12.0
	760	800	13,200	12,800	2.0	1.5	59.3	57.2	55.0	14.0
	800	760	14,900	14,600	2.2	1.8	60.5	57.8	55.0	14.0
42°F	760	800	21,600	17,100	7.3	21.9	51.6	50.4	48.0	6.0
	800	760	25,600	20,200	8.6	29.5	52.1	50.9	48.0	6.0
	760	800	19,100	15,800	4.8	10.0	54.0	52.7	50.0	8.0
	800	760	22,500	18,700	5.6	13.3	54.4	53.0	50.0	8.0
	760	800	16,700	14,700	3.4	4.9	55.8	54.5	52.0	10.0
	800	760	20,200	17,700	4.1	7.4	55.6	54.3	52.0	10.0
	760	800	14,700	13,800	2.5	2.2	57.5	55.9	54.0	12.0
	800	760	17,400	16,600	2.9	3.4	57.6	56.1	54.0	12.0
	760	800	11,200	11,400	1.7	1.1	61.5	58.4	56.0	14.0
	800	760	14,200	14,200	2.1	1.7	61.2	58.2	56.0	14.0
43°F	760	800	19,500	15,800	5.0	12.1	56.4	54.3	49.0	6.0
	800	760	23,300	19,000	5.9	16.9	56.6	54.5	49.0	6.0
	760	800	17,800	14,900	3.5	6.1	57.8	55.4	51.0	8.0
	800	760	21,100	17,900	4.0	8.2	58.0	55.7	51.0	8.0
	760	800	15,900	14,200	2.4	2.4	59.6	57.1	53.0	10.0
	800	760	18,600	16,700	2.6	3.1	59.7	57.4	53.0	10.0
	760	800	12,900	12,600	1.7	1.1	62.7	58.3	55.0	12.0
	800	760	15,900	15,300	2.0	1.8	62.3	58.1	55.0	12.0
	760	800	12,600	12,600	1.2	0.9	63.6	58.4	57.0	14.0
	800	760	13,100	13,300	1.5	1.0	65.3	59.2	57.0	14.0

NOTICE: Due to ongoing product development; design, specification and performance data listed within this submittal document are subject to change without notice. For the most current unit/system performance data, please refer to the product literature on our website, www.enviromaster.com, or consult the factory.

CCP24D Ceiling-Suspended Air Handler Performance Data Tables - Continued

Entering Water Temp	CFM		75° F DB / 62.55° F WB - Continued							
	Low	High	Total Capacity (Btuh)	Sensible Capacity (Btuh)	Water Flow Rate (GPM)	Pressure Drop (Ft)	Leaving Air Temp		Leaving Water Temp (°F)	ΔT (°F)
							DB °F	WB °F		
44°F	760	800	18,500	15,300	5.9	16.7	53.5	51.4	50.0	6.0
	800	760	22,000	18,300	7.1	24.0	53.6	51.5	50.0	6.0
	760	800	16,600	14,400	4.2	8.7	55.0	53.0	52.0	8.0
	800	760	19,600	17,200	4.8	11.7	55.3	53.2	52.0	8.0
	760	800	14,600	13,500	3.0	3.8	57.1	54.7	54.0	10.0
	800	760	17,300	16,000	3.5	5.6	57.3	55.2	54.0	10.0
	760	800	12,100	12,100	2.1	1.7	59.8	56.7	56.0	12.0
	800	760	14,800	14,700	2.4	2.8	59.4	56.4	56.0	12.0
	760	800	12,100	11,900	1.7	1.5	61.9	57.7	58.0	14.0
	800	760	12,200	12,600	1.7	1.3	62.6	58.1	58.0	14.0
45°F	760	800	17,400	14,900	5.5	15.0	54.5	52.3	51.0	6.0
	800	760	20,800	17,700	6.7	21.3	54.6	52.4	51.0	6.0
	760	800	15,800	14,000	3.9	7.8	55.9	53.7	53.0	8.0
	800	760	18,600	16,700	4.6	10.5	56.1	53.9	53.0	8.0
	760	800	13,800	13,100	2.8	3.3	57.8	55.4	55.0	10.0
	800	760	15,600	14,900	3.1	4.5	58.0	55.9	55.0	10.0
	760	800	11,400	11,500	2.0	1.5	60.9	57.2	57.0	12.0
	800	760	13,900	14,000	2.3	2.4	60.4	57.0	57.0	12.0
	760	800	10,600	10,600	1.5	1.2	62.3	57.9	59.0	14.0
	800	760	11,700	12,100	1.6	1.2	63.5	58.4	59.0	14.0
50°F	760	800	12,400	12,400	4.0	7.9	58.9	56.4	56.0	6.0
	800	760	14,600	14,700	4.7	10.9	59.3	56.9	56.0	6.0
	760	800	10,600	11,200	2.7	3.8	60.8	57.6	58.0	8.0
	800	760	12,700	13,500	3.1	4.9	60.9	57.6	58.0	8.0
	760	800	9,600	9,900	1.9	1.5	62.9	58.0	60.0	10.0
	800	760	11,200	11,900	2.3	2.2	63.1	58.7	60.0	10.0
	760	800	7,000	7,500	1.2	0.6	67.7	59.9	62.0	12.0
	800	760	9,200	9,800	1.5	1.2	66.4	59.5	62.0	12.0
	760	800	7,700	7,800	1.1	0.8	67.3	59.7	64.0	14.0
	800	760	8,100	8,300	1.1	0.7	68.5	60.4	64.0	14.0

CCP24D Propylene Glycol Solution Corrections (44°F EWT)				
Propylene Glycol %	Capacity Factor	Freezing Point (°F)	Tubeside Pressure Increase = 100% Capacity Factor	GPM Adjustment = 100% Capacity Factor
10%	0.81	26	1.92	1.57
20%	0.73	18	2.96	1.97
30%	0.65	7	5.36	2.72
40%	0.62	-8	10.00	3.52
50%	0.60	-29	21.83	4.74

NOTICE: Due to ongoing product development; design, specification and performance data listed within this submittal document are subject to change without notice. For the most current unit/system performance data, please refer to the product literature on our website, www.enviromaster.com, or consult the factory.

CCP24D Ceiling-Suspended Air Handler Performance Data Tables - Continued

Entering Water Temp	CFM	72° F DB / 60.1° F WB							
		Total Capacity (Btuh)	Sensible Capacity (Btuh)	Water Flow Rate (GPM)	Pressure Drop (Ft)	Leaving Air Temp		Leaving Water Temp (°F)	ΔT (°F)
	Low					High	DB °F		
40°F	760	20,000	16,200	6.7	20.5	49.3	48.0	46.0	6.0
	800	23,900	19,300	8.1	29.4	49.5	48.2	46.0	6.0
	760	17,600	14,900	4.5	9.8	51.5	50.2	48.0	8.0
	800	21,000	17,800	5.3	13.3	51.6	50.3	48.0	8.0
	760	15,600	14,000	3.3	4.4	53.3	51.9	50.0	10.0
	800	17,800	16,200	3.6	6.0	53.5	52.1	50.0	10.0
	760	12,700	12,400	2.2	2.0	56.2	54.5	52.0	12.0
	800	16,100	15,300	2.7	3.2	55.6	53.8	52.0	12.0
	760	11,700	11,600	1.5	1.6	57.7	55.2	54.0	14.0
	800	13,200	13,300	1.9	1.6	58.8	56.2	54.0	14.0
41°F	760	19,300	15,300	6.3	18.5	50.2	49.0	47.0	6.0
	800	23,100	18,200	7.6	26.3	50.5	49.3	47.0	6.0
	760	16,800	13,800	4.2	8.6	52.6	51.1	49.0	8.0
	800	20,300	16,700	5.0	11.9	52.4	51.1	49.0	8.0
	760	14,900	13,100	3.1	3.9	54.2	52.6	51.0	10.0
	800	17,800	15,700	3.5	5.8	54.4	52.8	51.0	10.0
	760	12,000	11,500	2.1	1.7	57.1	55.2	53.0	12.0
	800	15,400	14,200	2.6	2.7	56.4	54.5	53.0	12.0
	760	11,000	11,100	1.5	1.5	58.5	55.6	55.0	14.0
	800	12,500	12,400	1.8	1.4	59.6	56.6	55.0	14.0
42°F	760	18,600	14,400	6.0	16.6	51.2	50.0	48.0	6.0
	800	22,000	16,900	7.1	23.3	51.6	50.4	48.0	6.0
	760	16,300	13,100	3.9	7.7	53.5	52.0	50.0	8.0
	800	19,500	15,700	4.7	10.4	53.5	52.1	50.0	8.0
	760	14,400	12,200	2.8	3.3	54.9	53.2	52.0	10.0
	800	17,300	14,600	3.3	4.9	55.1	53.6	52.0	10.0
	760	11,500	10,700	1.9	1.5	58.2	55.7	54.0	12.0
	800	14,100	12,600	2.3	2.1	58.1	55.5	54.0	12.0
	760	10,300	10,200	1.4	1.3	59.5	56.0	56.0	14.0
	800	11,900	11,800	1.7	1.3	60.5	56.9	56.0	14.0
43°F	760	13,900	12,600	3.9	7.8	57.3	53.6	49.0	6.0
	800	16,500	15,300	4.5	10.1	57.6	54.1	49.0	6.0
	760	12,100	12,300	2.4	2.7	59.4	55.5	51.0	8.0
	800	14,300	14,300	2.9	4.3	59.3	55.3	51.0	8.0
	760	10,400	10,500	1.7	1.3	61.6	56.5	53.0	10.0
	800	12,400	12,800	1.8	1.3	61.4	56.6	53.0	10.0
	760	10,400	10,500	1.2	0.6	65.9	57.9	55.0	12.0
	800	10,700	11,000	1.4	1.0	65.1	57.6	55.0	12.0
	760	8,800	8,700	1.0	0.6	65.5	57.7	57.0	14.0
	800	8,900	9,200	1.0	0.6	67.9	58.8	57.0	14.0

NOTICE: Due to ongoing product development; design, specification and performance data listed within this submittal document are subject to change without notice. For the most current unit/system performance data, please refer to the product literature on our website, www.enviromaster.com, or consult the factory.

CCP24D Ceiling-Suspended Air Handler Performance Data Tables - Continued

Entering Water Temp	CFM	72° F DB / 62.55° F WB - Continued							
	Low	Total Capacity (Btuh)	Sensible Capacity (Btuh)	Water Flow Rate (GPM)	Pressure Drop (Ft)	Leaving Air Temp		Leaving Water Temp (°F)	ΔT (°F)
	High					DB °F	WB °F		
44°F	760	13,400	11,900	4.7	11.0	54.5	51.2	50.0	6.0
	800	15,900	14,400	5.5	14.8	54.6	51.4	50.0	6.0
	760	11,500	11,300	3.0	4.2	56.4	53.0	52.0	8.0
	800	13,900	13,400	3.6	6.9	56.7	53.1	52.0	8.0
	760	9,900	9,900	2.0	2.0	58.9	54.8	54.0	10.0
	800	12,000	11,900	2.5	3.1	58.8	54.8	54.0	10.0
	760	8,800	8,900	1.6	1.1	61.2	56.0	56.0	12.0
	800	10,100	10,200	1.7	1.4	62.0	56.5	56.0	12.0
	760	8,200	8,100	1.3	0.8	62.8	56.6	58.0	14.0
	800	8,300	8,600	1.3	0.8	64.8	57.7	58.0	14.0
45°F	760	13,000	11,300	4.4	9.8	55.4	52.0	51.0	6.0
	800	15,300	13,500	5.1	13.0	55.6	52.2	51.0	6.0
	760	11,200	10,500	2.8	3.7	57.3	53.7	53.0	8.0
	800	13,400	12,500	3.4	5.9	57.4	53.8	53.0	8.0
	760	9,600	9,300	1.9	1.7	59.8	55.3	55.0	10.0
	800	10,800	10,800	2.2	2.2	59.7	55.3	55.0	10.0
	760	8,300	8,400	1.5	1.0	62.2	56.4	57.0	12.0
	800	9,500	9,600	1.6	1.2	63.0	56.8	57.0	12.0
	760	7,700	7,700	1.2	0.7	63.7	57.0	59.0	14.0
	800	7,900	8,100	1.2	0.7	65.8	58.1	59.0	14.0
50°F	760	8,900	9,200	3.1	4.9	60.0	55.7	56.0	6.0
	800	10,500	11,000	3.5	6.4	60.5	56.0	56.0	6.0
	760	7,700	7,800	1.9	1.7	63.0	56.6	58.0	8.0
	800	9,500	9,500	2.4	2.8	62.8	56.5	58.0	8.0
	760	5,700	5,600	1.1	0.6	67.4	58.3	60.0	10.0
	800	7,300	7,200	1.5	1.2	66.8	58.1	60.0	10.0
	760	5,500	5,700	1.0	0.5	66.8	58.1	62.0	12.0
	800	6,400	6,600	1.1	0.7	68.0	58.7	62.0	12.0
	760	5,000	5,000	0.8	0.4	68.0	58.5	64.0	14.0
	800	5,100	5,300	0.8	0.4	70.7	59.9	64.0	14.0

CCP24D Propylene Glycol Solution Corrections (50°F EWT)				
Propylene Glycol %	Capacity Factor	Freezing Point (°F)	Tubeside Pressure Increase = 100% Capacity Factor	GPM Adjustment = 100% Capacity Factor
10%	0.81	26	1.93	1.56
20%	0.70	18	2.83	1.67
30%	0.72	7	4.72	1.83
40%	0.70	-8	8.46	2.17
50%	0.68	-29	18.55	2.96

NOTICE: Due to ongoing product development; design, specification and performance data listed within this submittal document are subject to change without notice. For the most current unit/system performance data, please refer to the product literature on our website, www.enviromaster.com, or consult the factory.

CCP30D Ceiling-Suspended Air Handler Performance Data Tables

Entering Water Temp	CFM	80° F DB / 67° F WB							
		Total Capacity (Btuh)	Sensible Capacity (Btuh)	Water Flow Rate (GPM)	Pressure Drop (Ft)	Leaving Air Temp		Leaving Water Temp (°F)	ΔT (°F)
	Low					High	DB °F		
40°F	760	42,700	25,900	14.2	87.8	44.9	44.7	46.0	6.0
	800	50,400	30,800	16.9	122.2	45.4	45.2	46.0	6.0
	760	38,900	24,100	9.8	43.9	47.3	47.1	48.0	8.0
	800	46,100	28,800	11.7	60.2	47.6	47.4	48.0	8.0
	760	34,800	22,300	7.1	23.6	49.8	49.6	50.0	10.0
	800	40,000	26,100	8.0	30.4	50.4	50.2	50.0	10.0
	760	31,000	20,700	5.3	12.9	52.1	51.9	52.0	12.0
	800	36,600	24,500	6.2	18.4	52.3	52.1	52.0	12.0
	760	26,700	19,000	3.9	6.8	54.4	54.2	54.0	14.0
	800	25,800	22,500	4.6	9.6	54.6	54.4	54.0	14.0
41°F	760	40,900	25,000	13.7	81.9	45.8	45.7	47.0	6.0
	800	47,500	29,900	16.3	113.9	46.4	46.2	47.0	6.0
	760	37,100	23,200	9.4	40.4	48.4	48.1	49.0	8.0
	800	44,100	27,900	11.2	55.6	48.6	48.4	49.0	8.0
	760	32,800	21,400	6.7	21.4	51.0	50.8	51.0	10.0
	800	38,000	25,200	7.5	26.6	51.6	51.5	51.0	10.0
	760	29,200	19,900	5.0	11.7	53.0	52.8	53.0	12.0
	800	33,900	23,400	5.7	15.8	53.4	53.3	53.0	12.0
	760	27,100	20,100	4.0	7.1	55.3	55.1	55.0	14.0
	800	24,000	21,600	4.3	8.2	55.5	55.3	55.0	14.0
42°F	760	39,300	24,300	13.1	75.8	46.8	46.7	48.0	6.0
	800	46,600	29,000	15.7	105.5	47.4	47.2	48.0	6.0
	760	35,500	22,500	9.0	37.1	49.4	49.2	50.0	8.0
	800	42,000	26,800	10.7	51.0	49.6	49.5	50.0	8.0
	760	31,200	20,700	6.4	19.3	52.0	51.8	52.0	10.0
	800	35,900	24,300	7.1	24.0	52.7	52.6	52.0	10.0
	760	26,900	19,000	4.6	10.0	54.2	54.1	54.0	12.0
	800	32,500	22,800	5.5	14.4	54.1	53.9	54.0	12.0
	760	26,000	19,400	3.8	6.5	55.9	55.6	56.0	14.0
	800	23,100	21,200	4.1	7.6	56.0	55.8	56.0	14.0
43°F	760	38,200	23,400	10.4	50.5	52.4	52.2	49.0	6.0
	800	45,200	27,900	12.6	71.5	52.8	52.5	49.0	6.0
	760	34,300	21,900	7.0	24.1	54.5	54.1	51.0	8.0
	800	41,000	26,100	8.3	32.6	54.9	54.6	51.0	8.0
	760	31,100	20,300	4.9	12.0	56.6	56.3	53.0	10.0
	800	36,900	24,300	5.2	13.3	56.9	56.6	53.0	10.0
	760	27,600	19,200	3.3	5.2	58.6	58.1	55.0	12.0
	800	31,800	22,300	4.3	8.8	57.8	57.4	55.0	12.0
	760	20,300	15,400	2.6	3.2	60.5	59.8	57.0	14.0
	800	28,100	20,500	3.0	3.8	59.8	59.1	57.0	14.0

NOTICE: Due to ongoing product development; design, specification and performance data listed within this submittal document are subject to change without notice. For the most current unit/system performance data, please refer to the product literature on our website, www.enviromaster.com, or consult the factory.

CCP30D Ceiling-Suspended Air Handler Performance Data Tables - Continued

Entering Water Temp	CFM	80° F DB / 67° F WB - Continued							
	Low	Total Capacity (Btuh)	Sensible Capacity (Btuh)	Water Flow Rate (GPM)	Pressure Drop (Ft)	Leaving Air Temp		Leaving Water Temp (°F)	ΔT (°F)
	High					DB °F	WB °F		
44°F	760	36,400	23,000	12.1	66.5	49.4	49.1	50.0	6.0
	800	43,100	27,000	14.5	93.3	49.5	49.3	50.0	6.0
	760	32,700	21,200	8.2	32.4	51.4	51.2	52.0	8.0
	800	38,900	25,200	9.7	44.4	51.6	51.4	52.0	8.0
	760	29,300	19,600	5.9	17.4	53.4	53.1	54.0	10.0
	800	34,800	23,400	7.0	24.0	53.6	53.2	54.0	10.0
	760	25,100	18,300	4.2	8.0	55.6	55.5	56.0	12.0
	800	29,700	21,600	5.0	12.2	55.8	55.6	56.0	12.0
	760	20,700	16,300	3.0	4.1	58.2	57.8	58.0	14.0
	800	26,300	19,800	3.7	6.2	57.8	57.1	58.0	14.0
45°F	760	34,800	22,100	11.5	60.5	50.4	50.1	51.0	6.0
	800	41,200	26,300	13.8	85.2	50.6	50.3	51.0	6.0
	760	31,100	20,500	7.8	29.4	52.4	52.1	53.0	8.0
	800	36,900	24,300	9.2	40.0	52.7	52.4	53.0	8.0
	760	27,400	19,000	5.5	15.3	54.5	54.2	55.0	10.0
	800	31,100	22,300	6.2	18.8	54.7	54.4	55.0	10.0
	760	23,700	17,600	3.9	7.1	56.5	56.2	57.0	12.0
	800	28,600	21,200	4.8	11.2	56.4	56.1	57.0	12.0
	760	19,400	15,800	2.8	3.5	58.9	58.4	59.0	14.0
	800	24,400	19,400	3.4	5.3	58.4	57.8	59.0	14.0
50°F	760	24,000	16,900	8.0	30.3	54.9	54.6	56.0	6.0
	800	30,600	21,900	10.3	49.1	55.5	55.3	56.0	6.0
	760	22,600	17,200	5.7	16.3	56.9	56.6	58.0	8.0
	800	26,000	20,100	6.5	20.9	57.7	57.5	58.0	8.0
	760	18,700	15,400	3.8	7.4	59.2	58.6	60.0	10.0
	800	22,300	18,500	4.5	10.0	59.1	58.4	60.0	10.0
	760	14,500	12,900	2.4	2.4	62.3	60.2	62.0	12.0
	800	17,300	15,600	3.0	3.8	62.1	60.2	62.0	12.0
	760	10,800	10,300	1.6	1.1	66.1	61.9	64.0	14.0
	800	15,200	13,600	2.2	2.3	64.5	60.9	64.0	14.0

CCP30D Propylene Glycol Solution Corrections (40°F EWT)				
Propylene Glycol %	Capacity Factor	Freezing Point (°F)	Tubeside Pressure Increase = 100% Capacity Factor	GPM Adjustment = 100% Capacity Factor
10%	0.92	26	1.37	1.12
20%	0.83	18	2.10	1.40
30%	0.74	7	3.82	1.93
40%	0.70	-8	7.12	2.51
50%	0.68	-29	15.54	3.38

NOTICE: Due to ongoing product development; design, specification and performance data listed within this submittal document are subject to change without notice. For the most current unit/system performance data, please refer to the product literature on our website, www.enviromaster.com, or consult the factory.

CCP30D Ceiling-Suspended Air Handler Performance Data Tables - Continued

Entering Water Temp	CFM		75° F DB / 62.55° F WB						
	Low	Total Capacity (Btuh)	Sensible Capacity (Btuh)	Water Flow Rate (GPM)	Pressure Drop (Ft)	Leaving Air Temp		Leaving Water Temp (°F)	ΔT (°F)
	High					DB °F	WB °F		
40°F	760	32,000	22,400	11.0	54.9	45.3	45.0	46.0	6.0
	800	37,900	26,500	13.0	74.1	45.7	45.4	46.0	6.0
	760	28,800	20,800	7.4	25.9	47.4	47.1	48.0	8.0
	800	33,900	24,700	8.6	34.6	47.7	47.4	48.0	8.0
	760	25,500	19,500	5.3	13.0	49.3	49.0	50.0	10.0
	800	29,700	22,400	6.0	17.9	49.5	49.2	50.0	10.0
	760	22,500	18,100	3.8	6.2	51.1	50.8	52.0	12.0
	800	26,700	21,700	4.6	9.3	51.2	50.9	52.0	12.0
	760	18,900	16,300	2.9	3.7	53.4	52.7	54.0	14.0
	800	21,000	18,800	3.1	4.0	54.6	53.4	54.0	14.0
41°F	760	30,400	21,500	10.5	49.8	46.3	46.1	47.0	6.0
	800	35,800	25,300	12.3	67.1	46.7	46.4	47.0	6.0
	760	27,100	19,900	7.0	23.2	48.4	48.1	49.0	8.0
	800	31,800	23,800	8.2	31.0	48.7	48.4	49.0	8.0
	760	23,600	18,600	4.9	11.3	50.3	50.0	51.0	10.0
	800	28,800	22,400	6.0	17.4	50.1	49.8	51.0	10.0
	760	20,800	17,200	3.6	5.3	52.0	51.5	53.0	12.0
	800	24,800	20,800	4.2	8.0	52.1	51.6	53.0	12.0
	760	17,500	15,600	2.7	3.2	54.2	53.3	55.0	14.0
	800	19,900	17,900	3.0	3.7	55.3	53.9	55.0	14.0
42°F	760	28,800	20,900	9.9	45.0	47.3	47.0	48.0	6.0
	800	34,100	24,700	11.7	60.8	47.7	47.4	48.0	6.0
	760	25,500	19,300	6.6	20.6	49.4	49.1	50.0	8.0
	800	29,900	22,900	7.6	27.3	49.8	49.4	50.0	8.0
	760	22,200	18,000	4.6	10.1	51.1	50.8	52.0	10.0
	800	26,900	21,700	5.6	15.2	50.9	50.6	52.0	10.0
	760	19,600	16,900	3.4	4.6	52.6	52.1	54.0	12.0
	800	23,200	20,300	4.0	6.9	52.7	52.3	54.0	12.0
	760	15,000	13,900	2.3	2.2	56.3	54.5	56.0	14.0
	800	18,900	17,300	2.8	3.4	56.0	54.2	56.0	14.0
43°F	760	27,300	19,900	7.0	26.9	52.1	51.4	49.0	6.0
	800	32,700	23,900	8.4	37.6	52.3	51.7	49.0	6.0
	760	25,000	18,800	4.9	13.6	53.4	52.5	51.0	8.0
	800	29,700	22,600	5.7	18.2	53.6	52.8	51.0	8.0
	760	22,400	17,900	3.4	5.4	55.1	54.1	53.0	10.0
	800	26,100	21,000	3.6	7.0	55.1	54.4	53.0	10.0
	760	18,100	15,900	2.4	2.5	58.0	55.3	55.0	12.0
	800	22,400	19,200	2.8	4.0	57.6	55.1	55.0	12.0
	760	17,700	15,900	1.7	2.0	58.7	55.4	57.0	14.0
	800	18,400	16,800	2.1	2.2	60.3	56.1	57.0	14.0

NOTICE: Due to ongoing product development; design, specification and performance data listed within this submittal document are subject to change without notice. For the most current unit/system performance data, please refer to the product literature on our website, www.enviromaster.com, or consult the factory.

CCP30D Ceiling-Suspended Air Handler Performance Data Tables - Continued

Entering Water Temp	CFM		75° F DB / 62.55° F WB - Continued											
	Low	High	Total Capacity (Btuh)	Sensible Capacity (Btuh)	Water Flow Rate (GPM)	Pressure Drop (Ft)	Leaving Air Temp		Leaving Water Temp (°F)	ΔT (°F)				
							DB °F	WB °F						
44°F	760	800	25,900	30,800	19,200	23,100	8.3	10.1	37.1	53.3	49.4	48.7	50.0	6.0
	760	800	23,300	27,600	18,100	21,700	5.9	6.9	19.4	26.0	50.9	50.2	52.0	8.0
	760	800	20,500	24,300	17,000	20,100	4.2	5.0	8.5	12.4	52.8	51.8	54.0	10.0
	760	800	17,000	17,000	15,200	15,200	3.0	3.5	3.8	6.1	55.3	53.7	56.0	12.0
	760	800	17,000	17,200	15,000	15,900	2.4	2.4	3.3	2.9	57.2	54.7	58.0	14.0
	760	800	24,500	29,200	18,800	22,400	7.9	9.5	33.3	47.3	50.3	49.6	51.0	6.0
	760	800	22,100	26,100	17,700	21,000	5.6	6.5	17.3	23.3	51.7	50.9	53.0	8.0
	760	800	19,300	19,300	16,600	16,600	3.9	4.4	7.3	10.0	53.4	52.5	55.0	10.0
	760	800	16,000	16,500	14,500	15,200	2.8	2.3	3.3	2.7	56.2	54.2	57.0	12.0
	760	800	14,800	14,800	13,400	13,400	2.1	2.3	2.7	2.7	57.6	54.9	59.0	14.0
45°F	760	800	17,400	20,500	15,700	18,600	5.6	6.7	17.5	24.3	54.5	53.5	56.0	6.0
	760	800	14,800	17,900	14,100	17,000	3.8	4.5	8.3	11.0	56.2	54.7	58.0	8.0
	760	800	13,400	13,400	12,500	12,500	2.8	3.2	3.4	4.9	58.1	55.0	60.0	10.0
	760	800	9,900	9,900	9,400	9,400	1.7	2.2	1.3	2.7	62.6	56.8	62.0	12.0
	760	800	13,000	13,000	12,300	12,300	2.2	2.2	2.7	2.7	61.4	56.4	62.0	12.0
	760	800	10,800	10,800	9,800	9,800	1.6	1.6	1.7	1.7	62.2	56.6	64.0	14.0
	760	800	11,300	11,300	10,500	10,500	1.6	1.5	1.5	1.5	63.3	57.3	64.0	14.0
	50°F	CCP30D Propylene Glycol Solution Corrections (44°F EWT)												
		Propylene Glycol %	Capacity Factor	Freezing Point (°F)	Tubeside Pressure Increase = 100% Capacity Factor		GPM Adjustment = 100% Capacity Factor							
		10%	0.92	26	1.37		1.12							
20%		0.83	18	2.10		1.40								
30%		0.74	7	3.82		1.93								
40%		0.70	-8	7.12		2.51								
50%		0.68	-29	15.54		3.38								

NOTICE: Due to ongoing product development; design, specification and performance data listed within this submittal document are subject to change without notice. For the most current unit/system performance data, please refer to the product literature on our website, www.enviromaster.com, or consult the factory.

CCP30D Ceiling-Suspended Air Handler Performance Data Tables - Continued

Entering Water Temp	CFM	72° F DB / 60.1° F WB							
		Total Capacity (Btuh)	Sensible Capacity (Btuh)	Water Flow Rate (GPM)	Pressure Drop (Ft)	Leaving Air Temp		Leaving Water Temp (°F)	ΔT (°F)
	Low					High	DB °F		
40°F	700	21,800	17,100	7.2	10.3	47.2	46.7	46.0	6.0
	750	26,100	20,400	8.7	14.7	47.4	47.0	46.0	6.0
	700	19,200	15,800	4.8	4.9	49.3	48.8	48.0	8.0
	750	22,900	18,800	5.8	6.6	49.4	48.9	48.0	8.0
	700	17,000	14,800	3.5	2.2	51.0	50.5	50.0	10.0
	750	19,400	17,100	3.9	3.0	51.2	50.7	50.0	10.0
	700	13,900	13,100	2.4	1.0	53.8	53.0	52.0	12.0
	750	17,600	16,100	3.0	1.6	53.2	52.4	52.0	12.0
	700	12,700	12,300	1.7	0.8	55.2	53.7	54.0	14.0
	750	14,400	14,000	2.0	0.8	56.2	54.7	54.0	14.0
41°F	700	21,100	16,100	6.9	9.2	48.0	47.7	47.0	6.0
	750	25,100	19,200	8.2	13.2	48.4	48.0	47.0	6.0
	700	18,300	14,600	4.5	4.3	50.4	49.8	49.0	8.0
	750	22,200	17,700	5.4	6.0	50.1	49.8	49.0	8.0
	700	16,300	13,800	3.3	1.9	51.9	51.2	51.0	10.0
	750	19,400	16,500	3.8	2.9	52.0	51.4	51.0	10.0
	700	13,100	12,100	2.2	0.8	54.6	53.7	53.0	12.0
	750	16,800	15,000	2.8	1.3	54.0	53.1	53.0	12.0
	700	12,000	11,700	1.6	0.7	56.0	54.1	55.0	14.0
	750	13,700	13,100	1.9	0.7	57.1	55.1	55.0	14.0
42°F	700	20,300	15,200	6.5	8.3	49.0	48.6	48.0	6.0
	750	24,000	17,900	7.7	11.7	49.4	49.1	48.0	6.0
	700	17,700	13,800	4.3	3.9	51.2	50.6	50.0	8.0
	750	21,200	16,500	5.1	5.2	51.2	50.7	50.0	8.0
	700	15,700	12,900	3.1	1.7	52.5	51.8	52.0	10.0
	750	18,800	15,400	3.6	2.5	52.7	52.1	52.0	10.0
	700	12,600	11,300	2.1	0.7	55.7	54.2	54.0	12.0
	750	15,300	13,300	2.5	1.1	55.6	54.0	54.0	12.0
	700	11,300	10,800	1.5	0.7	57.0	54.5	56.0	14.0
	750	12,900	12,500	1.8	0.7	57.9	55.4	56.0	14.0
43°F	700	18,500	16,500	5.1	6.0	52.6	51.7	49.0	6.0
	750	22,000	20,000	5.9	7.8	52.9	52.1	49.0	6.0
	700	16,200	16,100	3.1	2.1	54.5	53.5	51.0	8.0
	750	19,100	18,600	3.9	3.3	54.4	53.3	51.0	8.0
	700	13,800	13,700	2.2	1.0	56.6	54.4	53.0	10.0
	750	16,500	16,600	2.4	1.0	56.4	54.5	53.0	10.0
	700	12,800	12,700	1.5	0.5	60.5	55.8	55.0	12.0
	750	14,200	14,300	1.9	0.8	59.8	55.5	55.0	12.0
	700	11,700	11,400	1.4	0.5	60.1	55.6	57.0	14.0
	750	11,900	11,900	1.4	0.5	62.3	56.7	57.0	14.0

NOTICE: Due to ongoing product development; design, specification and performance data listed within this submittal document are subject to change without notice. For the most current unit/system performance data, please refer to the product literature on our website, www.enviromaster.com, or consult the factory.

CCP30D Ceiling-Suspended Air Handler Performance Data Tables - Continued

Entering Water Temp	CFM		72° F DB / 60.1° F WB - Continued							
	Low	High	Total Capacity (Btuh)	Sensible Capacity (Btuh)	Water Flow Rate (GPM)	Pressure Drop (Ft)	Leaving Air Temp		Leaving Water Temp (°F)	ΔT (°F)
							DB °F	WB °F		
44°F	760	800	21,100	17,800	7.2	31.1	48.8	48.6	50.0	6.0
	800	760	25,000	21,600	8.5	41.6	48.9	48.8	50.0	6.0
	760	800	18,100	16,900	4.6	11.9	50.6	50.3	52.0	8.0
	800	760	21,800	20,000	5.6	19.4	50.8	50.4	52.0	8.0
	760	800	15,600	14,900	3.1	5.6	52.8	52.0	54.0	10.0
	800	760	18,800	17,800	3.9	8.7	52.7	52.0	54.0	10.0
	760	800	13,800	13,300	2.4	3.0	54.9	53.1	56.0	12.0
	800	760	15,900	15,300	2.6	3.8	55.6	53.6	56.0	12.0
	760	800	12,900	12,200	1.9	2.3	56.3	53.7	58.0	14.0
	800	760	13,100	12,800	1.9	2.3	58.1	54.8	58.0	14.0
45°F	760	800	20,400	16,900	6.8	27.6	49.6	49.4	51.0	6.0
	800	760	24,100	20,300	7.9	36.5	49.9	49.6	51.0	6.0
	760	800	17,700	15,800	4.3	10.3	51.4	51.0	53.0	8.0
	800	760	21,100	18,700	5.2	16.5	51.5	51.1	53.0	8.0
	760	800	15,200	14,000	2.9	4.8	53.6	52.5	55.0	10.0
	800	760	17,000	16,200	3.4	6.2	53.5	52.5	55.0	10.0
	760	800	13,100	12,600	2.3	2.8	55.7	53.5	57.0	12.0
	800	760	14,900	14,400	2.5	3.4	56.4	53.9	57.0	12.0
	760	800	12,200	11,500	1.8	2.1	57.0	54.1	59.0	14.0
	800	760	12,400	12,200	1.8	2.1	59.0	55.1	59.0	14.0
50°F	760	800	14,000	13,700	4.7	13.8	53.8	52.9	56.0	6.0
	800	760	16,500	16,400	5.5	18.1	54.2	53.2	56.0	6.0
	760	800	12,200	11,700	3.0	4.8	56.4	53.8	58.0	8.0
	800	760	14,900	14,200	3.7	7.8	56.2	53.7	58.0	8.0
	760	800	9,000	8,300	1.8	1.6	60.4	55.4	60.0	10.0
	800	760	11,500	10,800	2.3	3.2	59.9	55.2	60.0	10.0
	760	800	8,700	8,600	1.5	1.5	59.8	55.2	62.0	12.0
	800	760	10,100	9,900	1.7	2.0	61.0	55.7	62.0	12.0
	760	800	7,800	7,400	1.2	1.1	60.9	55.6	64.0	14.0
	800	760	8,000	7,900	1.2	1.1	63.4	56.8	64.0	14.0

CCP30D Propylene Glycol Solution Corrections (44°F EWT)				
Propylene Glycol %	Capacity Factor	Freezing Point (°F)	Tubeside Pressure Increase = 100% Capacity Factor	GPM Adjustment = 100% Capacity Factor
10%	0.92	26	1.38	1.11
20%	0.80	18	2.01	1.19
30%	0.81	7	3.36	1.31
40%	0.79	-8	6.02	1.55
50%	0.78	-29	13.21	2.11

NOTICE: Due to ongoing product development; design, specification and performance data listed within this submittal document are subject to change without notice. For the most current unit/system performance data, please refer to the product literature on our website, www.enviromaster.com, or consult the factory.

CCP48D Ceiling-Suspended Air Handler Performance Data Tables

Entering Water Temp	CFM		80° F DB / 67° F WB												
	Low	High	Total Capacity (Btuh)	Sensible Capacity (Btuh)	Water Flow Rate (GPM)	Pressure Drop (Ft)	Leaving Air Temp		Leaving Water Temp (°F)	ΔT (°F)					
							DB °F	WB °F							
40°F	1100	1200	69,700	82,300	41,200	49,100	23.0	27.5	160.6	223.4	43.2	43.7	43.1	46.0	6.0
	1100	1200	63,500	75,300	38,400	45,900	16.0	18.9	80.3	110.2	45.5	45.8	45.4	48.0	8.0
	1100	1200	56,800	65,300	35,600	41,600	11.5	13.0	43.2	55.6	47.9	48.5	47.8	50.0	10.0
	1100	1200	50,500	59,800	33,100	39,100	8.5	10.0	23.7	33.6	50.1	50.3	50.0	52.0	12.0
	1100	1200	43,500	42,100	30,200	35,900	6.3	7.4	12.4	17.5	52.4	52.6	52.3	54.0	14.0
	1200	1100	66,800	60,500	39,800	37,000	22.2	15.3	149.8	74.0	44.0	46.6	44.0	47.0	6.0
	1200	1100	77,500	71,900	47,600	44,400	26.5	18.2	208.4	101.7	44.6	46.8	44.6	47.0	6.0
	1100	1200	53,500	62,000	34,100	40,200	10.9	12.2	39.1	48.6	49.1	49.7	49.0	51.0	10.0
	1100	1200	47,600	55,300	31,600	37,300	8.1	9.3	21.4	28.9	51.0	51.4	50.9	53.0	12.0
	1100	1200	44,300	39,100	32,000	34,500	6.5	6.9	13.0	15.1	53.2	53.4	53.1	55.0	14.0
42°F	1100	1200	64,200	76,000	38,800	46,200	21.3	25.5	138.7	193.0	45.0	45.6	45.0	48.0	6.0
	1100	1200	57,900	68,600	35,900	42,700	14.6	17.4	67.8	93.2	47.5	47.8	47.4	50.0	8.0
	1100	1200	50,900	58,700	33,100	38,800	10.4	11.6	35.4	43.9	50.1	50.7	50.0	52.0	10.0
	1100	1200	43,900	53,100	30,200	36,300	7.5	8.9	18.4	26.4	52.2	52.0	52.1	54.0	12.0
	1100	1200	42,400	37,600	30,900	33,800	6.2	6.7	11.9	13.8	53.8	53.9	53.6	56.0	14.0
	1200	1100	63,700	57,200	37,400	34,900	17.4	11.7	96.1	46.0	50.8	52.8	50.6	49.0	6.0
	1200	1100	75,200	68,300	44,500	41,700	20.9	13.7	136.1	62.1	51.2	53.2	51.0	49.0	6.0
	1100	1200	51,800	61,400	32,400	38,800	8.1	8.7	22.9	25.3	54.8	55.1	54.6	53.0	10.0
	1100	1200	46,000	53,000	30,600	35,600	5.5	7.2	10.0	16.7	56.7	56.0	56.4	55.0	12.0
	1100	1200	33,800	46,800	24,600	32,800	4.3	5.0	6.0	7.3	58.6	58.0	58.1	57.0	14.0

NOTICE: Due to ongoing product development; design, specification and performance data listed within this submittal document are subject to change without notice. For the most current unit/system performance data, please refer to the product literature on our website, www.enviromaster.com, or consult the factory.

CCP48D Ceiling-Suspended Air Handler Performance Data Tables - Continued

Entering Water Temp	CFM	80° F DB / 67° F WB - Continued							
	Low	Total Capacity (Btuh)	Sensible Capacity (Btuh)	Water Flow Rate (GPM)	Pressure Drop (Ft)	Leaving Air Temp		Leaving Water Temp (°F)	ΔT (°F)
	High					DB °F	WB °F		
44°F	1100	60,600	36,700	20.0	126.7	47.8	47.7	50.0	6.0
	1200	71,800	43,100	24.0	177.8	47.9	47.8	50.0	6.0
	1100	54,500	33,800	13.6	61.7	49.8	49.7	52.0	8.0
	1200	64,800	40,200	16.1	84.6	50.0	49.9	52.0	8.0
	1100	48,700	31,300	9.8	33.2	51.7	51.5	54.0	10.0
	1200	57,900	37,400	11.6	45.6	51.9	51.6	54.0	10.0
	1100	41,800	29,200	6.9	15.2	53.9	53.9	56.0	12.0
	1200	49,500	34,500	8.4	23.3	54.1	54.0	56.0	12.0
	1100	34,500	26,000	4.9	7.8	56.4	56.1	58.0	14.0
	1200	43,700	31,700	6.2	11.8	56.0	55.4	58.0	14.0
45°F	1100	57,900	35,200	19.1	115.2	48.8	48.6	51.0	6.0
	1200	68,700	42,000	22.9	162.2	49.0	48.8	51.0	6.0
	1100	51,800	32,800	13.0	55.9	50.8	50.6	53.0	8.0
	1200	61,400	38,800	15.3	76.1	51.0	50.9	53.0	8.0
	1100	45,700	30,300	9.2	29.1	52.8	52.6	55.0	10.0
	1200	51,800	35,600	10.3	35.8	53.0	52.8	55.0	10.0
	1100	39,500	28,100	6.5	13.4	54.8	54.6	57.0	12.0
	1200	47,600	33,800	8.0	21.3	54.7	54.5	57.0	12.0
	1100	32,200	25,300	4.6	6.7	57.1	56.7	59.0	14.0
	1200	40,700	31,000	5.7	10.1	56.6	56.1	59.0	14.0
50°F	1100	39,900	27,100	13.2	57.6	53.2	53.0	56.0	6.0
	1200	51,000	34,900	17.1	93.5	53.8	53.6	56.0	6.0
	1100	37,600	27,400	9.5	31.1	55.1	54.9	58.0	8.0
	1200	43,400	32,000	10.9	39.8	55.9	55.8	58.0	8.0
	1100	31,100	24,600	6.2	14.1	57.4	56.9	60.0	10.0
	1200	37,200	29,500	7.4	19.0	57.3	56.7	60.0	10.0
	1100	24,200	20,600	4.0	4.6	60.4	58.5	62.0	12.0
	1200	28,800	24,900	4.9	7.2	60.2	58.5	62.0	12.0
	1100	18,000	16,400	2.6	2.2	64.0	60.1	64.0	14.0
	1200	25,300	21,700	3.6	4.4	62.5	59.2	64.0	14.0

CCP48D Propylene Glycol Solution Corrections (40°F EWT)				
Propylene Glycol %	Capacity Factor	Freezing Point (°F)	Tube-side Pressure Increase = 100% Capacity Factor	GPM Adjustment = 100% Capacity Factor
10%	0.96	26	1.1	1.05
20%	0.92	18	1.7	1.20
30%	0.80	7	3.1	1.55
40%	0.75	-8	6.1	2.29
50%	0.73	-29	13.4	3.18

NOTICE: Due to ongoing product development; design, specification and performance data listed within this submittal document are subject to change without notice. For the most current unit/system performance data, please refer to the product literature on our website, www.enviromaster.com, or consult the factory.

CCP48D Ceiling-Suspended Air Handler Performance Data Tables - Continued

Entering Water Temp	CFM		75° F DB / 62.55° F WB						
	Low	Total Capacity (Btuh)	Sensible Capacity (Btuh)	Water Flow Rate (GPM)	Pressure Drop (Ft)	Leaving Air Temp		Leaving Water Temp (°F)	ΔT (°F)
	High					DB °F	WB °F		
40°F	1100	53,600	36,000	18.4	105.6	43.6	43.4	46.0	6.0
	1200	63,400	42,500	21.6	142.3	44.0	43.8	46.0	6.0
	1100	48,100	33,500	12.4	49.8	45.7	45.5	48.0	8.0
	1200	56,700	39,600	14.4	66.4	45.9	45.8	48.0	8.0
	1100	42,700	31,300	8.8	24.9	47.5	47.3	50.0	10.0
	1200	49,700	36,000	10.0	34.4	47.7	47.5	50.0	10.0
	1100	37,600	29,100	6.4	11.9	49.3	49.1	52.0	12.0
	1200	44,600	34,900	7.6	17.8	49.4	49.1	52.0	12.0
	1100	31,700	26,200	4.8	7.1	51.5	50.9	54.0	14.0
	1200	35,200	30,200	5.2	7.7	52.6	51.6	54.0	14.0
41°F	1100	50,900	34,500	17.5	95.8	44.6	44.5	47.0	6.0
	1200	59,900	40,700	20.5	129.0	45.0	44.8	47.0	6.0
	1100	45,400	32,000	11.7	44.7	46.6	46.4	49.0	8.0
	1200	53,200	38,200	13.6	59.6	46.9	46.7	49.0	8.0
	1100	39,500	29,800	8.2	21.7	48.5	48.3	51.0	10.0
	1200	48,100	36,000	9.9	33.4	48.3	48.1	51.0	10.0
	1100	34,800	27,600	6.0	10.3	50.1	49.7	53.0	12.0
	1200	41,500	33,500	7.1	15.3	50.2	49.8	53.0	12.0
	1100	29,400	25,100	4.5	6.1	52.2	51.5	55.0	14.0
	1200	33,300	28,700	4.9	7.1	53.3	52.0	55.0	14.0
42°F	1100	48,100	33,600	16.6	86.5	45.5	45.4	48.0	6.0
	1200	57,100	39,700	19.5	116.8	46.0	45.8	48.0	6.0
	1100	42,700	31,100	11.0	39.6	47.6	47.4	50.0	8.0
	1200	50,100	36,700	12.7	52.4	48.0	47.7	50.0	8.0
	1100	37,200	29,000	7.7	19.4	49.2	49.0	52.0	10.0
	1200	45,000	34,900	9.3	29.2	49.0	48.8	52.0	10.0
	1100	32,900	27,200	5.6	8.9	50.7	50.3	54.0	12.0
	1200	38,700	32,600	6.7	13.3	50.8	50.5	54.0	12.0
	1100	25,000	22,400	3.8	4.3	54.2	52.6	56.0	14.0
	1200	31,700	27,900	4.7	6.6	54.0	52.3	56.0	14.0
43°F	1100	47,000	32,300	12.2	55.4	50.5	50.0	49.0	6.0
	1200	56,300	38,900	14.5	77.5	50.7	50.2	49.0	6.0
	1100	43,000	30,500	8.5	28.1	51.7	51.0	51.0	8.0
	1200	51,100	36,700	9.8	37.6	51.9	51.3	51.0	8.0
	1100	38,500	29,000	5.8	11.1	53.4	52.6	53.0	10.0
	1200	45,000	34,100	6.3	14.4	53.4	52.9	53.0	10.0
	1100	31,200	25,800	4.2	5.1	56.1	53.7	55.0	12.0
	1200	38,500	31,200	4.9	8.2	55.7	53.5	55.0	12.0
	1100	30,400	25,800	3.0	4.2	56.9	53.8	57.0	14.0
	1200	31,600	27,200	3.6	4.6	58.4	54.5	57.0	14.0

NOTICE: Due to ongoing product development; design, specification and performance data listed within this submittal document are subject to change without notice. For the most current unit/system performance data, please refer to the product literature on our website, www.enviromaster.com, or consult the factory.

CCP48D Ceiling-Suspended Air Handler Performance Data Tables - Continued

Entering Water Temp	CFM		75° F DB / 62.55° F WB - Continued						
	Low	Total Capacity (Btuh)	Sensible Capacity (Btuh)	Water Flow Rate (GPM)	Pressure Drop (Ft)	Leaving Air Temp		Leaving Water Temp (°F)	ΔT (°F)
	High					DB °F	WB °F		
44°F	1100	44,600	31,200	14.4	76.4	47.9	47.3	50.0	6.0
	1200	53,100	37,400	17.5	109.9	48.0	47.4	50.0	6.0
	1100	40,100	29,400	10.2	40.0	49.3	48.8	52.0	8.0
	1200	47,400	35,200	11.9	53.6	49.5	49.0	52.0	8.0
	1100	35,300	27,600	7.3	17.6	51.1	50.4	54.0	10.0
	1200	41,800	32,700	8.6	25.5	51.2	50.8	54.0	10.0
	1100	29,200	24,700	5.1	7.9	53.5	52.2	56.0	12.0
	1200	35,700	30,100	6.0	12.6	53.1	52.0	56.0	12.0
	1100	29,200	24,300	4.1	6.7	55.4	53.2	58.0	14.0
	1200	29,600	25,800	4.2	6.0	56.1	53.6	58.0	14.0
45°F	1100	42,200	30,500	13.6	68.7	48.7	48.2	51.0	6.0
	1200	50,300	36,300	16.4	97.5	48.8	48.3	51.0	6.0
	1100	38,100	28,700	9.6	35.7	50.0	49.5	53.0	8.0
	1200	45,000	34,100	11.2	48.1	50.2	49.7	53.0	8.0
	1100	33,200	26,900	6.8	15.1	51.7	51.0	55.0	10.0
	1200	37,700	30,500	7.6	20.6	51.9	51.5	55.0	10.0
	1100	27,600	23,600	4.8	6.9	54.5	52.7	57.0	12.0
	1200	33,600	28,700	5.6	11.0	54.1	52.5	57.0	12.0
	1100	25,500	21,800	3.6	5.5	55.7	53.3	59.0	14.0
	1200	28,400	24,700	4.0	5.5	56.8	53.8	59.0	14.0
50°F	1100	30,000	25,400	9.7	36.1	52.7	52.0	56.0	6.0
	1200	35,300	30,100	11.5	50.0	53.1	52.4	56.0	6.0
	1100	25,500	22,900	6.5	17.2	54.4	53.1	58.0	8.0
	1200	30,800	27,600	7.7	22.6	54.5	53.1	58.0	8.0
	1100	23,100	20,300	4.8	7.0	56.3	53.5	60.0	10.0
	1200	27,200	24,300	5.6	10.0	56.5	54.1	60.0	10.0
	1100	17,000	15,300	3.0	2.7	60.6	55.2	62.0	12.0
	1200	22,300	20,000	3.7	5.5	59.4	54.8	62.0	12.0
	1100	18,600	16,000	2.7	3.5	60.2	55.0	64.0	14.0
	1200	19,500	17,100	2.8	3.2	61.3	55.6	64.0	14.0

CCP48D Propylene Glycol Solution Corrections (44°F EWT)				
Propylene Glycol %	Capacity Factor	Freezing Point (°F)	Tubeside Pressure Increase = 100% Capacity Factor	GPM Adjustment = 100% Capacity Factor
10%	0.96	26	1.14	1.10
20%	0.93	18	1.75	1.17
30%	0.82	7	3.17	1.61
40%	0.78	-8	5.92	2.09
50%	0.75	-29	12.92	2.81

NOTICE: Due to ongoing product development; design, specification and performance data listed within this submittal document are subject to change without notice. For the most current unit/system performance data, please refer to the product literature on our website, www.enviromaster.com, or consult the factory.

CCP48D Ceiling-Suspended Air Handler Performance Data Tables - Continued

Entering Water Temp	CFM		72° F DB / 60.1° F WB						
	Low	Total Capacity (Btuh)	Sensible Capacity (Btuh)	Water Flow Rate (GPM)	Pressure Drop (Ft)	Leaving Air Temp		Leaving Water Temp (°F)	ΔT (°F)
	High					DB °F	WB °F		
40°F	1100	47,300	32,600	15.8	87.6	43.5	43.2	46.0	6.0
	1200	56,500	38,800	19.0	125.3	43.7	43.4	46.0	6.0
	1100	41,700	30,000	10.5	41.8	45.5	45.2	48.0	8.0
	1200	49,700	35,900	12.5	56.6	45.6	45.3	48.0	8.0
	1100	36,900	28,200	7.7	18.9	47.0	46.7	50.0	10.0
	1200	42,100	32,600	8.5	25.6	47.2	46.9	50.0	10.0
	1100	30,100	24,900	5.3	8.4	49.6	49.0	52.0	12.0
	1200	38,100	30,800	6.5	13.5	49.0	48.4	52.0	12.0
	1100	27,700	23,400	3.6	6.7	50.9	49.7	54.0	14.0
	1200	31,300	26,700	4.5	6.7	51.9	50.6	54.0	14.0
41°F	1100	45,700	30,800	14.9	78.9	44.3	44.1	47.0	6.0
	1200	54,500	36,600	18.0	112.3	44.6	44.4	47.0	6.0
	1100	39,700	27,800	9.8	36.8	46.4	46.0	49.0	8.0
	1200	48,100	33,700	11.9	50.9	46.2	46.0	49.0	8.0
	1100	35,300	26,400	7.2	16.4	47.8	47.4	51.0	10.0
	1200	42,100	31,500	8.4	24.6	48.0	47.6	51.0	10.0
	1100	28,500	23,100	4.9	7.1	50.4	49.7	53.0	12.0
	1200	36,500	28,600	6.0	11.5	49.8	49.1	53.0	12.0
	1100	26,100	22,300	3.5	6.3	51.6	50.1	55.0	14.0
	1200	29,700	24,900	4.2	6.2	52.6	50.9	55.0	14.0
42°F	1100	44,100	28,900	14.1	71.0	45.2	45.0	48.0	6.0
	1200	52,100	34,100	16.9	99.6	45.6	45.4	48.0	6.0
	1100	38,500	26,400	9.3	32.9	47.2	46.8	50.0	8.0
	1200	46,100	31,500	11.0	44.4	47.2	46.9	50.0	8.0
	1100	34,100	24,500	6.7	14.1	48.4	47.9	52.0	10.0
	1200	40,900	29,300	7.8	21.1	48.6	48.2	52.0	10.0
	1100	27,300	21,600	4.6	6.2	51.3	50.2	54.0	12.0
	1200	33,300	25,300	5.4	9.1	51.3	49.9	54.0	12.0
	1100	24,500	20,500	3.2	5.6	52.5	50.4	56.0	14.0
	1200	28,100	23,800	4.0	5.6	53.4	51.2	56.0	14.0
43°F	1100	39,400	31,700	10.6	47.3	49.3	49.3	49.0	6.0
	1200	46,900	38,500	12.3	61.7	49.6	49.7	49.0	6.0
	1100	34,400	31,000	6.5	16.5	51.1	51.0	51.0	8.0
	1200	40,700	35,900	8.0	26.4	51.0	50.8	51.0	8.0
	1100	29,500	26,400	4.6	7.8	53.1	51.9	53.0	10.0
	1200	35,300	32,100	4.9	8.2	52.9	52.0	53.0	10.0
	1100	29,500	26,400	3.2	3.8	56.7	53.2	55.0	12.0
	1200	30,300	27,600	3.8	6.0	56.1	52.9	55.0	12.0
	1100	24,900	21,900	2.8	3.7	56.4	53.0	57.0	14.0
	1200	25,300	23,000	2.8	3.7	58.4	54.0	57.0	14.0

NOTICE: Due to ongoing product development; design, specification and performance data listed within this submittal document are subject to change without notice. For the most current unit/system performance data, please refer to the product literature on our website, www.enviromaster.com, or consult the factory.

CCP48D Ceiling-Suspended Air Handler Performance Data Tables - Continued

Entering Water Temp	CFM	72° F DB / 60.1° F WB - Continued							
	Low	Total Capacity (Btuh)	Sensible Capacity (Btuh)	Water Flow Rate (GPM)	Pressure Drop (Ft)	Leaving Air Temp		Leaving Water Temp (°F)	ΔT (°F)
	High					DB °F	WB °F		
44°F	1100	38,200	29,800	12.8	67.2	46.9	47.0	50.0	6.0
	1200	45,200	36,300	15.0	89.9	47.0	47.2	50.0	6.0
	1100	32,800	28,300	8.2	25.7	48.6	48.7	52.0	8.0
	1200	39,400	33,600	9.9	41.9	48.8	48.8	52.0	8.0
	1100	28,200	24,900	5.6	12.0	50.7	50.3	54.0	10.0
	1200	34,000	29,800	6.8	18.7	50.6	50.3	54.0	10.0
	1100	24,900	22,300	4.3	6.6	52.7	51.4	56.0	12.0
	1200	28,600	25,700	4.7	8.3	53.4	51.9	56.0	12.0
	1100	23,200	20,400	3.4	4.9	54.1	52.0	58.0	14.0
	1200	23,600	21,500	3.4	4.9	55.8	53.0	58.0	14.0
45°F	1100	36,900	28,300	12.0	59.6	47.7	47.8	51.0	6.0
	1200	43,600	34,000	14.0	78.9	47.9	48.0	51.0	6.0
	1100	31,900	26,400	7.6	22.3	49.4	49.3	53.0	8.0
	1200	38,200	31,400	9.2	35.7	49.5	49.4	53.0	8.0
	1100	27,400	23,400	5.2	10.4	51.5	50.8	55.0	10.0
	1200	30,700	27,200	6.0	13.4	51.4	50.8	55.0	10.0
	1100	23,600	21,200	4.0	6.0	53.5	51.8	57.0	12.0
	1200	27,000	24,200	4.4	7.4	54.2	52.2	57.0	12.0
	1100	22,000	19,300	3.2	4.5	54.8	52.4	59.0	14.0
	1200	22,400	20,400	3.2	4.5	56.7	53.3	59.0	14.0
50°F	1100	25,300	23,000	8.3	29.8	51.7	51.2	56.0	6.0
	1200	29,900	27,600	9.7	39.2	52.1	51.5	56.0	6.0
	1100	22,000	19,600	5.3	10.5	54.2	52.0	58.0	8.0
	1200	27,000	23,800	6.5	16.8	54.0	51.9	58.0	8.0
	1100	16,200	14,000	3.1	3.5	58.1	53.6	60.0	10.0
	1200	20,700	18,100	4.1	7.0	57.5	53.4	60.0	10.0
	1100	15,800	14,400	2.7	3.3	57.5	53.4	62.0	12.0
	1200	18,300	16,600	3.0	4.3	58.6	53.9	62.0	12.0
	1100	14,100	12,500	2.1	2.3	58.5	53.8	64.0	14.0
	1200	14,500	13,200	2.1	2.3	60.9	55.0	64.0	14.0

CCP48D Propylene Glycol Solution Corrections (50°F EWT)				
Propylene Glycol %	Capacity Factor	Freezing Point (°F)	Tubeside Pressure Increase = 100% Capacity Factor	GPM Adjustment = 100% Capacity Factor
10%	0.96	26	1.14	1.05
20%	0.92	18	1.67	1.10
30%	0.90	7	2.79	1.15
40%	0.88	-8	5.01	1.29
50%	0.86	-29	10.98	1.75



ECR International, Inc.

2201 Dwyer Avenue • Utica, New York 13501

Phone: 800.325.5479 • Fax: 866.432.7329

E-Mail: emi@enviromaster.com • Web: enviromaster.com

NOTICE: Due to ongoing product development; design, specification and performance data listed within this submittal document are subject to change without notice. For the most current unit/system performance data, please refer to the product literature on our website, www.enviromaster.com, or consult the factory.