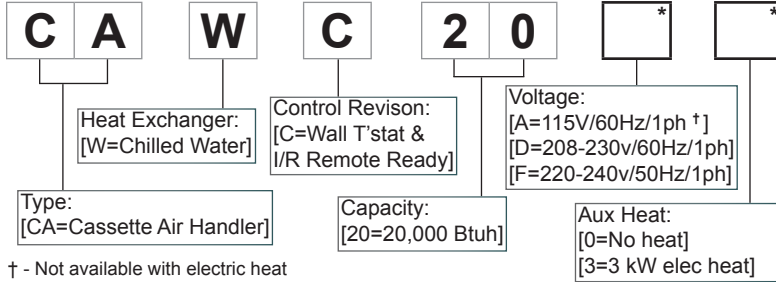


## 20,000 Btuh Chilled Water Ceiling Cassette Air Handler

### Indoor Air Handler Model:



† - Not available with electric heat

### Order Quantity of Air Handler

20,000 Btuh Chilled Water Ceiling Cassette Air Handler

\* Select Voltage and Aux Heat option

No derate for 50Hz or 115v

### Please indicate desired quantity of optional accessories for each air handler (max allowed)

24VAC Wired Thermostat, Single-Stage, 1-Heat/1-Cool, Manual Changeover, #240008208 (1)	5¼"Ø Discharge Air Duct Collar Kit, 2pcs, #240009786 (1 kit, any 2 non-adjacent sides)
24VAC Wired Thermostat, Single-Stage, 1-Heat/1-Cool, Auto Changeover, #240008210 (1)	3"Ø Fresh Air Duct Collar Kit, 3 pcs, #240003416 (1 kit)
OEM Hand-Held Infrared Remote Control (#240006566) (1, Universal for all CAWC air handlers)	Condensate Pump, 144" lift, External Floor Mount, 208/230v-#240003106 / 115v-#240003107 (Unit comes w/ 30" lift pump) (1)

**NOTE:** Every air handler requires either a 24VAC Wall Thermostat or an OEM Hand-Held Infrared Remote

### Electrical Specifications

Model #	Volts/Ph/Hz	Fan Motor		Elec Heat		Total Amps	Min Volt.	MCA	HACR BRKR
		Amps	HP	Amps	kW				
CAWC20D0	208-230/1/60	0.55	1/8	-	-	0.6	197	0.7	15
CAWC20F0	220-240/1/50	0.55	1/8	-	-	0.6	198	0.7	15
CAWC20A0	115/1/60	1.1	1/8	-	-	1.1	104	1.4	15
CAWC20D3	208-230/1/60	0.55	1/8	13.04	3.0	13.6	197	17	20
CAWC20F3	220-240/1/50	0.55	1/8	13.6	3.2	14.2	198	17.7	20

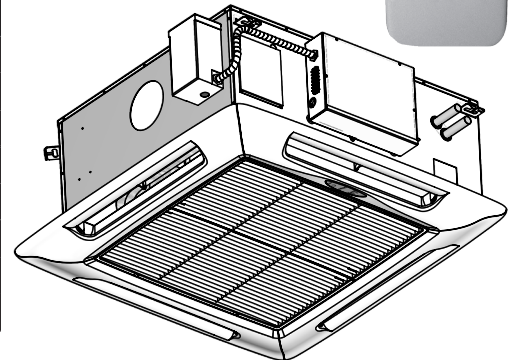


### Miscellaneous Technical Data

Indoor Fan Details	High	Low	Vertical Clearance	** 14 1/8" (0.36m) min	
Discharge Air Volume [CMF (L/S)]	650 (307)	550 (260)	Ceiling Opening	33 7/8" x 33 7/8" (860 x 860 mm)	
			Gross Weight	108 lbs (49.1 kg)	
Indoor Sound Levels [dBA]	44	42	Washable Air Filter	2, Mesh, Metal Frame	
Supply Water Inlet	*7/8" Ø			80% Arrestance	
Return Water Outlet	*7/8" Ø		Condensate Pump Details		
Brand Air Duct Collar	3" Ø		Lift	Nominal Flow Rate	
Fresh Air Duct Collar	5" Ø		30" Max Head	0.1 GPM	

\* Refrigerant Piping Outside Diameter

\*\* Measured from interior face of drop-ceiling



To: \_\_\_\_\_  
 Date: \_\_\_\_\_  
 From: \_\_\_\_\_  
 Contact: \_\_\_\_\_

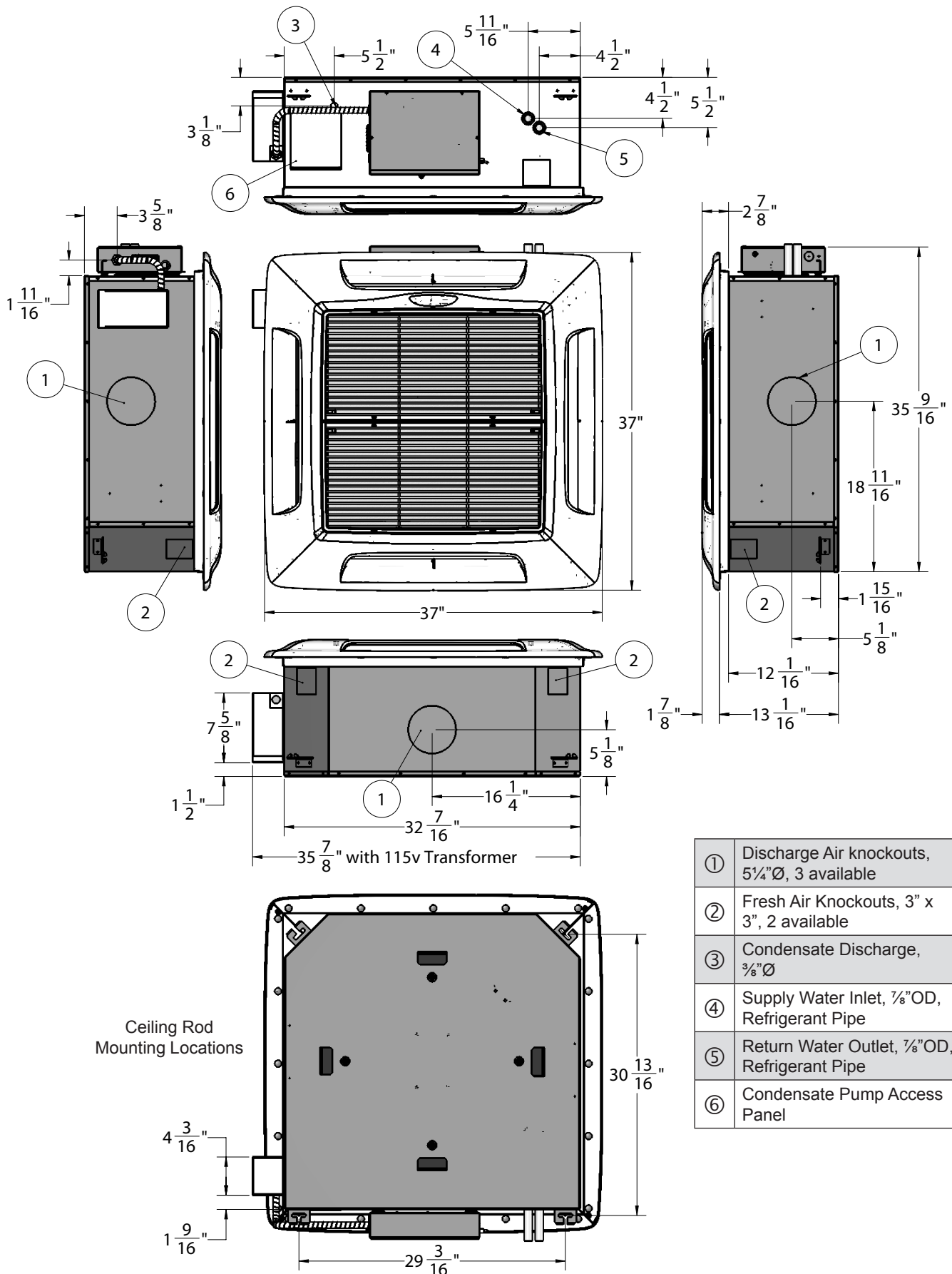
Project: \_\_\_\_\_  
 Customer: \_\_\_\_\_  
 Location: \_\_\_\_\_  
 Engineer: \_\_\_\_\_  
 Unit Tag# \_\_\_\_\_

For Your:  Reference

Approval

Construction

# CAWC20 Ceiling Cassette Air Handler Dimensions



①	Discharge Air knockouts, 5 1/4"Ø, 3 available
②	Fresh Air Knockouts, 3" x 3", 2 available
③	Condensate Discharge, 3/8"Ø
④	Supply Water Inlet, 7/8"OD, Refrigerant Pipe
⑤	Return Water Outlet, 7/8"OD, Refrigerant Pipe
⑥	Condensate Pump Access Panel

**NOTICE:** Due to ongoing product development; design, specification and performance data listed within this submittal document are subject to change without notice. For the most current unit/system performance data, please refer to the product literature on our website, [www.enviromaster.com](http://www.enviromaster.com), or consult the factory.

# CAWC20 Ceiling Cassette Air Handler Performance Data Tables

Entering Water Temp	CFM	80° F DB / 67° F WB							
		Total Capacity (Btuh)	Sensible Capacity (Btuh)	Water Flow Rate (GPM)	Pressure Drop (Ft)	Leaving Air Temp		Leaving Water Temp (°F)	ΔT (°F)
	Low					High	DB °F		
40°F	600	35,900	22,300	11.9	13.9	46.3	46.1	46.0	6.0
	700	41,100	25,700	13.7	18.0	46.8	46.6	46.0	6.0
	600	31,100	20,100	7.8	6.2	49.6	49.4	48.0	8.0
	700	36,800	23,700	9.2	8.5	49.4	49.1	48.0	8.0
	600	22,100	16,300	4.4	2.1	55.3	55.2	50.0	10.0
	700	27,200	19,400	5.4	3.2	54.9	54.4	50.0	10.0
	600	17,400	14,300	2.9	0.8	58.5	57.9	52.0	12.0
	700	20,500	16,700	3.4	1.2	58.4	57.8	52.0	12.0
	600	13,600	12,200	1.9	0.4	61.6	60.0	54.0	14.0
	700	14,600	13,700	2.1	0.5	62.2	60.6	54.0	14.0
41°F	600	34,500	21,600	11.5	12.9	47.3	47.1	47.0	6.0
	700	39,500	24,900	13.1	16.6	47.8	47.6	47.0	6.0
	600	29,200	19,300	7.3	5.5	50.9	50.7	49.0	8.0
	700	34,800	22,800	8.7	7.6	50.5	50.3	49.0	8.0
	600	20,800	15,800	4.2	1.8	56.2	55.9	50.9	9.9
	700	24,100	18,300	4.8	2.5	56.3	56.1	51.0	10.0
	600	15,900	13,500	2.6	0.7	59.6	58.8	53.0	12.0
	700	18,900	15,900	3.1	1.0	59.4	58.6	53.0	12.0
	600	13,000	12,100	1.9	0.4	61.7	60.3	55.0	14.0
	700	13,900	13,200	2.0	0.4	62.9	60.9	55.0	14.0
42°F	600	33,000	21,000	11.0	11.8	48.3	48.2	48.0	6.0
	700	37,800	24,100	12.6	15.3	48.8	48.6	48.0	6.0
	600	27,100	18,400	6.8	4.8	52.3	52.1	50.0	8.0
	700	32,600	21,800	8.1	6.8	51.8	51.5	50.0	8.0
	600	20,700	15,600	4.1	1.8	56.4	56.0	52.0	10.0
	700	23,900	18,100	4.8	2.5	56.6	56.1	52.0	10.0
	600	13,800	12,400	2.3	0.5	61.3	59.9	54.0	12.0
	700	17,100	15,100	2.8	0.8	60.5	59.5	54.0	12.0
	600	12,400	11,700	1.8	0.4	62.3	60.7	56.0	14.0
	700	13,300	12,800	1.9	0.4	63.5	61.2	56.0	14.0
43°F	600	31,500	20,300	10.5	10.8	49.4	49.2	49.0	6.0
	700	36,000	23,300	12.0	13.9	49.8	49.6	49.0	6.0
	600	25,800	17,800	6.4	4.3	53.2	52.9	51.0	8.0
	700	30,400	20,900	7.6	5.9	53.0	52.8	51.0	8.0
	600	19,500	15,100	3.9	1.6	57.3	56.7	53.0	10.0
	700	22,600	17,500	4.5	2.2	57.4	56.8	53.0	10.0
	600	13,100	12,300	2.2	0.5	61.4	60.3	55.0	12.0
	700	16,300	14,500	2.7	0.7	61.2	59.8	55.0	12.0
	600	11,800	11,300	1.7	0.3	63.0	61.0	57.0	14.0
	700	12,600	12,300	1.8	0.4	64.1	61.5	57.0	14.0

**NOTICE:** Due to ongoing product development; design, specification and performance data listed within this submittal document are subject to change without notice. For the most current unit/system performance data, please refer to the product literature on our website, [www.enviromaster.com](http://www.enviromaster.com), or consult the factory.

# CAWC20 Ceiling Cassette Air Handler Performance Data Tables - Continued

Entering Water Temp	CFM	80° F DB / 67° F WB - Continued							
		Total Capacity (Btuh)	Sensible Capacity (Btuh)	Water Flow Rate (GPM)	Pressure Drop (Ft)	Leaving Air Temp		Leaving Water Temp (°F)	ΔT (°F)
	Low					High	DB °F		
44°F	600	29,900	19,600	9.9	9.8	50.4	50.2	50.0	6.0
	700	34,200	22,600	11.4	12.6	50.8	50.6	50.0	6.0
	600	24,300	17,100	6.1	3.9	54.2	53.8	52.0	8.0
	700	29,100	20,300	7.3	5.4	53.8	53.4	52.0	8.0
	600	17,900	14,600	3.6	1.3	57.9	57.6	54.0	10.0
	700	20,900	17,000	4.2	1.8	58.0	57.6	54.0	10.0
	600	12,500	11,800	2.1	0.4	62.1	60.6	56.0	12.0
	700	13,400	13,000	2.2	0.5	63.2	61.2	56.0	12.0
	600	11,200	10,800	1.6	0.3	63.6	61.3	58.0	14.0
	700	12,300	11,900	1.8	0.3	64.7	61.7	58.0	14.0
45°F	600	28,400	18,900	9.4	8.9	51.4	51.3	51.0	6.0
	700	32,500	21,800	10.8	11.5	51.8	51.6	51.0	6.0
	600	28,400	18,900	9.4	8.9	51.4	51.2	51.0	6.0
	700	27,200	19,500	6.8	4.8	54.8	54.4	53.0	8.0
	600	16,600	14,000	3.3	1.1	58.9	58.4	55.0	10.0
	700	19,400	16,300	3.9	1.6	58.9	58.4	55.0	10.0
	600	11,800	11,400	2.0	0.4	62.8	61.0	57.0	12.0
	700	13,000	12,500	2.2	0.5	63.8	61.4	57.0	12.0
	600	10,600	10,400	1.5	0.3	64.3	61.6	59.0	14.0
	700	11,600	11,600	1.7	0.3	65.0	62.0	59.0	14.0
50°F	600	20,300	15,700	6.8	4.7	56.3	56.2	56.0	6.0
	700	23,900	18,300	8.0	6.4	56.3	56.1	56.0	6.0
	600	15,000	13,300	3.7	1.5	59.9	59.3	58.0	8.0
	700	17,400	15,500	4.4	2.1	59.9	59.3	58.0	8.0
	600	10,400	10,400	2.1	0.4	64.3	61.7	60.0	10.0
	700	13,300	12,900	2.7	0.7	63.3	61.2	60.0	10.0
	600	9,300	9,300	1.5	0.3	66.0	62.3	62.0	12.0
	700	10,000	10,000	1.7	0.3	67.1	62.7	62.0	12.0
	600	8,300	8,300	1.2	0.2	67.5	62.8	64.0	14.0
	700	8,900	8,900	1.3	0.2	68.5	63.2	64.0	14.0

Propylene Glycol Solution Corrections (40°F EWT)				
Propylene Glycol %	Capacity Factor	Freezing Point (°F)	Tubeside Pressure Increase = 100% Capacity Factor	GPM Adjustment = 100% Capacity Factor
10%	0.86	26	1.3	1.6
20%	0.73	18	1.6	2.6
30%	0.69	7	2.4	5.2
40%	0.66	-8	3.6	12.2
50%	0.64	-29	5.3	26.6

**NOTICE:** Due to ongoing product development; design, specification and performance data listed within this submittal document are subject to change without notice. For the most current unit/system performance data, please refer to the product literature on our website, [www.enviromaster.com](http://www.enviromaster.com), or consult the factory.

# CAWC20 Ceiling Cassette Air Handler Performance Data Tables

Entering Water Temp	CFM	75° F DB / 62.55° F WB							
		Total Capacity (Btuh)	Sensible Capacity (Btuh)	Water Flow Rate (GPM)	Pressure Drop (Ft)	Leaving Air Temp		Leaving Water Temp (°F)	ΔT (°F)
	Low					High	DB °F		
40°F	600	26,000	18,500	8.6	7.6	46.9	46.7	46.0	6.0
	700	30,300	21,600	10.1	10.1	47.0	46.8	46.0	6.0
	600	20,100	15,800	5.0	2.7	51.1	50.7	48.0	8.0
	700	24,400	18,900	6.1	3.9	50.5	50.2	48.0	8.0
	600	14,600	13,100	2.9	0.8	55.1	54.3	50.0	10.0
	700	17,200	15,400	3.4	1.2	55.0	54.1	50.0	10.0
	600	11,600	11,300	1.9	0.4	57.8	56.0	52.0	12.0
	700	12,800	12,400	2.1	0.5	58.9	56.4	52.0	12.0
	600	10,800	10,400	1.5	0.3	59.2	56.5	54.0	14.0
	700	11,500	11,500	1.6	0.3	60.1	57.1	54.0	14.0
41°F	600	24,700	17,900	8.2	6.8	47.9	47.6	47.0	6.0
	700	28,600	20,800	9.5	9.0	48.0	47.8	47.0	6.0
	600	18,700	15,300	4.7	2.3	51.8	51.6	49.0	8.0
	700	22,800	18,000	5.7	3.5	51.6	51.1	49.0	8.0
	600	13,900	12,700	2.8	0.7	55.7	54.6	51.0	10.0
	700	16,400	14,900	3.3	1.1	55.7	54.6	51.0	10.0
	600	11,300	10,900	1.9	0.4	58.5	56.2	53.0	12.0
	700	12,100	12,100	2.0	0.4	59.2	56.7	53.0	12.0
	600	10,200	10,200	1.5	0.3	59.6	56.9	55.0	14.0
	700	11,000	11,000	1.6	0.3	60.8	57.3	55.0	14.0
42°F	600	23,300	17,200	7.7	6.2	48.9	48.6	48.0	6.0
	700	27,300	20,200	9.1	8.3	48.8	48.5	48.0	6.0
	600	17,500	14,700	4.4	2.0	52.7	52.4	50.0	8.0
	700	20,600	17,200	5.1	2.9	52.6	52.3	50.0	8.0
	600	11,800	11,500	2.4	0.5	57.5	55.9	52.0	10.0
	700	15,100	14,400	3.0	0.9	56.3	55.2	52.0	10.0
	600	10,700	10,700	1.8	0.4	58.8	56.6	54.0	12.0
	700	11,600	11,600	1.9	0.4	60.0	57.0	54.0	12.0
	600	9,700	9,700	1.4	0.3	60.3	57.2	56.0	14.0
	700	10,400	10,400	1.5	0.3	61.5	57.6	56.0	14.0
43°F	600	21,500	16,600	7.2	5.3	49.9	49.8	49.0	6.0
	700	25,700	19,400	8.5	7.4	49.8	49.5	49.0	6.0
	600	16,300	14,100	4.1	1.7	53.6	53.2	51.0	8.0
	700	18,900	16,400	4.7	2.4	53.7	53.3	51.0	8.0
	600	11,400	11,100	2.3	0.5	58.2	56.1	53.0	10.0
	700	12,400	12,400	2.5	0.6	58.9	56.6	53.0	10.0
	600	10,200	10,200	1.7	0.3	59.6	56.9	55.0	12.0
	700	11,000	11,000	1.8	0.4	60.7	57.3	55.0	12.0
	600	9,200	9,200	1.3	0.2	61.1	57.4	57.0	14.0
	700	9,900	9,900	1.4	0.3	62.2	57.9	57.0	14.0

**NOTICE:** Due to ongoing product development; design, specification and performance data listed within this submittal document are subject to change without notice. For the most current unit/system performance data, please refer to the product literature on our website, [www.enviromaster.com](http://www.enviromaster.com), or consult the factory.

# CAWC20 Ceiling Cassette Air Handler Performance Data Tables - Continued

Entering Water Temp	CFM	75° F DB / 62.55° F WB - Continued							
		Total Capacity (Btuh)	Sensible Capacity (Btuh)	Water Flow Rate (GPM)	Pressure Drop (Ft)	Leaving Air Temp		Leaving Water Temp (°F)	ΔT (°F)
	Low					High	DB °F		
44°F	600	20,700	16,100	6.9	4.9	50.6	50.4	50.0	6.0
	700	23,600	18,600	7.9	6.3	50.8	50.6	50.0	6.0
	600	15,000	13,500	3.7	1.4	54.6	54.0	52.0	8.0
	700	17,400	15,600	4.3	2.0	54.7	54.0	52.0	8.0
	600	10,800	10,800	2.2	0.5	58.6	56.5	54.0	10.0
	700	13,100	12,800	2.6	0.7	58.4	56.2	54.0	10.0
	600	9,700	9,700	1.6	0.3	60.3	57.2	56.0	12.0
	700	10,400	10,400	1.7	0.3	61.4	57.6	56.0	12.0
	600	8,700	8,700	1.2	0.2	61.8	57.7	58.0	14.0
	700	9,300	9,300	1.3	0.2	62.9	58.1	58.0	14.0
45°F	600	19,400	15,500	6.5	4.4	51.5	51.2	51.0	6.0
	700	22,800	18,200	7.6	5.9	51.4	51.1	51.0	6.0
	600	14,200	13,000	3.5	1.3	55.3	54.5	53.0	8.0
	700	16,500	15,100	4.1	1.8	55.4	54.5	53.0	8.0
	600	10,300	10,300	2.1	0.4	59.4	56.8	55.0	10.0
	700	11,200	11,200	2.2	0.5	60.5	57.2	55.0	10.0
	600	9,200	9,200	1.5	0.3	61.1	57.4	57.0	12.0
	700	9,900	9,900	1.6	0.3	62.2	57.8	57.0	12.0
	600	8,200	8,200	1.2	0.2	62.5	58.0	59.0	14.0
	700	8,800	8,800	1.3	0.2	63.6	58.4	59.0	14.0
50°F	600	12,700	12,500	4.2	1.9	56.1	55.4	56.0	6.0
	700	15,200	14,800	5.1	2.8	55.8	55.2	56.0	6.0
	600	9,700	9,700	2.4	0.6	60.2	57.1	58.0	8.0
	700	11,500	11,500	2.9	0.8	60.1	57.1	58.0	8.0
	600	7,700	7,700	1.5	0.3	63.4	58.3	60.0	10.0
	700	8,300	8,300	1.7	0.3	64.3	58.6	60.0	10.0
	600	6,700	6,700	1.1	0.2	64.8	58.8	62.0	12.0
	700	7,200	7,200	1.2	0.2	65.7	59.2	62.0	12.0
	600	5,800	5,800	0.8	0.1	66.2	59.3	64.0	14.0
	700	6,200	6,200	0.9	0.1	66.9	59.6	64.0	14.0

Propylene Glycol Solution Corrections (44°F EWT)				
Propylene Glycol %	Capacity Factor	Freezing Point (°F)	Tubeside Pressure Increase = 100% Capacity Factor	GPM Adjustment = 100% Capacity Factor
10%	0.86	26	1.3	1.6
20%	0.82	18	1.8	3.2
30%	0.79	7	2.2	5.8
40%	0.76	-8	2.7	10.5
50%	0.73	-29	3.4	17.6

**NOTICE:** Due to ongoing product development; design, specification and performance data listed within this submittal document are subject to change without notice. For the most current unit/system performance data, please refer to the product literature on our website, [www.enviromaster.com](http://www.enviromaster.com), or consult the factory.

# CAWC20 Ceiling Cassette Air Handler Performance Data Tables

Entering Water Temp	CFM	72° F DB / 60.1° F WB							
		Total Capacity (Btuh)	Sensible Capacity (Btuh)	Water Flow Rate (GPM)	Pressure Drop (Ft)	Leaving Air Temp		Leaving Water Temp (°F)	ΔT (°F)
	Low					High	DB °F		
40°F	600	20,600	16,300	6.9	4.9	47.3	47.2	46.0	6.0
	700	24,500	19,200	8.1	6.8	47.1	47.0	46.0	6.0
	600	15,700	13,800	3.9	1.6	51.1	50.6	48.0	8.0
	700	18,200	16,000	4.5	2.2	51.1	50.6	48.0	8.0
	600	11,300	11,000	2.3	0.5	55.3	53.4	50.0	10.0
	700	12,300	12,300	2.5	0.6	56.0	53.9	50.0	10.0
	600	10,100	10,100	1.7	0.3	56.6	54.1	52.0	12.0
	700	10,900	10,900	1.8	0.4	57.8	54.6	52.0	12.0
	600	9,200	9,200	1.3	0.2	58.1	54.7	54.0	14.0
	700	9,800	9,800	1.4	0.3	59.2	55.2	54.0	14.0
41°F	600	20,000	15,900	6.6	4.6	47.9	47.7	47.0	6.0
	700	23,500	18,600	7.8	6.3	47.8	47.6	47.0	6.0
	600	14,300	13,100	3.6	1.3	52.1	51.5	49.0	8.0
	700	16,700	15,200	4.2	1.8	52.2	51.5	49.0	8.0
	600	10,700	10,700	2.1	0.5	55.7	53.7	51.0	10.0
	700	11,700	11,700	2.3	0.5	56.8	54.2	51.0	10.0
	600	9,600	9,600	1.6	0.3	57.4	54.4	53.0	12.0
	700	10,400	10,400	1.7	0.4	58.5	54.9	53.0	12.0
	600	8,700	8,700	1.2	0.2	58.8	55.0	55.0	14.0
	700	9,300	9,300	1.3	0.2	59.9	55.4	55.0	14.0
42°F	600	18,700	15,200	6.2	4.1	48.9	48.6	48.0	6.0
	700	22,100	17,900	7.4	5.6	48.7	48.4	48.0	6.0
	600	13,700	12,900	3.4	1.2	52.4	51.9	50.0	8.0
	700	15,900	14,700	4.0	1.6	52.9	51.9	50.0	8.0
	600	10,200	10,200	2.0	0.4	56.5	54.1	52.0	10.0
	700	9,800	9,800	1.6	0.3	59.2	55.2	54.0	12.0
	600	9,100	9,100	1.5	0.3	58.1	54.7	54.0	12.0
	700	9,800	9,800	1.6	0.3	59.2	55.2	54.0	12.0
	600	8,200	8,200	1.2	0.2	59.6	55.3	56.0	14.0
	700	8,800	8,800	1.3	0.2	60.6	55.7	56.0	14.0
43°F	600	17,200	14,600	5.7	3.5	49.8	49.6	49.0	6.0
	700	20,500	17,300	6.8	4.8	49.5	49.4	49.0	6.0
	600	12,600	12,200	3.1	1.0	53.5	52.6	51.0	8.0
	700	14,700	14,200	3.7	1.4	53.5	52.6	51.0	8.0
	600	9,700	9,700	1.9	0.4	57.3	54.4	53.0	10.0
	700	10,500	10,500	2.1	0.5	58.3	54.8	53.0	10.0
	600	8,600	8,600	1.4	0.3	58.9	55.0	55.0	12.0
	700	9,300	9,300	1.5	0.3	59.9	55.4	55.0	12.0
	600	7,700	7,700	1.1	0.2	60.3	55.6	57.0	14.0
	700	8,200	8,200	1.2	0.2	61.3	56.0	57.0	14.0

**NOTICE:** Due to ongoing product development; design, specification and performance data listed within this submittal document are subject to change without notice. For the most current unit/system performance data, please refer to the product literature on our website, [www.enviromaster.com](http://www.enviromaster.com), or consult the factory.



# CAWC20 Ceiling Cassette Air Handler Performance Data Tables - Continued

Entering Water Temp	CFM	72° F DB / 60.1° F WB - Continued							
		Total Capacity (Btuh)	Sensible Capacity (Btuh)	Water Flow Rate (GPM)	Pressure Drop (Ft)	Leaving Air Temp		Leaving Water Temp (°F)	ΔT (°F)
						DB °F	WB °F		
44°F	600	15,700	13,900	5.2	2.9	50.9	50.6	50.0	6.0
	700	18,900	16,500	6.3	4.2	50.5	50.2	50.0	6.0
	600	11,900	11,600	3.0	0.9	54.4	53.0	52.0	8.0
	700	13,900	13,500	3.5	1.2	54.5	53.0	52.0	8.0
	600	9,200	9,200	1.8	0.4	58.1	54.7	54.0	10.0
	700	9,900	9,900	2.0	0.4	59.1	55.1	54.0	10.0
	600	8,100	8,100	1.4	0.2	59.6	55.3	56.0	12.0
	700	8,700	8,700	1.5	0.3	60.6	55.7	56.0	12.0
	600	7,200	7,200	1.0	0.2	61.0	55.9	58.0	14.0
	700	7,700	7,700	1.1	0.2	61.9	56.2	58.0	14.0
45°F	600	14,300	13,100	4.7	2.4	52.1	51.5	51.0	6.0
	700	17,200	15,600	5.7	3.5	51.7	51.2	51.0	6.0
	600	11,000	11,000	2.7	0.7	55.3	53.6	53.0	8.0
	700	12,900	12,900	3.2	1.0	55.3	53.6	53.0	8.0
	600	8,600	8,600	1.7	0.3	58.9	55.0	55.0	10.0
	700	9,300	9,300	1.9	0.4	59.8	55.4	55.0	10.0
	600	7,600	7,600	1.3	0.2	60.4	55.6	57.0	12.0
	700	8,200	8,200	1.4	0.2	61.3	56.0	57.0	12.0
	600	6,800	6,800	1.0	0.2	61.7	56.2	59.0	14.0
	700	7,200	7,200	1.0	0.2	62.6	56.5	59.0	14.0
50°F	600	10,200	10,200	3.4	1.2	56.5	54.1	56.0	6.0
	700	11,800	11,800	3.9	1.7	56.6	54.1	56.0	6.0
	600	7,200	7,200	1.8	0.3	61.1	55.9	58.0	8.0
	700	7,700	7,700	1.9	0.4	61.9	56.2	58.0	8.0
	600	6,100	6,100	1.2	0.2	62.7	56.5	60.0	10.0
	700	6,600	6,600	1.3	0.2	63.4	56.8	60.0	10.0
	600	5,300	5,300	0.9	0.1	64.0	57.0	62.0	12.0
	700	5,600	5,600	0.9	0.1	64.7	57.3	62.0	12.0
	600	4,400	4,400	0.6	0.1	65.3	57.5	64.0	14.0
	700	4,700	4,700	0.7	0.1	65.9	57.7	64.0	14.0

Propylene Glycol Solution Corrections (50°F EWT)				
Propylene Glycol %	Capacity Factor	Freezing Point (°F)	Tubeside Pressure Increase = 100% Capacity Factor	GPM Adjustment = 100% Capacity Factor
10%	0.86	26	1.3	1.6
20%	0.82	18	1.8	3.2
30%	0.79	7	2.2	5.8
40%	0.76	-8	2.7	10.5
50%	0.73	-29	3.4	17.6



**ECR International, Inc.**

2201 Dwyer Avenue • Utica, New York 13501

Phone: 800.325.5479 • Fax: 866.432.7329

E-Mail: emi@enviromaster.com • Web: enviromaster.com

**NOTICE:** Due to ongoing product development; design, specification and performance data listed within this submittal document are subject to change without notice. For the most current unit/system performance data, please refer to the product literature on our website, [www.enviromaster.com](http://www.enviromaster.com), or consult the factory.