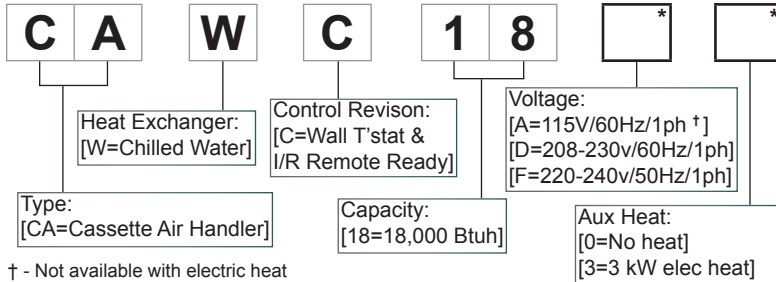


18,000 Btuh Chilled Water Ceiling Cassette Air Handler

Indoor Air Handler Model:



† - Not available with electric heat

Order Quantity of Air Handler

18,000 Btuh Chilled Water Ceiling Cassette Air Handler

* Select Voltage and Aux Heat option

No derate for 50Hz or 115v

Please indicate desired quantity of optional accessories for each air handler (max allowed)

24VAC Wired Thermostat, Single-Stage, 1-Heat/1-Cool, Manual Changeover, #240008208 (1)	5 1/4" Ø Discharge Air Duct Collar Kit, 2pcs, #240009786 (1 kit, any 2 non-adjacent sides)
24VAC Wired Thermostat, Single-Stage, 1-Heat/1-Cool, Auto Changeover, #240008210 (1)	3" Ø Fresh Air Duct Collar Kit, 3 pcs, #240003416 (1 kit)
OEM Hand-Held Infrared Remote Control (#240006566) (1, Universal for all CAWC air handlers)	Condensate Pump, 144" lift, External Floor Mount, 208/230v-#240003106 / 115v-#240003107 (Unit comes w/ 30" lift pump) (1)

NOTE: Every air handler requires either a 24VAC Wall Thermostat or an OEM Hand-Held Infrared Remote

Electrical Specifications

Model #	Volts/Ph/Hz	Fan Motor		Elec Heat		Total Amps	Min Volt.	MCA	HACR BRKR
		Amps	HP	Amps	kW				
CAWC18D0	208-230/1/60	0.55	1/8	-	-	0.6	197	0.7	15
CAWC18F0	220-240/1/50	0.55	1/8	-	-	0.6	198	0.7	15
CAWC18A0	115/1/60	1.1	1/8	-	-	1.1	104	1.4	15
CAWC18D3	208-230/1/60	0.55	1/8	13.04	3.0	13.6	197	17	20
CAWC18F3	220-240/1/50	0.55	1/8	13.6	3.2	14.2	198	17.7	20

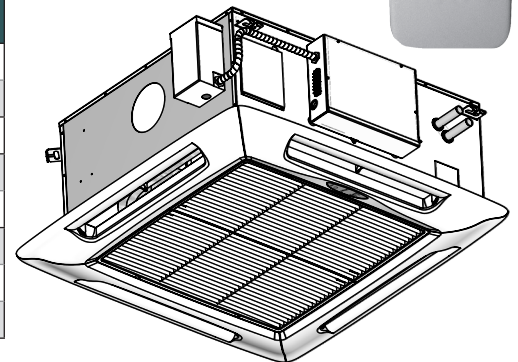


Miscellaneous Technical Data

Indoor Fan Details	High	Low	Vertical Clearance	** 14 1/8" (0.36m) min	
Discharge Air Volume [CMF (L/S)]	650 (307)	550 (260)	Ceiling Opening	33 7/8" x 33 7/8" (860 x 860 mm)	
			Gross Weight	108 lbs (49.1 kg)	
Indoor Sound Levels [dBA]	44	42	Washable Air Filter	2, Mesh, Metal Frame	
Supply Water Inlet	*7/8" Ø			80% Arrestance	
Return Water Outlet	*7/8" Ø		Condensate Pump Details		
Brand Air Duct Collar	3" Ø		Lift	Nominal Flow Rate	
Fresh Air Duct Collar	5" Ø		30" Max Head	0.1 GPM	

* Refrigerant Piping Outside Diameter

** Measured from interior face of drop-ceiling



To: _____
 Date: _____
 From: _____
 Contact: _____

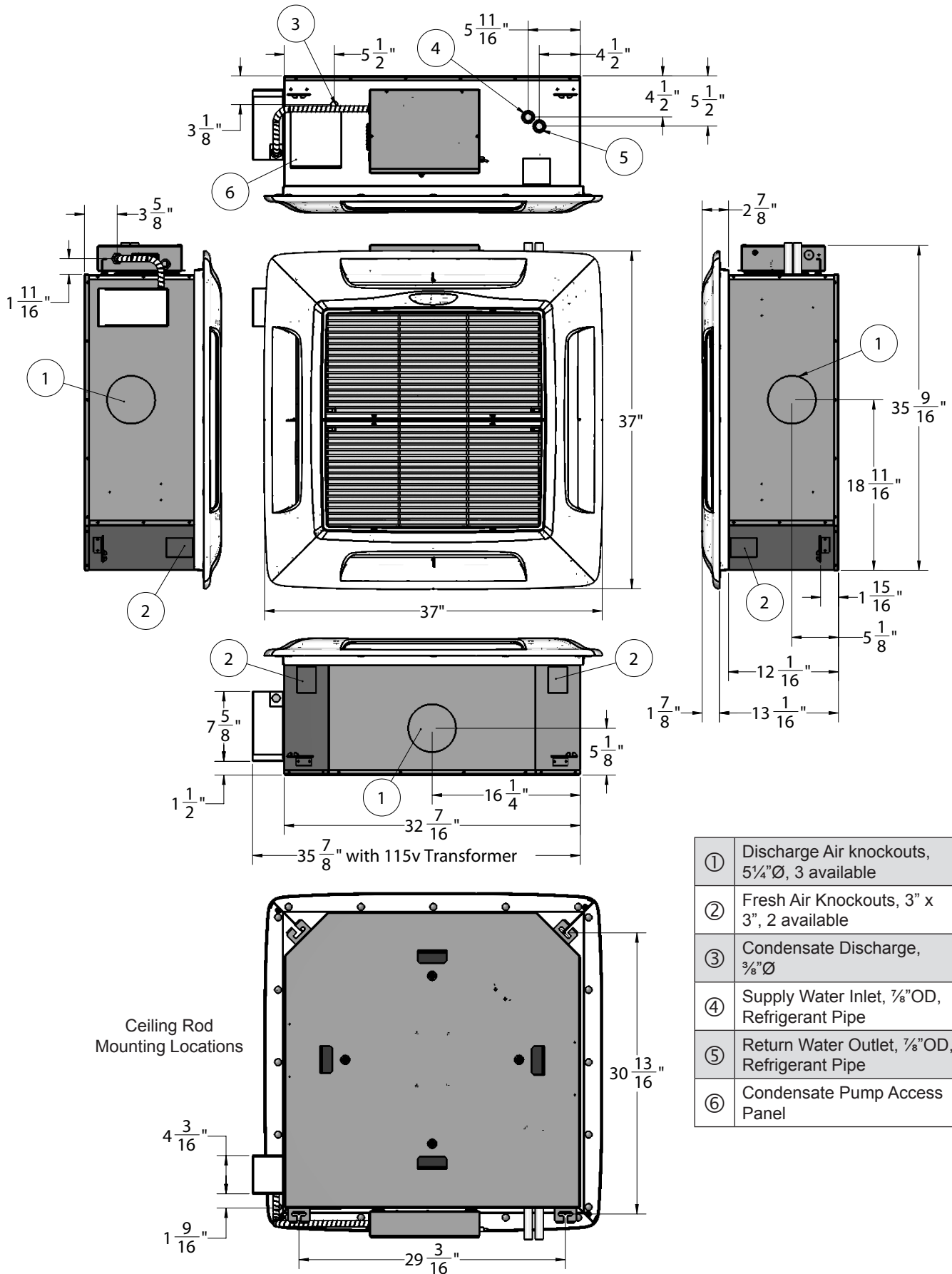
Project: _____
 Customer: _____
 Location: _____
 Engineer: _____
 Unit Tag# _____

For Your: Reference

Approval

Construction

CAWC18 Ceiling Cassette Air Handler Dimensions



①	Discharge Air knockouts, 5 1/4"Ø, 3 available
②	Fresh Air Knockouts, 3" x 3", 2 available
③	Condensate Discharge, 3/8"Ø
④	Supply Water Inlet, 7/8"OD, Refrigerant Pipe
⑤	Return Water Outlet, 7/8"OD, Refrigerant Pipe
⑥	Condensate Pump Access Panel

NOTICE: Due to ongoing product development; design, specification and performance data listed within this submittal document are subject to change without notice. For the most current unit/system performance data, please refer to the product literature on our website, www.enviromaster.com, or consult the factory.

CAWC18 Ceiling Cassette Air Handler Performance Data Tables

Entering Water Temp	CFM		80° F DB / 67° F WB						
	Low	Total Capacity (Btuh)	Sensible Capacity (Btuh)	Water Flow Rate (GPM)	Pressure Drop (Ft)	Leaving Air Temp		Leaving Water Temp (°F)	ΔT (°F)
	High					DB °F	WB °F		
40°F	550	33,200	20,600	11.0	11.99	46.1	45.9	46.0	6.0
	650	38,600	24,000	12.8	15.9	46.5	46.4	46.0	6.0
	550	28,000	18,200	7.0	5.1	50.0	49.8	48.0	8.0
	650	34,000	21,900	8.5	7.3	49.4	49.2	48.0	8.0
	550	20,300	15,000	4.0	1.7	55.3	55.2	50.0	10.0
	650	24,000	17,700	4.8	2.5	55.3	55.2	50.0	10.0
	550	14,300	12,300	2.4	0.6	59.8	58.9	52.0	12.0
	650	18,900	15,500	3.2	1.0	58.4	57.9	52.0	12.0
	550	13,100	11,500	1.9	0.4	61.0	59.7	54.0	14.0
	650	14,200	13,200	2.0	0.4	61.7	60.3	54.0	14.0
41°F	550	31,900	20,000	10.6	11.1	47.1	46.9	47.0	6.0
	650	37,000	23,300	12.3	14.7	47.5	47.4	47.0	6.0
	550	26,200	17,400	6.5	4.5	51.3	51.1	49.0	8.0
	650	32,100	21,000	8.0	6.5	50.7	50.5	49.0	8.0
	550	19,200	14,500	3.9	1.6	56.0	55.9	50.9	9.9
	650	22,400	17,000	4.5	2.1	56.3	56.0	51.0	10.0
	550	13,600	11,900	2.3	0.5	60.3	59.4	53.0	12.0
	650	17,400	14,700	2.9	0.8	59.4	58.7	53.0	12.0
	550	12,500	11,200	1.8	0.4	61.6	60.0	55.0	14.0
	650	13,500	12,700	1.9	0.4	62.3	60.6	55.0	14.0
42°F	550	30,500	19,300	10.1	10.2	48.1	48.0	48.0	6.0
	650	35,400	22,600	11.8	13.5	48.6	48.4	48.0	6.0
	550	24,100	16,500	6.0	3.8	52.8	52.6	50.0	8.0
	650	30,000	20,100	7.5	5.8	51.9	51.7	50.0	8.0
	550	19,000	14,300	3.8	1.5	56.4	56.0	52.0	10.0
	650	22,300	16,900	4.5	2.1	56.5	56.1	52.0	10.0
	550	13,100	11,600	2.2	0.5	60.9	59.7	54.1	12.1
	650	14,300	13,400	2.4	0.6	61.3	60.2	54.0	12.0
	550	11,900	11,100	1.7	0.3	61.7	60.3	56.0	14.0
	650	12,900	12,200	1.8	0.4	62.9	60.9	56.0	14.0
43°F	550	29,100	18,700	9.7	9.3	49.2	49.0	49.0	6.0
	650	33,800	21,800	11.2	12.4	49.6	49.4	49.0	6.0
	550	23,300	16,100	5.8	3.6	53.4	53.2	51.0	8.0
	650	27,800	19,200	6.9	5.0	53.2	53.0	51.0	8.0
	550	17,800	13,800	3.6	1.3	57.3	56.8	53.0	10.0
	650	21,000	16,300	4.2	1.9	57.3	56.8	53.0	10.0
	550	12,600	11,300	2.1	0.5	61.3	60.0	55.0	12.0
	650	15,000	13,400	2.5	0.6	61.3	59.9	55.0	12.0
	550	11,400	10,700	1.6	0.3	62.4	60.7	57.0	14.0
	650	12,200	11,800	1.7	0.3	63.6	61.3	57.0	14.0

NOTICE: Due to ongoing product development; design, specification and performance data listed within this submittal document are subject to change without notice. For the most current unit/system performance data, please refer to the product literature on our website, www.enviromaster.com, or consult the factory.

CAWC18 Ceiling Cassette Air Handler Performance Data Tables - Continued

Entering Water Temp	CFM	80° F DB / 67° F WB - Continued							
		Total Capacity (Btuh)	Sensible Capacity (Btuh)	Water Flow Rate (GPM)	Pressure Drop (Ft)	Leaving Air Temp		Leaving Water Temp (°F)	ΔT (°F)
	Low					High	DB °F		
44°F	550	27,700	18,100	9.2	8.5	50.2	50.1	50.0	6.0
	650	32,100	21,100	10.7	11.2	50.6	50.4	50.0	6.0
	550	21,200	15,400	5.3	3.0	54.6	54.6	52.0	8.0
	650	26,700	18,700	6.7	4.6	53.9	53.6	52.0	8.0
	550	16,400	13,400	3.3	1.1	58.0	57.6	54.0	10.0
	650	19,400	15,800	3.9	1.6	58.0	57.6	54.0	10.0
	550	12,000	11,200	2.0	0.4	61.5	60.3	56.0	12.0
	650	13,000	12,400	2.2	0.5	62.7	60.9	56.0	12.0
	550	10,800	10,300	1.5	0.3	63.0	61.0	58.0	14.0
	650	11,600	11,300	1.7	0.3	64.2	61.6	58.0	14.0
45°F	550	26,300	17,500	8.7	7.7	51.2	51.1	51.0	6.0
	650	30,500	20,400	10.1	10.2	51.6	51.4	51.0	6.0
	550	19,200	14,600	4.8	2.5	56.0	55.9	53.0	8.0
	650	24,500	18,000	6.1	3.9	55.0	54.9	53.0	8.0
	550	15,100	12,800	3.0	0.9	58.9	58.4	55.0	10.0
	650	18,000	15,100	3.6	1.3	58.9	58.4	55.0	10.0
	550	11,400	10,800	1.9	0.4	62.2	60.7	57.0	12.0
	650	12,300	12,000	2.0	0.4	63.3	61.2	57.0	12.0
	550	10,200	9,900	1.5	0.3	63.7	61.3	59.0	14.0
	650	11,300	10,900	1.6	0.3	64.8	61.7	59.0	14.0
50°F	550	18,900	14,400	6.2	4.0	56.2	56.1	56.1	6.1
	650	22,100	17,000	7.4	5.5	56.3	56.2	56.0	6.0
	550	13,700	12,200	3.4	1.2	59.8	59.3	58.0	8.0
	650	16,200	14,400	4.1	1.8	59.9	59.3	58.0	8.0
	550	9,900	9,900	2.0	0.4	63.7	61.5	60.0	10.0
	650	10,900	10,900	2.2	0.5	64.8	61.9	60.0	10.0
	550	8,800	8,800	1.5	0.3	65.4	62.1	62.0	12.0
	650	9,600	9,600	1.6	0.3	66.6	62.5	62.0	12.0
	550	7,900	7,900	1.1	0.2	66.9	62.6	64.0	14.0
	650	8,600	8,600	1.2	0.2	68.0	63.0	64.0	14.0

Propylene Glycol Solution Corrections (40°F EWT)				
Propylene Glycol %	Capacity Factor	Freezing Point (°F)	Tubeside Pressure Increase = 100% Capacity Factor	GPM Adjustment = 100% Capacity Factor
10%	0.85	26	1.3	1.6
20%	0.75	18	1.6	2.6
30%	0.71	7	2.4	5.3
40%	0.68	-8	3.8	13.7
50%	0.66	-29	4.9	25.1

NOTICE: Due to ongoing product development; design, specification and performance data listed within this submittal document are subject to change without notice. For the most current unit/system performance data, please refer to the product literature on our website, www.enviromaster.com, or consult the factory.

CAWC18 Ceiling Cassette Air Handler Performance Data Tables

Entering Water Temp	CFM	75° F DB / 62.55° F WB							
		Total Capacity (Btuh)	Sensible Capacity (Btuh)	Water Flow Rate (GPM)	Pressure Drop (Ft)	Leaving Air Temp		Leaving Water Temp (°F)	ΔT (°F)
	Low					High	DB °F		
40°F	550	23,700	16,900	7.85	6.37	47	46.9	46.0	6.0
	650	28,300	20,100	9.4	8.9	46.8	46.6	46.0	6.0
	550	18,500	14,500	4.6	2.3	51.0	50.7	48.0	8.0
	650	22,200	17,300	5.5	3.3	50.8	50.5	48.0	8.0
	550	12,500	11,800	2.5	0.6	55.6	54.8	50.0	10.0
	650	15,900	14,300	3.2	1.0	55.0	54.2	50.0	10.0
	550	11,200	10,700	1.9	0.4	57.2	55.7	52.0	12.0
	650	12,300	11,900	2.1	0.5	58.4	56.2	52.0	12.0
	550	10,100	9,900	1.4	0.3	58.7	56.4	54.0	14.0
	650	11,100	11,100	1.6	0.3	59.5	56.8	54.0	14.0
41°F	550	22,600	16,400	7.5	5.8	47.9	47.7	47.0	6.0
	650	26,500	19,300	8.8	7.9	48.0	47.8	47.0	6.0
	550	17,200	14,100	4.3	1.9	51.7	51.6	49.0	8.0
	650	20,200	16,500	5.0	2.8	51.9	51.7	49.0	8.0
	550	11,900	11,300	2.4	0.6	56.3	55.2	51.0	10.0
	650	15,200	13,800	3.0	0.9	55.7	54.6	51.0	10.0
	550	10,600	10,300	1.8	0.4	57.9	56.1	53.0	12.0
	650	11,800	11,400	2.0	0.4	59.0	56.5	53.0	12.0
	550	9,900	9,500	1.4	0.3	59.3	56.5	55.0	14.0
	650	10,600	10,600	1.5	0.3	60.2	57.1	55.0	14.0
42°F	550	21,200	15,700	7.1	5.2	49.0	48.7	48.0	6.0
	650	25,400	18,700	8.4	7.2	48.8	48.5	48.0	6.0
	550	16,100	13,500	4.0	1.7	52.7	52.4	50.0	8.0
	650	19,000	15,900	4.7	2.4	52.7	52.4	50.0	8.0
	550	11,200	10,900	2.2	0.5	57.0	55.6	52.0	10.0
	650	14,000	13,300	2.8	0.7	56.4	55.3	52.0	10.0
	550	10,300	10,000	1.7	0.3	58.5	56.3	54.0	12.0
	650	11,100	11,100	1.9	0.4	59.4	56.8	54.0	12.0
	550	9,300	9,300	1.3	0.2	59.7	56.9	56.0	14.0
	650	10,100	10,100	1.4	0.3	60.9	57.4	56.0	14.0
43°F	550	19,500	15,100	6.5	4.4	50.0	50.0	49.0	6.0
	650	23,500	18,000	7.8	6.3	49.8	49.7	49.0	6.0
	550	14,900	12,900	3.7	1.4	53.6	53.2	51.0	8.0
	650	17,600	15,200	4.4	2.0	53.7	53.2	51.0	8.0
	550	10,900	10,500	2.2	0.5	57.6	55.9	53.0	10.0
	650	11,900	11,900	2.4	0.5	58.4	56.4	53.0	10.0
	550	9,700	9,700	1.6	0.3	58.9	56.6	55.0	12.0
	650	10,600	10,600	1.8	0.4	60.2	57.1	55.0	12.0
	550	8,800	8,800	1.3	0.2	60.4	57.2	57.0	14.0
	650	9,500	9,500	1.4	0.2	61.6	57.7	57.0	14.0

NOTICE: Due to ongoing product development; design, specification and performance data listed within this submittal document are subject to change without notice. For the most current unit/system performance data, please refer to the product literature on our website, www.enviromaster.com, or consult the factory.

CAWC18 Ceiling Cassette Air Handler Performance Data Tables - Continued

Entering Water Temp	CFM	75° F DB / 62.55° F WB - Continued							
		Total Capacity (Btuh)	Sensible Capacity (Btuh)	Water Flow Rate (GPM)	Pressure Drop (Ft)	Leaving Air Temp		Leaving Water Temp (°F)	ΔT (°F)
	Low					High	DB °F		
44°F	550	18,800	14,700	6.3	4.1	50.7	50.5	50.0	6.0
	650	22,400	17,500	7.4	5.6	50.6	50.4	50.0	6.0
	550	13,700	12,300	3.4	1.2	54.6	54.0	52.0	8.0
	650	16,200	14,500	4.0	1.7	54.6	54.0	52.0	8.0
	550	10,300	10,300	2.1	0.4	58.0	56.2	54.0	10.0
	650	11,300	11,300	2.3	0.5	59.2	56.7	54.0	10.0
	550	9,300	9,300	1.5	0.3	59.7	56.9	56.0	12.0
	650	10,100	10,100	1.7	0.3	60.9	57.4	56.0	12.0
	550	8,300	8,300	1.2	0.2	61.2	57.5	58.0	14.0
	650	9,000	9,000	1.3	0.2	62.4	57.9	58.0	14.0
45°F	550	17,600	14,100	5.9	3.6	51.6	51.3	51.0	6.0
	650	21,100	16,900	7.0	5.1	51.4	51.2	51.0	6.0
	550	13,000	11,900	3.2	1.1	55.3	54.5	53.0	8.0
	650	15,300	14,000	3.8	1.5	55.4	54.5	53.0	8.0
	550	9,800	9,800	2.0	0.4	58.8	56.6	55.0	10.0
	650	10,700	10,700	2.1	0.5	60.0	57.0	55.0	10.0
	550	8,800	8,800	1.5	0.3	60.5	57.2	57.0	12.0
	650	9,500	9,500	1.6	0.3	61.7	57.7	57.0	12.0
	550	7,900	7,900	1.1	0.2	62.0	57.8	59.0	14.0
	650	8,500	8,500	1.2	0.2	63.1	58.2	59.0	14.0
50°F	550	11,700	11,500	3.9	1.6	56.1	55.4	56.0	6.0
	650	13,900	13,600	4.6	2.3	56.0	55.3	56.0	6.0
	550	8,400	8,400	2.1	0.4	61.1	57.5	58.0	8.0
	650	10,600	10,600	2.7	0.7	60.2	57.1	58.0	8.0
	550	7,300	7,300	1.5	0.3	62.9	58.1	60.0	10.0
	650	8,000	8,000	1.6	0.3	63.8	58.5	60.0	10.0
	550	6,400	6,400	1.1	0.2	64.4	58.7	62.0	12.0
	650	7,000	7,000	1.2	0.2	65.3	59.0	62.0	12.0
	550	5,600	5,600	0.8	0.1	65.7	59.2	64.0	14.0
	650	6,000	6,000	0.9	0.1	66.5	59.5	64.0	14.0

Propylene Glycol Solution Corrections (44°F EWT)				
Propylene Glycol %	Capacity Factor	Freezing Point (°F)	Tubeside Pressure Increase = 100% Capacity Factor	GPM Adjustment = 100% Capacity Factor
10%	0.85	26	1.3	1.6
20%	0.75	18	1.6	2.6
30%	0.71	7	2.4	5.3
40%	0.68	-8	3.8	13.7
50%	0.66	-29	4.9	25.1

NOTICE: Due to ongoing product development; design, specification and performance data listed within this submittal document are subject to change without notice. For the most current unit/system performance data, please refer to the product literature on our website, www.enviromaster.com, or consult the factory.

CAWC18 Ceiling Cassette Air Handler Performance Data Tables

Entering Water Temp	CFM		72° F DB / 60.1° F WB						
	Low	Total Capacity (Btuh)	Sensible Capacity (Btuh)	Water Flow Rate (GPM)	Pressure Drop (Ft)	Leaving Air Temp		Leaving Water Temp (°F)	ΔT (°F)
	High					DB °F	WB °F		
40°F	550	19,300	15,000	6.4	4.3	47.1	46.9	46.0	6.0
	650	22,600	17,700	7.5	5.9	47.2	47.1	46.0	6.0
	550	14,400	12,600	3.6	1.3	51.1	50.6	48.0	8.0
	650	17,000	14,900	4.2	1.9	51.1	50.6	48.0	8.0
	550	10,800	10,400	2.1	0.5	54.8	53.1	50.0	10.0
	650	11,800	11,800	2.4	0.6	55.5	53.7	50.0	10.0
	550	9,700	9,700	1.6	0.3	56.0	53.8	52.0	12.0
	650	10,600	10,600	1.8	0.4	57.2	54.4	52.0	12.0
	550	8,800	8,800	1.3	0.2	57.5	54.5	54.0	14.0
	650	9,500	9,500	1.4	0.3	58.7	54.9	54.0	14.0
41°F	550	18,100	14,500	6.0	3.9	48.1	47.8	47.0	6.0
	650	21,700	17,200	7.2	5.4	47.8	47.6	47.0	6.0
	550	13,100	12,000	3.3	1.1	52.1	51.5	49.0	8.0
	650	15,500	14,200	3.9	1.5	52.1	51.5	49.0	8.0
	550	10,300	10,000	2.1	0.5	55.5	53.4	51.0	10.0
	650	11,200	11,200	2.2	0.5	56.3	54.0	51.0	10.0
	550	9,200	9,200	1.5	0.3	56.7	54.2	53.0	12.0
	650	10,000	10,000	1.7	0.3	58.0	54.7	53.0	12.0
	550	8,300	8,300	1.2	0.2	58.2	54.8	55.0	14.0
	650	9,000	9,000	1.3	0.2	59.4	55.2	55.0	14.0
42°F	550	16,800	13,900	5.6	3.3	48.9	48.9	48.0	6.0
	650	20,400	16,600	6.8	4.8	48.8	48.5	48.0	6.0
	550	12,500	11,900	3.1	1.0	52.4	51.9	50.0	8.0
	650	14,800	13,700	3.7	1.4	52.8	51.9	50.0	8.0
	550	9,700	9,700	1.9	0.4	55.9	53.8	52.0	10.0
	650	10,700	10,700	2.1	0.5	57.1	54.3	52.0	10.0
	550	8,700	8,700	1.5	0.3	57.5	54.5	54.0	12.0
	650	9,500	9,500	1.6	0.3	58.7	54.9	54.0	12.0
	550	7,900	7,900	1.1	0.2	59.0	55.1	56.0	14.0
	650	8,500	8,500	1.2	0.2	60.1	55.5	56.0	14.0
43°F	550	15,400	13,300	5.1	2.9	50.0	49.8	49.0	6.0
	650	18,900	16,000	6.3	4.1	49.6	49.4	49.0	6.0
	550	11,500	11,200	2.9	0.8	53.5	52.6	51.0	8.0
	650	13,700	13,200	3.4	1.2	53.5	52.6	51.0	8.0
	550	9,200	9,200	1.8	0.4	56.7	54.1	53.0	10.0
	650	10,100	10,100	2.0	0.4	57.8	54.6	53.0	10.0
	550	8,300	8,300	1.4	0.3	58.3	54.8	55.0	12.0
	650	9,000	9,000	1.5	0.3	59.4	55.3	55.0	12.0
	550	7,400	7,400	1.1	0.2	59.7	55.4	57.0	14.0
	650	8,000	8,000	1.1	0.2	60.8	55.8	57.0	14.0

NOTICE: Due to ongoing product development; design, specification and performance data listed within this submittal document are subject to change without notice. For the most current unit/system performance data, please refer to the product literature on our website, www.enviromaster.com, or consult the factory.

CAWC18 Ceiling Cassette Air Handler Performance Data Tables - Continued

Entering Water Temp	CFM	72° F DB / 60.1° F WB - Continued							
	Low	Total Capacity (Btuh)	Sensible Capacity (Btuh)	Water Flow Rate (GPM)	Pressure Drop (Ft)	Leaving Air Temp		Leaving Water Temp (°F)	ΔT (°F)
	High					DB °F	WB °F		
44°F	550	14,100	12,600	4.7	2.4	51.1	50.8	50.0	6.0
	650	17,400	15,200	5.8	3.6	50.7	50.4	50.0	6.0
	550	10,900	10,600	2.7	0.7	54.5	53.0	52.0	8.0
	650	12,900	12,500	3.2	1.0	54.4	53.0	52.0	8.0
	550	8,700	8,700	1.7	0.4	57.5	54.5	54.0	10.0
	650	9,600	9,600	1.9	0.4	58.6	54.9	54.0	10.0
	550	7,800	7,800	1.3	0.2	59.1	55.1	56.0	12.0
	650	8,500	8,500	1.4	0.3	60.2	55.5	56.0	12.0
	550	6,900	6,900	1.0	0.2	60.5	55.7	58.0	14.0
	650	7,500	7,500	1.1	0.2	61.5	56.0	58.0	14.0
45°F	550	13,100	12,100	4.3	2.0	52.0	51.5	51.1	6.1
	650	15,600	14,300	5.2	2.9	51.9	51.4	51.0	6.0
	550	10,100	10,100	2.5	0.6	55.4	53.6	53.0	8.0
	650	12,000	12,000	3.0	0.9	55.3	53.6	53.0	8.0
	550	8,300	8,300	1.7	0.3	58.3	54.8	55.0	10.0
	650	9,000	9,000	1.8	0.4	59.4	55.2	55.0	10.0
	550	7,300	7,300	1.2	0.2	59.9	55.4	57.0	12.0
	650	7,900	7,900	1.3	0.2	60.9	55.8	57.0	12.0
	550	6,500	6,500	0.9	0.1	61.2	56.0	59.0	14.0
	650	7,000	7,000	1.0	0.2	62.2	56.3	59.0	14.0
50°F	550	9,400	9,400	3.1	1.0	56.5	54.1	56.0	6.0
	650	11,000	11,000	3.7	1.4	56.5	54.1	56.0	6.0
	550	6,800	6,800	1.7	0.3	60.7	55.7	58.0	8.0
	650	7,500	7,500	1.9	0.4	61.6	56.1	58.0	8.0
	550	5,900	5,900	1.2	0.2	62.3	56.3	60.0	10.0
	650	6,400	6,400	1.3	0.2	63.1	56.7	60.0	10.0
	550	5,100	5,100	0.8	0.1	63.6	56.9	62.0	12.0
	650	5,400	5,400	0.9	0.1	64.4	57.2	62.0	12.0
	550	4,300	4,300	0.6	0.1	64.9	57.4	64.0	14.0
	650	4,600	4,600	0.7	0.1	65.6	57.6	64.0	14.0

Propylene Glycol Solution Corrections (50°F EWT)				
Propylene Glycol %	Capacity Factor	Freezing Point (°F)	Tubeside Pressure Increase = 100% Capacity Factor	GPM Adjustment = 100% Capacity Factor
10%	0.95	26	1.1	1.5
20%	0.92	18	1.3	2.3
30%	0.88	7	1.5	3.7
40%	0.85	-8	1.7	6.0
50%	0.81	-29	2.0	10.0



ECR International, Inc.

2201 Dwyer Avenue • Utica, New York 13501

Phone: 800.325.5479 • Fax: 866.432.7329

E-Mail: emi@enviromaster.com • Web: enviromaster.com

NOTICE: Due to ongoing product development; design, specification and performance data listed within this submittal document are subject to change without notice. For the most current unit/system performance data, please refer to the product literature on our website, www.enviromaster.com, or consult the factory.