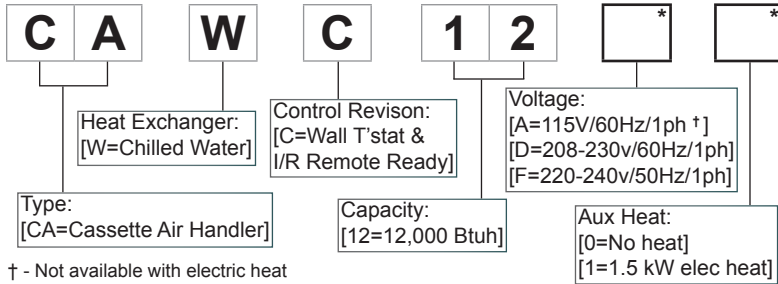


12,000 Btuh Chilled Water Ceiling Cassette Air Handler

Indoor Air Handler Model:



† - Not available with electric heat

Order Quantity of Air Handler

12,000 Btuh Chilled Water Ceiling Cassette Air Handler

* Select Voltage and Aux Heat option

No derate for 50Hz or 115v

Please indicate desired quantity of optional accessories for each air handler (max allowed)

24VAC Wired Thermostat, Single-Stage, 1-Heat/1-Cool, Manual Changeover, #240008208 (1)	5 1/4" Ø Discharge Air Duct Collar Kit, 2pcs, #240009786 (1 kit, any 2 non-adjacent sides)
24VAC Wired Thermostat, Single-Stage, 1-Heat/1-Cool, Auto Changeover, #240008210 (1)	3" Ø Fresh Air Duct Collar Kit, 3 pcs, #240003416 (1 kit)
OEM Hand-Held Infrared Remote Control (#240006566) (1, Universal for all CAWC air handlers)	Condensate Pump, 144" lift, External Floor Mount, 208/230v-#240003106 / 115v-#240003107 (Unit comes w/ 30" lift pump) (1)

NOTE: Every air handler requires either a 24VAC Wall Thermostat or an OEM Hand-Held Infrared Remote

Electrical Specifications

Model #	Volts/Ph/Hz	Fan Motor		Elec Heat		Total Amps	Min Volt.	MCA	HACR BRKR
		Amps	HP	Amps	kW				
CAWC12D0	208-230/1/60	0.35	1/10	-	-	0.4	197	0.5	15
CAWC12F0	220-240/1/50	0.35	1/10	-	-	0.4	198	0.4	15
CAWC12A0	115/1/60	0.9	1/10			0.9	104	1.2	15
CAWC12D1	208-230/1/60	0.35	1/10	6.52	1.5	6.9	197	8.6	15
CAWC12F1	220-240/1/50	0.35	1/10	6.8	1.56	7.2	198	8.9	15



Intertek

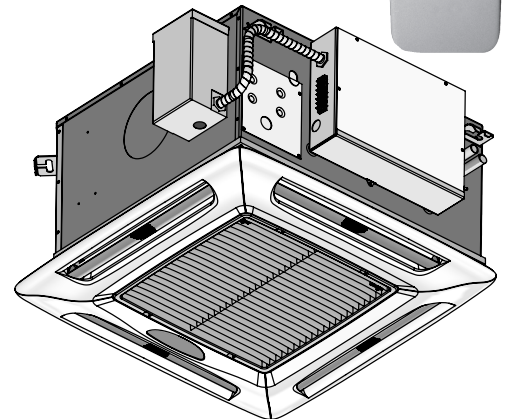


Miscellaneous Technical Data

Indoor Fan Details	High	Low	Vertical Clearance	** 13 5/8" (0.35m) min	
Discharge Air Volume [CMF (L/S)]	360 (170)	300 (142)	Ceiling Opening	23 1/4" x 23 1/4" (591 x 591 mm)	
			Gross Weight	70 lbs (31.8 kg)	
Indoor Sound Levels [dBA]	41	39	Washable Air Filter	1, Mesh, Metal Frame	
Supply Water Inlet	*5/8" Ø			80% Arrestance	
Return Water Outlet	*5/8" Ø		Condensate Pump Details		
Brand Air Duct Collar	~3" Ø		Lift	Nominal Flow Rate	
Fresh Air Duct Collar	5" Ø		30" Max Head	0.1 GPM	

* Refrigerant Piping Outside Diameter

** Measured from interior face of drop-ceiling

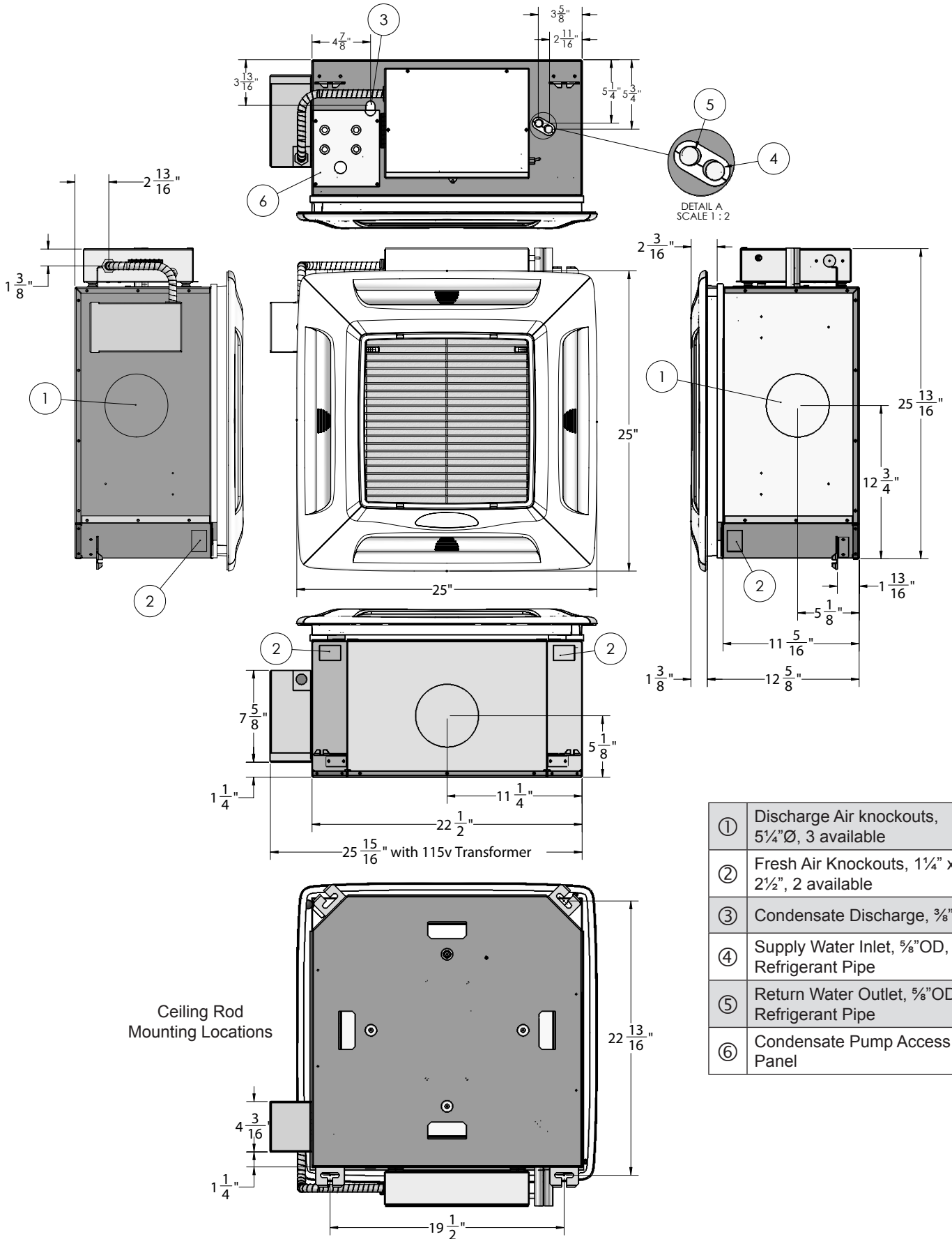


To: _____
 Date: _____
 From: _____
 Contact: _____

Project: _____
 Customer: _____
 Location: _____
 Engineer: _____
 Unit Tag# _____

For Your: Reference Approval Construction

CAWC12 Ceiling Cassette Air Handler Dimensions



①	Discharge Air knockouts, 5 1/4"Ø, 3 available
②	Fresh Air Knockouts, 1 1/4" x 2 1/2", 2 available
③	Condensate Discharge, 3/8"Ø
④	Supply Water Inlet, 3/8"OD, Refrigerant Pipe
⑤	Return Water Outlet, 3/8"OD, Refrigerant Pipe
⑥	Condensate Pump Access Panel

NOTICE: Due to ongoing product development; design, specification and performance data listed within this submittal document are subject to change without notice. For the most current unit/system performance data, please refer to the product literature on our website, www.enviromaster.com, or consult the factory.

CAWC12 Ceiling Cassette Air Handler Performance Data Tables

Entering Water Temp	CFM	80° F DB / 67° F WB							
		Total Capacity (Btuh)	Sensible Capacity (Btuh)	Water Flow Rate (GPM)	Pressure Drop (Ft)	Leaving Air Temp		Leaving Water Temp (°F)	ΔT (°F)
	Low					High	DB °F		
40°F	300	13,964	9,788	4.63	9.07	45.3	45.3	46.0	6.0
	360	16,512	11,625	5.48	12.44	45.6	45.6	46.0	6.0
	300	12,331	9,021	3.07	4.20	47.7	47.7	48.0	8.0
	360	14,592	10,725	3.63	5.74	47.9	47.9	48.0	8.0
	300	10,720	8,295	2.14	1.98	49.9	49.9	50.0	10.0
	360	12,717	9,891	2.53	2.89	50.0	50.0	50.0	10.0
	300	9,157	7,622	1.52	0.94	51.9	51.9	52.0	12.0
	360	10,891	9,104	1.81	1.38	52.0	52.0	52.0	12.0
	300	7,568	6,776	1.08	0.50	54.5	53.9	54.0	14.0
	360	8,488	7,830	1.21	0.59	55.2	54.5	54.0	14.0
41°F	300	13,295	9,465	4.41	8.26	46.3	46.3	47.0	6.0
	360	15,710	11,242	5.21	11.29	46.6	46.6	47.0	6.0
	300	11,694	8,731	2.91	3.79	48.5	48.5	49.0	8.0
	360	13,849	10,387	3.45	5.21	48.8	48.8	49.0	8.0
	300	10,066	8,010	2.01	1.73	50.7	50.7	51.0	10.0
	360	11,945	9,548	2.38	2.53	50.9	50.9	51.0	10.0
	300	8,593	7,348	1.43	0.82	52.7	52.6	53.0	12.0
	360	10,223	8,763	1.70	1.20	52.9	52.7	53.0	12.0
	300	7,193	6,592	1.02	0.46	55.0	54.4	55.0	14.0
	360	8,087	7,528	1.15	0.55	56.0	54.9	55.0	14.0
42°F	300	12,630	9,156	4.19	7.49	47.2	47.2	48.0	6.0
	360	14,924	10,876	4.95	10.24	47.5	47.5	48.0	6.0
	300	11,019	8,424	2.75	3.39	49.5	49.5	50.0	8.0
	360	13,045	10,029	3.25	4.65	49.7	49.7	50.0	8.0
	300	9,612	7,815	1.92	1.57	51.3	51.3	52.0	10.0
	360	11,391	9,311	2.27	2.28	51.5	51.5	52.0	10.0
	300	7,558	6,799	1.26	0.62	54.4	53.9	54.0	12.0
	360	9,473	8,425	1.57	1.02	53.7	53.5	54.0	12.0
	300	6,838	6,351	0.97	0.43	55.7	54.8	56.0	14.0
	360	7,662	7,286	1.09	0.50	56.6	55.3	56.0	14.0
43°F	300	11,928	8,831	3.96	6.72	48.2	48.2	49	6
	360	14,076	10,489	4.67	9.16	48.5	48.5	49	6
	300	10,439	8,171	2.6	3.06	50.2	50.2	51	8
	360	12,361	9,735	3.08	4.19	50.4	50.4	51	8
	300	9,016	7,557	1.8	1.37	52.1	52.1	53	10
	360	10,690	9,020	2.13	1.99	52.2	52.2	53	10
	300	7,122	6,610	1.18	0.56	55	54.5	55	12
	360	8,909	8,064	1.48	0.89	54.6	54.1	55	12
	300	6,473	6,148	0.92	0.39	56.4	55.2	57	14
	360	7,238	6,961	1.03	0.46	57.4	55.8	57	14

NOTICE: Due to ongoing product development; design, specification and performance data listed within this submittal document are subject to change without notice. For the most current unit/system performance data, please refer to the product literature on our website, www.enviromaster.com, or consult the factory.

CAWC12 Ceiling Cassette Air Handler Performance Data Tables - Continued

Entering Water Temp	CFM		80° F DB / 67° F WB - Continued							
	Low	High	Total Capacity (Btuh)	Sensible Capacity (Btuh)	Water Flow Rate (GPM)	Pressure Drop (Ft)	Leaving Air Temp		Leaving Water Temp (°F)	ΔT (°F)
							DB °F	WB °F		
44°F	300	360	11,260	8,536	3.74	6.03	49.1	49.1	50.0	6.0
	360	300	13,307	10,145	4.42	8.24	49.4	49.4	50.0	6.0
	300	360	9,793	7,887	2.44	2.69	51.1	51.1	52.0	8.0
	360	300	11,597	9,398	2.89	3.72	51.3	51.3	52.0	8.0
	300	360	8,428	7,314	1.68	1.18	52.8	52.8	54.0	10.0
	360	300	10,006	8,734	2.00	1.73	52.9	52.9	54.0	10.0
	300	360	6,771	6,345	1.13	0.52	55.8	54.9	56.0	12.0
	360	300	8,269	7,714	1.37	0.76	55.5	54.7	56.0	12.0
	300	360	6,113	5,871	0.87	0.36	57.2	55.7	58.0	14.0
	360	300	6,879	6,642	0.98	0.42	58.2	56.1	58.0	14.0
45°F	300	360	10,655	8,262	3.54	5.43	50.00	50.00	51.00	6.00
	360	300	12,592	9,836	4.18	7.41	50.20	50.20	51.00	6.00
	300	360	9,312	7,682	2.32	2.41	51.70	51.70	53.00	8.00
	360	300	11,018	9,158	2.75	3.37	51.90	51.90	53.00	8.00
	300	360	7,819	7,036	1.56	1.01	53.70	53.60	55.00	10.00
	360	300	9,281	8,377	1.85	1.47	53.80	53.70	55.00	10.00
	300	360	6,396	6,129	1.06	0.47	56.40	55.30	57.00	12.00
	360	300	7,234	6,978	1.20	0.57	57.40	55.80	57.00	12.00
	300	360	5,809	5,597	0.83	0.33	58.00	56.00	59.00	14.00
	360	300	6,484	6,372	0.92	0.39	58.90	56.50	59.00	14.00
50°F	300	360	7,670	6,999	2.55	2.91	53.8	53.8	56.0	6.0
	360	300	9,074	8,347	3.02	3.99	53.9	53.9	56.0	6.0
	300	360	6,602	6,398	1.65	1.15	55.6	55.1	58.0	8.0
	360	300	7,836	7,604	1.96	1.68	55.8	55.2	58.0	8.0
	300	360	5,332	5,281	1.07	0.46	59.0	56.6	60.0	10.0
	360	300	6,559	6,493	1.31	0.70	58.6	56.4	60.0	10.0
	300	360	4,553	4,553	0.76	0.28	61.2	57.5	62.0	12.0
	360	300	5,115	5,115	0.85	0.33	62.1	57.8	62.0	12.0
	300	360	3,985	3,985	0.57	0.18	62.9	58.1	64.0	14.0
	360	300	4,444	4,444	0.63	0.22	63.8	58.4	64.0	14.0

Propylene Glycol Solution Corrections (40°F EWT)				
Propylene Glycol %	Capacity Factor	Freezing Point (°F)	Tubeside Pressure Increase = 100% Capacity Factor	GPM Adjustment = 100% Capacity Factor
10%	0.92	26	1.2	1.5
20%	0.82	18	1.5	2.2
30%	0.73	7	2.1	4.1
40%	0.70	-8	3.0	8.6
50%	0.67	-29	4.1	16.3

NOTICE: Due to ongoing product development; design, specification and performance data listed within this submittal document are subject to change without notice. For the most current unit/system performance data, please refer to the product literature on our website, www.enviromaster.com, or consult the factory.

CAWC12 Ceiling Cassette Air Handler Performance Data Tables

Entering Water Temp	CFM	75° F DB / 62.55° F WB							
		Total Capacity (Btuh)	Sensible Capacity (Btuh)	Water Flow Rate (GPM)	Pressure Drop (Ft)	Leaving Air Temp		Leaving Water Temp (°F)	ΔT (°F)
	Low					High	DB °F		
40°F	300	13,964	9,788	4.63	9.07	45.3	45.3	46.0	6.0
	360	16,512	11,625	5.48	12.44	45.6	45.6	46.0	6.0
	300	12,331	9,021	3.07	4.20	47.7	47.7	48.0	8.0
	360	14,592	10,725	3.63	5.74	47.9	47.9	48.0	8.0
	300	10,720	8,295	2.14	1.98	49.9	49.9	50.0	10.0
	360	12,717	9,891	2.53	2.89	50.0	50.0	50.0	10.0
	300	9,157	7,622	1.52	0.94	51.9	51.9	52.0	12.0
	360	10,891	9,104	1.81	1.38	52.0	52.0	52.0	12.0
	300	7,568	6,776	1.08	0.50	54.5	53.9	54.0	14.0
	360	8,488	7,830	1.21	0.59	55.2	54.5	54.0	14.0
41°F	300	13,295	9,465	4.41	8.26	46.3	46.3	47.0	6.0
	360	15,710	11,242	5.21	11.29	46.6	46.6	47.0	6.0
	300	11,694	8,731	2.91	3.79	48.5	48.5	49.0	8.0
	360	13,849	10,387	3.45	5.21	48.8	48.8	49.0	8.0
	300	10,066	8,010	2.01	1.73	50.7	50.7	51.0	10.0
	360	11,945	9,548	2.38	2.53	50.9	50.9	51.0	10.0
	300	8,593	7,348	1.43	0.82	52.7	52.6	53.0	12.0
	360	10,223	8,763	1.70	1.20	52.9	52.7	53.0	12.0
	300	7,193	6,592	1.02	0.46	55.0	54.4	55.0	14.0
	360	8,087	7,528	1.15	0.55	56.0	54.9	55.0	14.0
42°F	300	12,630	9,156	4.19	7.49	47.2	47.2	48.0	6.0
	360	14,924	10,876	4.95	10.24	47.5	47.5	48.0	6.0
	300	11,019	8,424	2.75	3.39	49.5	49.5	50.0	8.0
	360	13,045	10,029	3.25	4.65	49.7	49.7	50.0	8.0
	300	9,612	7,815	1.92	1.57	51.3	51.3	52.0	10.0
	360	11,391	9,311	2.27	2.28	51.5	51.5	52.0	10.0
	300	7,558	6,799	1.26	0.62	54.4	53.9	54.0	12.0
	360	9,473	8,425	1.57	1.02	53.7	53.5	54.0	12.0
	300	6,838	6,351	0.97	0.43	55.7	54.8	56.0	14.0
	360	7,662	7,286	1.09	0.50	56.6	55.3	56.0	14.0
43°F	300	11,928	8,831	3.96	6.72	48.2	48.2	49.0	6.0
	360	14,076	10,489	4.67	9.16	48.5	48.5	49.0	6.0
	300	10,439	8,171	2.6	3.06	50.2	50.2	51.0	8.0
	360	12,361	9,735	3.08	4.19	50.4	50.4	51.0	8.0
	300	9,016	7,557	1.8	1.37	52.1	52.1	53.0	10.0
	360	10,690	9,020	2.13	1.99	52.2	52.2	53.0	10.0
	300	7,122	6,610	1.18	0.56	55	54.5	55.0	12.0
	360	8,909	8,064	1.48	0.89	54.6	54.1	55.0	12.0
	300	6,473	6,148	0.92	0.39	56.4	55.2	57.0	14.0
	360	7,238	6,961	1.03	0.46	57.4	55.8	57.0	14.0

NOTICE: Due to ongoing product development; design, specification and performance data listed within this submittal document are subject to change without notice. For the most current unit/system performance data, please refer to the product literature on our website, www.enviromaster.com, or consult the factory.

CAWC12 Ceiling Cassette Air Handler Performance Data Tables - Continued

Entering Water Temp	CFM	75° F DB / 62.55° F WB - Continued							
		Total Capacity (Btuh)	Sensible Capacity (Btuh)	Water Flow Rate (GPM)	Pressure Drop (Ft)	Leaving Air Temp		Leaving Water Temp (°F)	ΔT (°F)
	Low					High	DB °F		
44°F	300	11,260	8,536	3.74	6.03	49.1	49.1	50.0	6.0
	360	13,307	10,145	4.42	8.24	49.4	49.4	50.0	6.0
	300	9,793	7,887	2.44	2.69	51.1	51.1	52.0	8.0
	360	11,597	9,398	2.89	3.72	51.3	51.3	52.0	8.0
	300	8,428	7,314	1.68	1.18	52.8	52.8	54.0	10.0
	360	10,006	8,734	2.00	1.73	52.9	52.9	54.0	10.0
	300	6,771	6,345	1.13	0.52	55.8	54.9	56.0	12.0
	360	8,269	7,714	1.37	0.76	55.5	54.7	56.0	12.0
	300	6,113	5,871	0.87	0.36	57.2	55.7	58.0	14.0
	360	6,879	6,642	0.98	0.42	58.2	56.1	58.0	14.0
45°F	300	10,655	8,262	3.54	5.43	50.00	50.00	51.0	6.0
	360	12,592	9,836	4.18	7.41	50.20	50.20	51.0	6.0
	300	9,312	7,682	2.32	2.41	51.70	51.70	53.0	8.0
	360	11,018	9,158	2.75	3.37	51.90	51.90	53.0	8.0
	300	7,819	7,036	1.56	1.01	53.70	53.60	55.0	10.0
	360	9,281	8,377	1.85	1.47	53.80	53.70	55.0	10.0
	300	6,396	6,129	1.06	0.47	56.40	55.30	57.0	12.0
	360	7,234	6,978	1.20	0.57	57.40	55.80	57.0	12.0
	300	5,809	5,597	0.83	0.33	58.00	56.00	59.0	14.0
	360	6,484	6,372	0.92	0.39	58.90	56.50	59.0	14.0
50°F	300	7,670	6,999	2.55	2.91	53.8	53.8	56.0	6.0
	360	9,074	8,347	3.02	3.99	53.9	53.9	56.0	6.0
	300	6,602	6,398	1.65	1.15	55.6	55.1	58.0	8.0
	360	7,836	7,604	1.96	1.68	55.8	55.2	58.0	8.0
	300	5,332	5,281	1.07	0.46	59.0	56.6	60.0	10.0
	360	6,559	6,493	1.31	0.70	58.6	56.4	60.0	10.0
	300	4,553	4,553	0.76	0.28	61.2	57.5	62.0	12.0
	360	5,115	5,115	0.85	0.33	62.1	57.8	62.0	12.0
	300	3,985	3,985	0.57	0.18	62.9	58.1	64.0	14.0
	360	4,444	4,444	0.63	0.22	63.8	58.4	64.0	14.0

Propylene Glycol Solution Corrections (44°F EWT)				
Propylene Glycol %	Capacity Factor	Freezing Point (°F)	Tubeside Pressure Increase = 100% Capacity Factor	GPM Adjustment = 100% Capacity Factor
10%	0.92	26	1.2	1.5
20%	0.82	18	1.5	2.2
30%	0.73	7	2.1	4.1
40%	0.70	-8	3.0	8.6
50%	0.67	-29	4.1	16.3

NOTICE: Due to ongoing product development; design, specification and performance data listed within this submittal document are subject to change without notice. For the most current unit/system performance data, please refer to the product literature on our website, www.enviromaster.com, or consult the factory.

CAWC12 Ceiling Cassette Air Handler Performance Data Tables

Entering Water Temp	CFM	72° F DB / 60.1° F WB							
		Total Capacity (Btuh)	Sensible Capacity (Btuh)	Water Flow Rate (GPM)	Pressure Drop (Ft)	Leaving Air Temp		Leaving Water Temp (°F)	ΔT (°F)
	Low					High	DB °F		
40°F	300	11,692	8,808	3.88	6.51	45.3	45.3	46.0	6.0
	360	13,815	10,465	4.59	8.90	45.5	45.5	46.0	6.0
	300	10,206	8,105	2.54	2.90	47.4	47.4	48.0	8.0
	360	12,093	9,660	3.01	4.05	47.6	47.6	48.0	8.0
	300	8,788	7,464	1.75	1.28	49.3	49.3	50.0	10.0
	360	10,463	8,919	2.08	1.88	49.4	49.4	50.0	10.0
	300	7,072	6,569	1.17	0.57	52.1	51.6	52.0	12.0
	360	8,633	7,948	1.43	0.83	51.9	51.4	52.0	12.0
	300	6,438	6,116	0.92	0.40	53.4	52.4	54.0	14.0
	360	7,192	6,915	1.02	0.47	54.5	53.0	54.0	14.0
41°F	300	11,057	8,508	3.67	5.86	46.2	46.2	47.0	6.0
	360	13,076	10,113	4.34	8.02	46.4	46.4	47.0	6.0
	300	9,677	7,863	2.41	2.59	48.1	48.1	49.0	8.0
	360	11,449	9,367	2.85	3.64	48.3	48.3	49.0	8.0
	300	8,221	7,219	1.64	1.11	50.1	50.1	51.0	10.0
	360	9,756	8,612	1.94	1.61	50.2	50.2	51.0	10.0
	300	6,726	6,305	1.12	0.53	52.9	52.0	53.0	12.0
	360	8,041	7,541	1.34	0.68	52.9	52.1	53.0	12.0
	300	6,085	5,841	0.87	0.37	54.3	52.9	55.0	14.0
	360	6,834	6,597	0.97	0.43	55.3	53.3	55.0	14.0
42°F	300	10,469	8,230	3.48	5.28	47.0	47.0	48.0	6.0
	360	12,378	9,787	4.11	7.22	47.2	47.2	48.0	6.0
	300	9,131	7,616	2.28	2.29	48.9	48.9	50.0	8.0
	360	10,803	9,070	2.69	3.26	49.0	49.0	50.0	8.0
	300	7,610	6,908	1.52	0.94	51.0	50.9	52.0	10.0
	360	9,047	8,232	1.80	1.37	51.2	51.0	52.0	10.0
	300	6,357	6,091	1.06	0.48	53.5	52.5	54.0	12.0
	360	7,146	6,926	1.19	0.57	54.5	53.0	54.0	12.0
	300	5,779	5,566	0.82	0.34	55.1	53.2	56.0	14.0
	360	6,447	6,333	0.92	0.39	56.0	53.7	56.0	14.0
43°F	300	9,816	7,932	3.26	4.67	47.9	47.9	49.0	6.0
	360	11,610	9,441	3.86	6.39	48.1	48.1	49.0	6.0
	300	8,531	7,355	2.13	1.97	49.7	49.7	51.0	8.0
	360	10,136	8,779	2.53	2.89	49.8	49.8	51.0	8.0
	300	7,132	6,662	1.42	0.82	51.8	51.5	53.0	10.0
	360	8,488	7,938	1.69	1.20	51.9	51.6	53.0	10.0
	300	5,990	5,807	1.00	0.44	54.4	53.0	55.0	12.0
	360	6,778	6,658	1.13	0.52	55.2	53.4	55.0	12.0
	300	5,447	5,344	0.78	0.31	55.8	53.6	57.0	14.0
	360	6,061	5,994	0.86	0.36	56.8	54.1	57.0	14.0

NOTICE: Due to ongoing product development; design, specification and performance data listed within this submittal document are subject to change without notice. For the most current unit/system performance data, please refer to the product literature on our website, www.enviromaster.com, or consult the factory.

CAWC12 Ceiling Cassette Air Handler Performance Data Tables - Continued

Entering Water Temp	CFM	72° F DB / 60.1° F WB - Continued							
	Low	Total Capacity (Btuh)	Sensible Capacity (Btuh)	Water Flow Rate (GPM)	Pressure Drop (Ft)	Leaving Air Temp		Leaving Water Temp (°F)	ΔT (°F)
	High					DB °F	WB °F		
44°F	300	9,267	7,683	3.08	4.19	48.7	48.7	50.0	6.0
	360	10,971	9,153	3.64	5.74	48.8	48.8	50.0	6.0
	300	7,990	7,116	1.99	1.71	50.4	50.4	52.0	8.0
	360	9,468	8,483	2.36	2.50	50.5	50.5	52.0	8.0
	300	6,680	6,324	1.33	0.71	52.8	52.1	54.0	10.0
	360	7,951	7,537	1.59	1.04	52.9	52.2	54.0	10.0
	300	5,685	5,583	0.95	0.40	55.0	53.4	56.0	12.0
	360	6,379	6,309	1.06	0.48	56.0	53.8	56.0	12.0
	300	5,116	5,054	0.73	0.28	56.7	54.0	58.0	14.0
	360	5,722	5,653	0.82	0.33	57.7	54.5	58.0	14.0
45°F	300	8,716	7,431	2.90	3.73	49.4	49.4	51.0	6.0
	360	10,303	8,849	3.42	5.09	49.6	49.6	51.0	6.0
	300	7,473	6,857	1.86	1.48	51.2	51.1	53.0	8.0
	360	8,865	8,159	2.21	2.17	51.4	51.2	53.0	8.0
	300	5,968	5,804	1.19	0.56	54.4	53.0	55.0	10.0
	360	7,375	7,164	1.47	0.88	53.9	52.8	55.0	10.0
	300	5,342	5,284	0.89	0.37	56.0	53.8	57.0	12.0
	360	6,023	5,958	1.00	0.44	56.9	54.2	57.0	12.0
	300	4,821	4,758	0.69	0.25	57.6	54.4	59.0	14.0
	360	5,137	5,137	0.73	0.28	59.0	55.1	59.0	14.0
50°F	300	6,191	6,147	2.06	1.88	53.3	52.7	56.0	6.0
	360	7,340	7,293	2.44	2.68	53.5	52.8	56.0	6.0
	300	5,052	5,052	1.26	0.64	56.7	54.1	58.0	8.0
	360	6,028	6,028	1.51	0.94	56.7	54.2	58.0	8.0
	300	4,158	4,158	0.83	0.32	59.4	55.2	60.0	10.0
	360	4,685	4,685	0.94	0.38	60.1	55.5	60.0	10.0
	300	3,587	3,587	0.60	0.20	61.1	55.9	62.0	12.0
	360	4,003	4,003	0.67	0.24	61.9	56.2	62.0	12.0
	300	3,031	3,031	0.43	0.12	62.8	56.5	64.0	14.0
	360	3,364	3,364	0.48	0.14	63.5	56.8	64.0	14.0

Propylene Glycol Solution Corrections (50°F EWT)				
Propylene Glycol %	Capacity Factor	Freezing Point (°F)	Tube Side Pressure Increase = 100% Capacity Factor	GPM Adjustment = 100% Capacity Factor
10%	0.90	26	1.2	1.5
20%	0.81	18	1.5	2.1
30%	0.77	7	2.0	3.8
40%	0.74	-8	2.9	8.4
50%	0.72	-29	3.8	15.1



ECR International, Inc.

2201 Dwyer Avenue • Utica, New York 13501

Phone: 800.325.5479 • Fax: 866.432.7329

E-Mail: emi@enviromaster.com • Web: enviromaster.com

NOTICE: Due to ongoing product development; design, specification and performance data listed within this submittal document are subject to change without notice. For the most current unit/system performance data, please refer to the product literature on our website, www.enviromaster.com, or consult the factory.