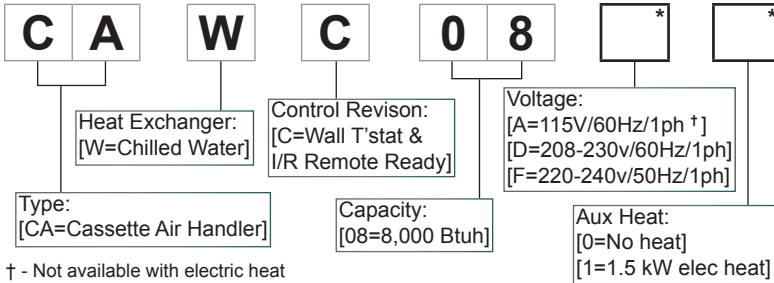


8,000 Btuh Chilled Water Ceiling Cassette Air Handler

Indoor Air Handler Model:



† - Not available with electric heat

Order Quantity of Air Handler

8,000 Btuh Chilled Water Ceiling Cassette Air Handler

* Select Voltage and Aux Heat option

No derate for 50Hz or 115v

Please indicate desired quantity of optional accessories for each air handler (max allowed)

24VAC Wired Thermostat, Single-Stage, 1-Heat/1-Cool, Manual Changeover, #240008208 (1)	5¼"Ø Discharge Air Duct Collar Kit, 2pcs, #240009786 (1 kit, any 2 non-adjacent sides)
24VAC Wired Thermostat, Single-Stage, 1-Heat/1-Cool, Auto Changeover, #240008210 (1)	3"Ø Fresh Air Duct Collar Kit, 3 pcs, #240003416 (1 kit)
OEM Hand-Held Infrared Remote Control (#240006566) (1, Universal for all CAWC air handlers)	Condensate Pump, 144" lift, External Floor Mount, 208/230v-#240003106 / 115v-#240003107 (Unit comes w/ 30" lift pump) (1)

NOTE: Every air handler requires either a 24VAC Wall Thermostat or an OEM Hand-Held Infrared Remote

Electrical Specifications

Model #	Volts/Ph/Hz	Fan Motor		Elec Heat		Total Amps	Min Volt.	MCA	HACR BRKR
		Amps	HP	Amps	kW				
CAWC08D0	208-230/1/60	0.35	1/10	-	-	0.4	197	0.5	15
CAWC08F0	220-240/1/50	0.35	1/10	-	-	0.4	198	0.4	15
CAWC08A0	115/1/60	0.9	1/10			0.9	104	1.2	15
CAWC08D1	208-230/1/60	0.35	1/10	6.52	1.5	6.9	197	8.6	15
CAWC08F1	220-240/1/50	0.35	1/10	6.8	1.56	7.2	198	8.9	15



Intertek

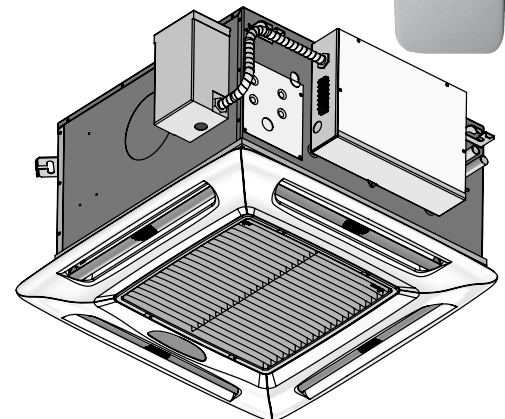


Miscellaneous Technical Data

Indoor Fan Details	High	Low	Vertical Clearance	** 13 5/8" (0.35m) min
Discharge Air Volume [CMF (L/S)]	360 (170)	300 (142)	Ceiling Opening	23¼" x 23¼" (591 x 591 mm)
			Gross Weight	70 lbs (31.8 kg)
Indoor Sound Levels [dBA]	41	39	Washable Air Filter	1, Mesh, Metal Frame
Supply Water Inlet	*5/8" Ø			80% Arrestance
Return Water Outlet	*5/8" Ø		Condensate Pump Details	
Brand Air Duct Collar	~3" Ø		Lift	Nominal Flow Rate
Fresh Air Duct Collar	5" Ø		30" Max Head	0.1 GPM

* Refrigerant Piping Outside Diameter

** Measured from interior face of drop-ceiling

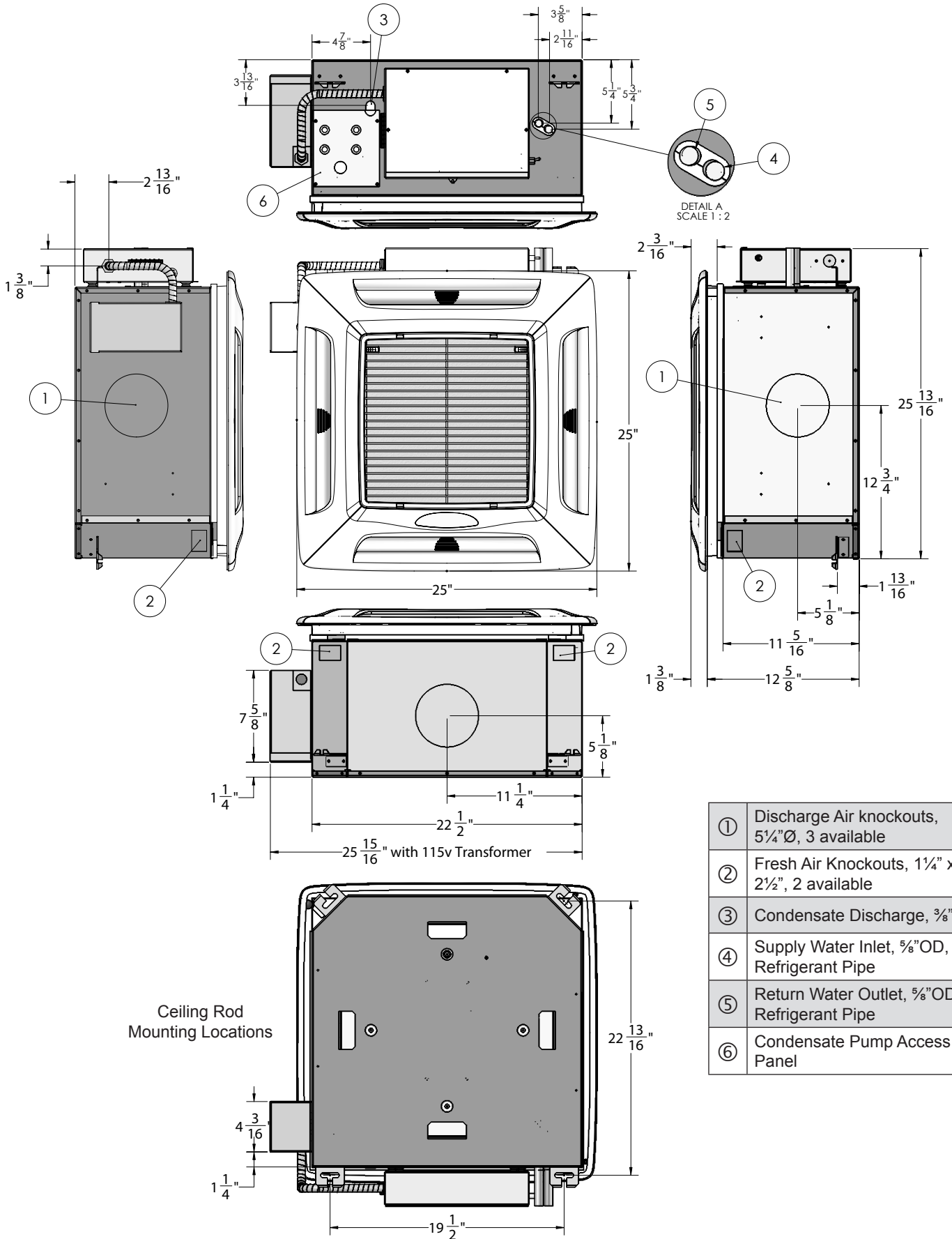


To: _____
Date: _____
From: _____
Contact: _____

Project: _____
Customer: _____
Location: _____
Engineer: _____
Unit Tag# _____

For Your: Reference Approval Construction

CAWC08 Ceiling Cassette Air Handler Dimensions



①	Discharge Air knockouts, 5¼"Ø, 3 available
②	Fresh Air Knockouts, 1¼" x 2½", 2 available
③	Condensate Discharge, ¾"Ø
④	Supply Water Inlet, ⅝"OD, Refrigerant Pipe
⑤	Return Water Outlet, ⅝"OD, Refrigerant Pipe
⑥	Condensate Pump Access Panel

NOTICE: Due to ongoing product development; design, specification and performance data listed within this submittal document are subject to change without notice. For the most current unit/system performance data, please refer to the product literature on our website, www.enviromaster.com, or consult the factory.

CAWC08 Ceiling Cassette Air Handler Performance Data Tables

Entering Water Temp	CFM	80° F DB / 67° F WB							
		Total Capacity (Btuh)	Sensible Capacity (Btuh)	Water Flow Rate (GPM)	Pressure Drop (Ft)	Leaving Air Temp		Leaving Water Temp (°F)	ΔT (°F)
	Low					High	DB °F		
40°F	300	14,300	9,200	4.7	26.4	51.9	51.1	46.0	6.0
	360	16,400	10,800	5.4	34.1	52.8	51.9	46.0	6.0
	300	12,900	8,700	3.2	12.9	53.7	52.8	48.0	8.0
	360	15,000	10,200	3.8	17.7	54.3	53.4	48.0	8.0
	300	11,000	7,900	2.2	6.4	56.0	55.1	50.0	10.0
	360	12,900	9,400	2.6	8.6	56.4	55.4	50.0	10.0
	300	9,100	7,100	1.5	3.2	58.5	57.4	52.0	12.0
	360	10,800	8,400	1.8	4.4	58.7	57.6	52.0	12.0
	300	7,700	6,500	1.1	1.7	60.2	59.0	54.0	14.0
	360	9,100	7,700	1.3	2.4	60.6	59.1	54.0	14.0
41°F	300	13,700	8,900	4.5	24.6	52.9	52.2	47.0	6.0
	360	15,800	10,400	5.2	31.8	54.0	53.1	47.0	6.0
	300	12,300	8,400	3.1	11.9	55.0	53.9	49.0	8.0
	360	14,300	9,800	3.6	16.3	55.5	54.6	49.0	8.0
	300	10,400	7,600	2.1	5.8	57.4	56.5	51.0	10.0
	360	12,100	9,000	2.4	7.8	57.8	56.9	51.0	10.0
	300	8,600	6,800	1.4	2.9	59.5	58.4	53.0	12.0
	360	10,000	8,000	1.7	3.8	59.9	58.9	53.0	12.0
	300	7,800	6,800	1.1	1.8	61.2	60.0	55.0	14.0
	360	8,400	7,400	1.2	2.1	61.6	60.1	55.0	14.0
42°F	300	13,200	8,600	4.4	22.8	54.1	53.4	48.0	6.0
	360	15,100	10,100	5.0	29.5	55.2	54.2	48.0	6.0
	300	11,700	8,100	2.9	10.9	56.1	55.2	50.0	8.0
	360	13,700	9,500	3.5	15.0	56.6	55.8	50.0	8.0
	300	9,800	7,300	2.0	5.2	58.5	57.6	52.0	10.0
	360	11,500	8,700	2.3	7.1	58.9	58.0	52.0	10.0
	300	7,900	6,500	1.3	2.5	60.8	59.8	54.0	12.0
	360	9,600	7,800	1.6	3.5	60.7	59.6	54.0	12.0
	300	7,500	6,700	1.1	1.6	61.8	60.5	56.0	14.0
	360	8,100	7,200	1.2	1.9	62.1	60.6	56.0	14.0
43°F	300	12,000	8,400	3.8	18.1	53.7	53.0	49.0	6.0
	360	14,000	9,900	4.7	26.3	54.0	53.3	49.0	6.0
	300	10,600	7,800	2.7	9.1	55.5	54.7	51.0	8.0
	360	12,400	9,300	3.1	12.3	55.6	54.7	51.0	8.0
	300	9,400	7,300	1.9	5.1	57.1	56.1	53.0	10.0
	360	11,000	8,700	2.2	6.3	57.7	56.7	53.0	10.0
	300	8,300	6,900	1.4	2.8	58.5	57.6	55.0	12.0
	360	9,200	7,900	1.6	3.6	59.5	58.6	55.0	12.0
	300	8,100	6,300	1.2	1.9	58.7	57.6	57.0	14.0
	360	8,500	8,200	1.5	3.3	59.1	57.8	57.0	14.0

NOTICE: Due to ongoing product development; design, specification and performance data listed within this submittal document are subject to change without notice. For the most current unit/system performance data, please refer to the product literature on our website, www.enviromaster.com, or consult the factory.

CAWC08 Ceiling Cassette Air Handler Performance Data Tables - Continued

Entering Water Temp	CFM	80° F DB / 67° F WB - Continued							
		Total Capacity (Btuh)	Sensible Capacity (Btuh)	Water Flow Rate (GPM)	Pressure Drop (Ft)	Leaving Air Temp		Leaving Water Temp (°F)	ΔT (°F)
	Low					High	DB °F		
44°F	300	11,500	8,200	3.7	16.6	54.8	54.1	50.0	6.0
	360	13,400	9,600	4.5	24.2	55.2	54.5	50.0	6.0
	300	10,100	7,500	2.5	8.3	56.6	55.8	52.0	8.0
	360	11,800	9,000	3.0	11.1	56.8	55.9	52.0	8.0
	300	8,900	7,100	1.8	4.6	58.1	57.1	54.0	10.0
	360	10,400	8,400	2.1	5.7	58.8	57.7	54.0	10.0
	300	7,500	6,600	1.3	2.4	59.6	58.9	56.0	12.0
	360	8,600	7,700	1.5	3.1	60.4	59.5	56.0	12.0
	300	7,200	6,700	1.2	2.0	59.5	58.4	58.0	14.0
	360	8,700	6,900	1.4	2.8	59.9	58.4	58.0	14.0
45°F	300	11,000	7,950	3.5	15.1	55.9	55.2	51.0	6.0
	360	12,800	9,300	4.3	22.1	56.4	55.6	51.0	6.0
	300	9,650	7,350	2.4	7.5	57.7	56.8	53.0	8.0
	360	11,200	8,700	2.8	10.0	58.0	57.0	53.0	8.0
	300	8,350	6,850	1.7	4.0	59.3	58.3	55.0	10.0
	360	9,600	8,100	1.9	4.9	60.0	59.0	55.0	10.0
	300	7,100	6,400	1.2	2.1	60.6	59.6	57.0	12.0
	360	8,300	7,500	1.4	2.8	61.0	60.0	57.0	12.0
	300	7,700	6,500	1.1	1.7	60.2	59.0	59.0	14.0
	360	9,100	7,700	1.3	2.4	60.5	59.1	59.0	14.0
50°F	300	7,600	6,100	2.4	7.6	60.9	60.1	56.0	6.0
	360	9,500	7,700	3.2	12.7	61.9	61.1	56.0	6.0
	300	7,000	6,100	1.8	4.2	62.7	61.7	58.0	8.0
	360	7,900	7,100	2.0	5.2	63.5	62.5	58.0	8.0
	300	5,600	5,600	1.2	1.9	64.4	63.0	60.0	10.0
	360	6,600	6,600	1.3	2.4	64.8	63.3	60.0	10.0
	300	4,300	4,300	0.7	0.7	66.8	63.9	62.0	12.0
	360	5,000	5,000	0.9	0.9	67.2	64.4	62.0	12.0
	300	4,300	4,300	0.6	0.5	67.5	62.5	64.0	14.0
	360	4,600	4,600	0.8	1.0	66.8	62.3	64.0	14.0

Propylene Glycol Solution Corrections (40°F EWT)				
Propylene Glycol %	Capacity Factor	Freezing Point (°F)	Tubeside Pressure Increase = 100% Capacity Factor	GPM Adjustment = 100% Capacity Factor
10%	0.93	26	1.2	1.5
20%	0.83	18	1.5	2.3
30%	0.72	7	2.1	4.3
40%	0.68	-8	3.0	9.0
50%	0.65	-29	4.2	17.1

NOTICE: Due to ongoing product development; design, specification and performance data listed within this submittal document are subject to change without notice. For the most current unit/system performance data, please refer to the product literature on our website, www.enviromaster.com, or consult the factory.

CAWC08 Ceiling Cassette Air Handler Performance Data Tables

Entering Water Temp	CFM		75° F DB / 62.55° F WB						
	Low	Total Capacity (Btuh)	Sensible Capacity (Btuh)	Water Flow Rate (GPM)	Pressure Drop (Ft)	Leaving Air Temp		Leaving Water Temp (°F)	ΔT (°F)
	High					DB °F	WB °F		
40°F	300	10,000	7,900	3.2	12.9	50.8	50.1	46.0	6.0
	360	11,600	9,300	3.8	17.8	51.3	50.5	46.0	6.0
	300	8,700	7,400	2.2	6.5	52.4	51.7	48.0	8.0
	360	10,100	8,600	2.5	8.2	53.0	52.1	48.0	8.0
	300	7,600	6,900	1.5	3.2	53.9	53.2	50.0	10.0
	360	9,100	8,000	1.8	4.5	54.2	53.3	50.0	10.0
	300	6,600	6,300	1.1	1.7	55.8	54.3	52.0	12.0
	360	7,800	7,400	1.3	2.4	56.2	54.5	52.0	12.0
	300	5,700	5,500	0.8	0.8	58.2	55.5	54.0	14.0
	360	6,900	6,700	1.0	1.4	58.0	55.4	54.0	14.0
41°F	300	9,400	7,600	3.0	11.7	51.9	51.3	47.0	6.0
	360	11,000	8,900	3.6	16.1	52.4	51.6	47.0	6.0
	300	8,200	7,100	2.1	5.8	53.5	52.8	49.0	8.0
	360	9,500	8,200	2.4	7.4	54.1	53.2	49.0	8.0
	300	7,000	6,600	1.4	2.8	55.0	54.3	51.0	10.0
	360	8,600	8,000	1.7	4.1	54.8	53.9	51.0	10.0
	300	6,100	6,000	1.0	1.5	56.8	55.0	53.0	12.0
	360	7,200	7,100	1.2	2.1	57.2	55.2	53.0	12.0
	300	5,300	5,200	0.7	0.7	59.0	56.1	55.0	14.0
	360	6,500	6,400	0.9	1.3	58.8	55.9	55.0	14.0
42°F	300	9,000	7,300	2.9	10.6	53.0	52.3	48.0	6.0
	360	10,400	8,600	3.4	14.6	53.6	52.8	48.0	6.0
	300	7,700	6,800	1.9	5.2	54.6	53.9	50.0	8.0
	360	8,900	7,900	2.2	6.5	55.4	54.3	50.0	8.0
	300	6,600	6,300	1.3	2.5	55.8	55.1	52.0	10.0
	360	8,100	7,700	1.6	3.6	55.7	54.8	52.0	10.0
	300	5,700	5,800	1.0	1.3	57.4	55.6	54.0	12.0
	360	6,800	6,900	1.1	1.8	57.8	56.0	54.0	12.0
	300	4,500	4,700	0.6	0.5	61.3	57.3	56.0	14.0
	360	6,200	6,100	0.9	1.2	59.6	56.2	56.0	14.0
43°F	300	8,500	7,500	2.8	10.0	51.6	51.2	49.0	6.0
	360	10,100	8,900	3.4	14.2	51.9	51.3	49.0	6.0
	300	7,800	7,000	1.9	5.1	53.3	52.3	51.0	8.0
	360	9,200	8,200	2.4	7.2	53.6	52.4	51.0	8.0
	300	7,000	6,300	1.4	2.9	55.3	53.4	53.0	10.0
	360	8,100	7,500	1.6	3.8	55.4	53.8	53.0	10.0
	300	6,000	5,700	1.0	1.9	57.0	54.9	55.0	12.0
	360	6,800	6,500	1.1	1.9	58.2	55.2	55.0	12.0
	300	6,300	5,800	1.1	1.5	56.0	54.5	57.0	14.0
	360	6,600	6,400	1.1	1.7	56.4	54.7	57.0	14.0

NOTICE: Due to ongoing product development; design, specification and performance data listed within this submittal document are subject to change without notice. For the most current unit/system performance data, please refer to the product literature on our website, www.enviromaster.com, or consult the factory.

CAWC08 Ceiling Cassette Air Handler Performance Data Tables - Continued

Entering Water Temp	CFM	75° F DB / 62.55° F WB - Continued							
		Total Capacity (Btuh)	Sensible Capacity (Btuh)	Water Flow Rate (GPM)	Pressure Drop (Ft)	Leaving Air Temp		Leaving Water Temp (°F)	ΔT (°F)
	Low					High	DB °F		
44°F	300	8,098	7,349	2.6	9.0	52.4	52.1	50.0	6.0
	360	9,576	8,616	3.2	12.7	52.8	52.3	50.0	6.0
	300	7,328	6,765	1.8	4.5	54.2	53.3	52.0	8.0
	360	8,565	7,967	2.2	6.2	54.5	53.5	52.0	8.0
	300	6,482	6,085	1.3	2.4	56.5	54.3	54.0	10.0
	360	7,607	7,311	1.5	3.2	56.3	54.5	54.0	10.0
	300	5,655	5,582	1.0	1.6	57.8	55.5	56.0	12.0
	360	6,410	6,327	1.1	1.6	58.9	55.8	56.0	12.0
	300	6,986	6,554	1.0	1.3	56.7	54.8	58.0	14.0
	360	7,260	7,049	1.1	1.5	57.2	55.1	58.0	14.0
45°F	300	7,650	7,100	2.5	8.1	53.4	53.1	51.0	6.0
	360	9,000	8,300	3.0	11.3	53.8	53.3	51.0	6.0
	300	6,900	6,550	1.7	4.0	55.1	54.0	53.0	8.0
	360	8,100	7,700	2.1	5.6	55.4	54.2	53.0	8.0
	300	6,050	5,900	1.2	2.1	57.1	55.0	55.0	10.0
	360	7,100	6,900	1.4	2.9	57.0	55.2	55.0	10.0
	300	5,300	5,300	0.9	1.4	58.8	56.0	57.0	12.0
	360	6,000	6,000	1.0	1.4	60.0	56.3	57.0	12.0
	300	6,100	5,800	0.9	1.1	57.1	55.0	59.0	14.0
	360	6,900	6,700	1.0	1.4	58.0	55.4	59.0	14.0
50°F	300	5,900	5,400	1.8	4.3	57.8	57.3	56.0	6.0
	360	6,800	6,300	2.1	5.8	58.5	57.8	56.0	6.0
	300	5,200	4,600	1.2	1.9	59.9	58.0	58.0	8.0
	360	6,200	5,500	1.4	2.6	60.1	58.0	58.0	8.0
	300	4,500	4,200	0.8	1.0	62.1	57.6	60.0	10.0
	360	5,400	4,900	1.0	1.3	62.0	58.0	60.0	10.0
	300	3,400	3,200	0.6	0.5	65.4	58.7	62.0	12.0
	360	4,100	3,900	0.7	0.7	65.9	58.8	62.0	12.0
	300	3,200	3,200	0.7	0.7	61.7	56.7	64.0	14.0
	360	4,000	3,700	0.7	0.8	62.6	57.3	64.0	14.0

Propylene Glycol Solution Corrections (44°F EWT)				
Propylene Glycol %	Capacity Factor	Freezing Point (°F)	Tubeside Pressure Increase = 100% Capacity Factor	GPM Adjustment = 100% Capacity Factor
10%	0.91	26	1.33	1.25
20%	0.83	18	2.16	1.47
30%	0.70	7	4.08	1.97
40%	0.61	-8	7.32	2.46
50%	0.58	-29	14.67	3.44

NOTICE: Due to ongoing product development; design, specification and performance data listed within this submittal document are subject to change without notice. For the most current unit/system performance data, please refer to the product literature on our website, www.enviromaster.com, or consult the factory.

CAWC08 Ceiling Cassette Air Handler Performance Data Tables

Entering Water Temp	CFM	72° F DB / 60.1° F WB							
		Total Capacity (Btuh)	Sensible Capacity (Btuh)	Water Flow Rate (GPM)	Pressure Drop (Ft)	Leaving Air Temp		Leaving Water Temp (°F)	ΔT (°F)
	Low					High	DB °F		
40°F	300	8,600	7,200	2.8	10.1	50.0	49.5	46.0	6.0
	360	10,000	8,500	3.3	13.7	50.4	59.8	46.0	6.0
	300	7,400	6,700	1.8	4.5	51.4	51.0	48.0	8.0
	360	8,800	7,800	2.2	6.5	52.0	51.2	48.0	8.0
	300	6,500	6,200	1.3	2.4	53.1	52.1	50.0	10.0
	360	7,700	7,300	1.5	3.3	53.7	52.4	50.0	10.0
	300	5,800	5,600	1.0	1.4	54.8	53.0	52.0	12.0
	360	6,600	6,400	1.1	1.7	55.7	53.4	52.0	12.0
	300	4,200	4,200	0.6	0.5	59.0	55.0	54.0	14.0
	360	5,500	5,500	0.8	0.8	57.9	54.6	54.0	14.0
41°F	300	8,300	6,800	2.6	9.1	50.9	50.5	47.0	6.0
	360	9,600	8,000	3.1	12.3	51.4	61.1	47.0	6.0
	300	7,100	6,200	1.7	4.0	52.5	52.0	49.0	8.0
	360	8,500	7,300	2.1	5.9	52.8	52.1	49.0	8.0
	300	6,200	5,800	1.2	2.1	54.1	52.8	51.0	10.0
	360	7,400	6,800	1.4	2.9	54.6	53.1	51.0	10.0
	300	5,500	5,200	0.9	1.2	55.6	53.7	53.0	12.0
	360	6,300	5,900	1.0	1.5	56.6	54.1	53.0	12.0
	300	3,900	4,000	0.6	0.5	59.8	55.4	55.0	14.0
	360	5,200	5,100	0.8	0.7	58.7	55.0	55.0	14.0
42°F	300	8,000	6,400	2.5	8.2	51.9	51.5	48.0	6.0
	360	9,200	7,500	2.9	10.9	52.5	62.5	48.0	6.0
	300	5,800	5,900	1.6	3.5	53.4	52.8	50.0	8.0
	360	8,100	6,800	1.9	5.1	53.9	53.0	50.0	8.0
	300	6,000	5,400	1.1	1.8	54.7	53.5	52.0	10.0
	360	7,100	6,300	1.3	2.5	55.3	53.9	52.0	10.0
	300	5,200	4,800	0.9	1.0	56.7	54.2	54.0	12.0
	360	5,800	5,200	0.9	1.2	58.3	55.1	54.0	12.0
	300	3,700	3,700	0.5	0.4	60.9	55.8	56.0	14.0
	360	4,900	4,900	0.7	0.7	59.6	55.3	56.0	14.0
43°F	300	7,100	7,100	2.5	8.1	51.0	50.4	49.0	6.0
	360	8,300	8,400	3.0	11.1	51.3	50.4	49.0	6.0
	300	6,400	6,800	1.8	4.3	52.5	51.2	51.0	8.0
	360	7,300	7,800	2.0	5.4	52.9	51.8	51.0	8.0
	300	5,400	5,700	1.1	1.8	55.0	53.0	53.0	10.0
	360	6,300	6,700	1.4	2.6	55.5	53.0	53.0	10.0
	300	4,400	4,500	0.8	0.6	57.6	54.3	55.0	12.0
	360	5,300	5,400	0.9	1.0	57.9	54.5	55.0	12.0
	300	3,700	3,700	0.6	0.4	60.2	55.4	57.0	14.0
	360	3,800	3,800	0.6	0.4	61.4	55.9	57.0	14.0

NOTICE: Due to ongoing product development; design, specification and performance data listed within this submittal document are subject to change without notice. For the most current unit/system performance data, please refer to the product literature on our website, www.enviromaster.com, or consult the factory.

CAWC08 Ceiling Cassette Air Handler Performance Data Tables - Continued

Entering Water Temp	CFM	72° F DB / 60.1° F WB - Continued							
		Total Capacity (Btuh)	Sensible Capacity (Btuh)	Water Flow Rate (GPM)	Pressure Drop (Ft)	Leaving Air Temp		Leaving Water Temp (°F)	ΔT (°F)
						DB °F	WB °F		
44°F	300	6,901	6,765	2.3	7.2	51.8	51.2	50.0	6.0
	360	8,113	7,987	2.8	9.9	52.1	51.4	50.0	6.0
	300	6,175	6,248	1.6	3.6	53.6	52.2	52.0	8.0
	360	7,076	7,362	1.8	4.7	53.9	52.5	52.0	8.0
	300	5,225	5,342	1.1	1.6	55.9	53.6	54.0	10.0
	360	6,105	6,237	1.3	2.2	56.3	53.7	54.0	10.0
	300	3,840	3,839	0.6	0.4	60.1	55.4	56.0	12.0
	360	5,051	5,047	0.9	0.9	59.0	55.0	56.0	12.0
	300	3,536	3,528	0.5	0.3	61.1	55.7	58.0	14.0
	360	3,634	3,644	0.5	0.3	62.3	56.3	58.0	14.0
45°F	300	6,650	6,350	2.2	6.4	52.7	52.0	51.0	6.0
	360	7,800	7,460	2.6	8.7	53.1	52.2	51.0	6.0
	300	5,950	5,800	1.5	3.1	54.4	52.9	53.0	8.0
	360	6,850	6,850	1.7	4.0	54.6	53.2	53.0	8.0
	300	5,000	5,000	1.0	1.4	56.7	54.1	55.0	10.0
	360	5,850	5,850	1.2	2.0	57.1	54.2	55.0	10.0
	300	3,600	3,600	0.6	0.4	61.0	55.8	57.0	12.0
	360	4,750	4,750	0.8	0.8	59.9	55.3	57.0	12.0
	300	3,300	3,300	0.5	0.3	61.9	56.1	59.0	14.0
	360	3,400	3,400	0.5	0.3	63.3	56.6	59.0	14.0
50°F	300	5,100	4,600	1.5	3.2	57.1	55.7	56.0	6.0
	360	6,000	5,300	1.8	4.3	57.7	56.0	56.0	6.0
	300	4,300	4,100	1.0	1.5	59.8	55.8	58.0	8.0
	360	5,200	4,800	1.2	1.9	59.7	55.9	58.0	8.0
	300	3,000	2,900	0.6	0.5	63.9	57.1	60.0	10.0
	360	3,800	3,700	0.8	0.8	63.9	57.0	60.0	10.0
	300	2,400	2,400	0.4	0.2	65.5	57.5	62.0	12.0
	360	3,200	3,200	0.6	0.5	64.7	57.1	62.0	12.0
	300	2,100	2,100	0.3	0.2	66.1	57.6	64.0	14.0
	360	2,300	2,200	0.3	0.2	68.0	58.3	64.0	14.0

Propylene Glycol Solution Corrections (50°F EWT)				
Propylene Glycol %	Capacity Factor	Freezing Point (°F)	Tube Side Pressure Increase = 100% Capacity Factor	GPM Adjustment = 100% Capacity Factor
10%	0.91	26	1.34	1.25
20%	0.80	18	2.07	1.25
30%	0.77	7	3.59	1.33
40%	0.69	-8	6.19	1.52
50%	0.66	-29	12.46	2.15



ECR International, Inc.

2201 Dwyer Avenue • Utica, New York 13501

Phone: 800.325.5479 • Fax: 866.432.7329

E-Mail: emi@enviromaster.com • Web: enviromaster.com

NOTICE: Due to ongoing product development; design, specification and performance data listed within this submittal document are subject to change without notice. For the most current unit/system performance data, please refer to the product literature on our website, www.enviromaster.com, or consult the factory.