

RETROAIRE

The Right Fit for Comfort

RC95 PACKAGED TERMINAL AIR CONDITIONER

P/N# 240004393, Rev. 1.2 [3/05]

FOR NEW CONSTRUCTION OR RENOVATION APPLICATIONS



RC95

STRAIGHT COOL ONLY

Nominal Capacities: 9,000-12,000-15,000-18,000 Btuh

PRODUCT DESCRIPTION

The RetroAire RC95 is a Downflow Ducted PTAC designed for new construction or renovation applications where an alternative to traditional upflow applications is needed (top discharge blocked by curtains, etc.).

Traditionally, through-the-wall air conditioners were positioned below windows with an upflow application but the RC95 downflow application offers design freedom without sacrificing comfort or economy. The RC95 allows you to duct and deliver air to adjacent room/s which allows you to condition two or more rooms with one unit.

The RC95 Downflow Ducted PTAC is a straight cool only unit available in nominal capacities of 9,000 to 18,000 Btuh with energy efficiency ratings (EER.) as high as 10.0 at minimal E.S.P. It consists of a two-speed indoor fan and an outdoor fan that conserves energy by not running in vent or heating modes.

Whisper-quiet operation adds to room ambiance and the permanent, washable filter makes service a snap. The 20 gauge galvanized steel chassis construction ensures long unit life.

The RetroAire RC95 Downflow Ducted PTAC is backed by Enviromaster international LLC and is tested and rated in accordance with ARI standards 310 and 380 and UL 484.

▲▼ **Capacities** – The RC replacement chassis are available in nominal capacities of 9,000, 12,000, 15,000 and 18,000 Btuh.

▲▼ **Features:**

- **Microprocessor** control board for improved efficiency and system protection.
- **Fan Operation** – Auto/On. High or Low speed fan.
- **Fan Purge** – Fan remains on for 60 seconds efficiency (Auto mode only). Universal control board. Circuit board can be used in either a straight cool, electric heat or cooling/heat pump application.
- **Anti-Short Cycle** Compressor Protection
- **Random Start Timer**
- **Freeze Protection** – Prevents evaporator freeze ups
- **Low Ambient Lockout** – Compressor prevented from running when outdoor temperatures are too cold for efficient operation

▲▼ **Air Systems**

- Fans: Forward curve type, mounted on motor shafts
- PSC motors with overheat protection
- Air surfaces insulated with 1/4" fiberglass
- Easy access permanent, washable air filter

▲▼ **Heat Exchanger** – Staggered seamless, rifled copper tubing w/aluminum fins tested to 400 psig. Tubing is mechanically expanded for secure bonding to fin shoulders.

▲▼ **Refrigeration Circuit:**

- High efficiency, rotary compressor w/standard 5 year warranty.
- Automatic expansion valve metering for low ambient (outdoor) protection, allows cooling down to 35° F.

▲▼ **Standard Factory Installed or Field Supplied Controls and Components:**

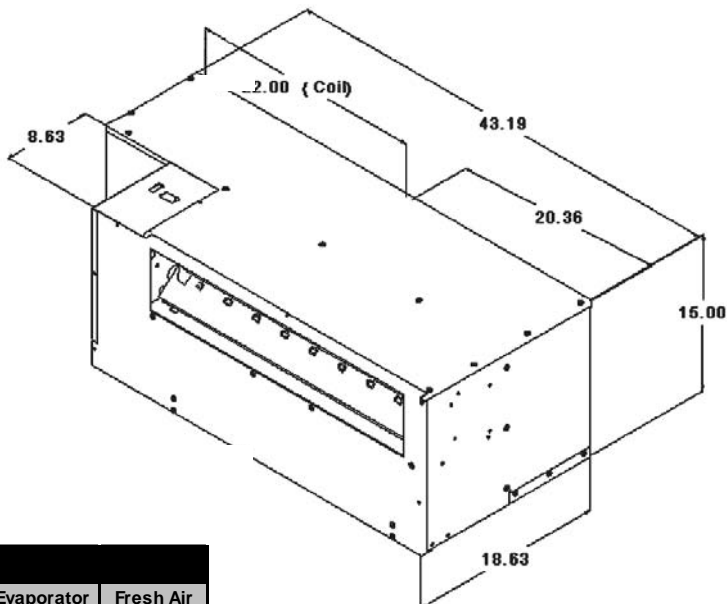
1. Unit mounted operating control
 - Thermostat
 - Fan speed control
 - Heat/cool switch
2. Low ambient protection
3. Weather strip insulation
4. Baffle kit bag (supplied)
5. Front air intake
6. Sea coast coated drain pans

▲▼ **Optional Controls and Components:**

- Wall sleeve – consult factory
- Motorized fresh air damper
- Electric heat (2, 3, 4 or 5KW)
- Remote thermostat
- Fan cycle switch
- Sea coast coated coils

RC95 SPECIFICATIONS AND PERFORMANCE DATA

NOTE: Due to EMI's ongoing product development programs, designs, specifications, and performance may change without notice.
For more information, please contact the factory.



RC95 Performance Data

@ 0 external static pressure				
Unit Size	Cooling Btuh	EERs	Evaporator CFM Hi/Lo	Fresh Air CFM
9	9,500	10	440/340	40/35
12	11,900	10	440/340	40/35
15	14,700	9.2	500/440	40/35
18	16,900	9.1	500/440	40/35
@ 0.1 external static pressure				Evaporator CFM Hi
9	9,500	9.2	375	35
12	11,750	9.2	425	35
15	13,200	8.2	425	35
18	15,500	8.2	425	35

NEMA Specifications Non-Locking/Receptacles								
VOLTAGE	125V		250V			265V		
	15(A)	20(A)	15(A)	20(A)	30(A)	15(A)	20(A)	30(A)
PLUG								
RECEPTACLE	5-15 R	5-20 R	6-15 R	6-20 R	6-30 R	7-15 R	7-20 R	7-30 R

RC95 Electrical Specifications

Model Number	Voltage/Hz/Phase	Evap Motor		Cond Motor		Compressor		Total Amps	MCA	Max Fuse	Min Voltage	Line Cord
		FLA	HP	FLA	HP	RLA	LRA					
9	115/60/1	1.4	0.09	1.6	0.125	7.4	44	10.4	12.3	15	104	5-15P
	208/230/60/1	0.6	0.08	0.72	0.125	4.1	20	5.4	6.4	15	197	6-15P
	265/60/1	0.67	0.08	0.7	0.125	3.35	18	4.7	5.6	15	240	7-20P
12	115/60/1	1.4	0.09	1.6	0.125	9.7	54	12.7	15.1	20	104	5-20P
	208/230/60/1	0.6	0.08	0.72	0.125	5.1	28	6.4	7.7	15	197	6-15P
	265/60/1	0.67	0.08	0.7	0.125	4.25	26	5.6	6.7	15	240	7-20P
15	208/230/60/1	0.6	0.08	0.72	0.125	6.4	35	7.7	9.3	15	197	6-15P
	265/60/1	0.67	0.08	0.7	0.125	5.4	32	6.8	8.1	15	240	7-20P
18	208/230/60/1	0.6	0.08	0.71	0.09	7.6	45	8.9	10.8	15	197	6-15P
	265/60/1	0.67	0.08	0.71	0.09	6.3	32	7.7	9.3	15	240	7-20P

RC95 Optional Electric Heat Specifications

Heater No.	Voltage	Watts	Btuh	Amps	Total Heat Amps	MCA	Max Fuse	Line Cord
2	208	1,636	5,600	7.9	8.5	10.4	15	6-15P
	230	2,000	6,900	8.7	9.3	11.5	15	6-15P
	265	2,655	9,100	10	10.7	13.2	15	7-20P
3	208	2,454	8,400	11.8	12.4	15.3	20	6-20P
	230	3,000	10,300	13	13.6	16.9	20	6-20P
	265	3,983	13,600	15	15.7	19.5	20	7-20P
4	208	3,271	11,200	15.7	16.3	20.3	25	6-30P
	230	4,000	13,700	17.4	18	22.3	25	6-30P
	265	5,310	18,200	20	20.7	25.7	30	7-30P
5	208	4,089	14,000	19.7	20.3	25.2	30	6-30P
	230	5,000	17,100	21.7	22.3	27.8	30	6-30P

An ECR International Brand
ENVIROMASTER INTERNATIONAL LLC
 5780 Success Dr., Rome, NY 13440
 Phone: 1-800-228-9364
 FAX: 1-800-232-9364
 Email: info@retroaire.com