

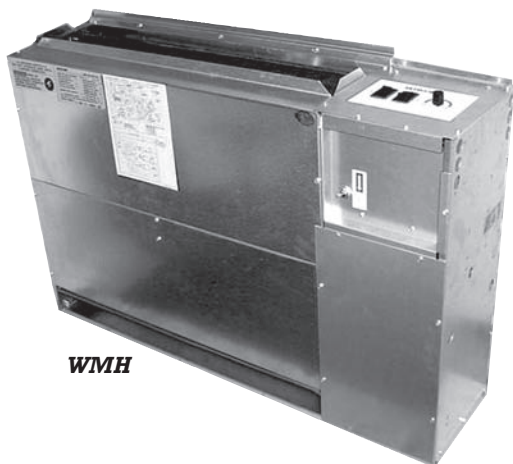
# RETROAIRE

*The Right Fit for Comfort*

## WMH HIGH-EFFICIENCY WATER SOURCE HEAT PUMP

P/N# 240003269, Rev. 1.7 [2/05]

### COMPLETE REPLACEMENT CHASSIS for McQuay, Singer, or Climate Control WM Series Water Source



WMH

#### Nominal Capacities:

9,000 - 12,000 - 15,000 Btuh

### PRODUCT DESCRIPTION

The RetroAire WMH high-efficiency Water Source Heat Pump was designed to specifically replace the climate control or mcquay/singer wm series water source consoles. The WMH may also replace water source heat pumps that were installed in custom cabinetry with dimensions equal to or larger than the WMH (consult factory for details).

The WMH EER ratings of 11.7 to 13.0 and COP ratings of 4.1 to 4.36 exceed the rating for the old units.

The WMH chassis is a complete package with compressor; heat pump with reversing valve; capillary tube metering; and all refrigeration components. Safety controls include overload protection and high/low pressure controls.

#### ▲ Air Systems

- Fan is forward curve type, directly mounted to the motor shaft
- Motor is PSC type with overheat protection
- Air stream surfaces are insulated with 1/4" fiberglass
- Filter is permanent, washable aluminum mesh, accessible without tools

#### ▲ High Efficiency Heat Exchanger

Evaporator coil is seamless, copper tubing arranged in staggered configuration with enhanced tubes, and aluminum fins tested to 400 PSIG. The tubes are mechanically expanded for secure bonding to fin shoulders.

#### ▲ Refrigeration Circuit

- High Efficiency Rotary compressor with 5 year warranty
- Condenser coil is copper inner tube with steel outer tube design. Water flow is through the copper inner tube and heat is exchanged with a counter flow of refrigerant through the outer shell.

#### ▲ Factory Installed Controls & Components

- High Pressure control
- Low temperature/low water flow cut-out switch
- Compressor lock-out relay
- Unit-mounted controls
- Two-speed fan
- Four-way reversing valve with solenoid (energized for cooling mode) activated by line voltage

#### ▲ Optional Accessories

- Remote thermostat controls (contact factory for more information.)
- Unit mount ACO with fan cycle switch
- Electric heat (2-3kw output only)

#### ▲ Rating & Testing

Units are tested and rated in accordance with ARI standards 320 and UL 484. Due to RetroAire's ongoing development programs, design and specifications may change without notice.

#### ▲ Warranty

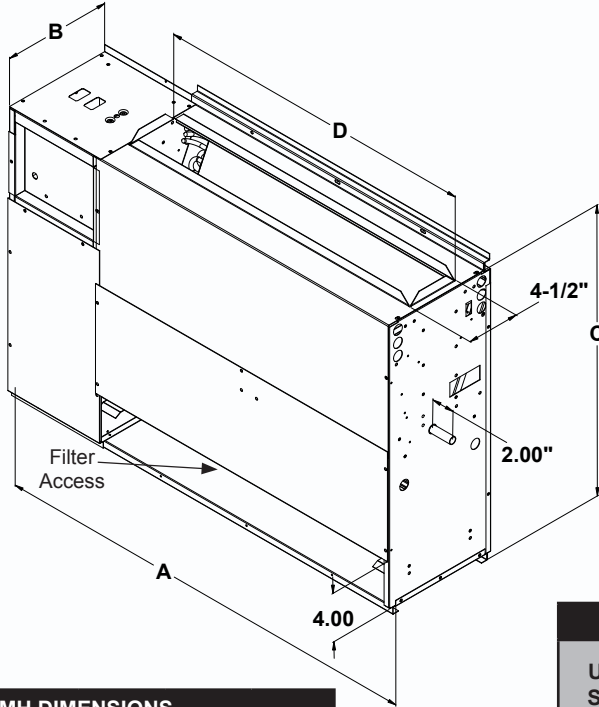
All RetroAire products are covered under standard warranty and are backed by Enviromaster international, llc.

### PERFORMANCE DATA

Unit Size	CFM Low/High	Cooling		Heating	
		Btuh	EER	Btuh	COP
9	265/340	10,000	11.7	12,425	4.28
12	350/450	12,250	13.0	15,000	4.36
15	450/550	16,100	12.7	18,900	4.1

# DIMENSIONS AND SPECIFICATIONS

**NOTE:** Due to ongoing development programs, design and specifications may change without notice.



WMH DIMENSIONS				
Unit Size	A	B	C	D
9,000-12,000	37 3/4"	10"	25"	28"
15,000	42 3/4"	12"	25"	33"

CONDENSER WATER FLOW		
Unit Size	GPM	P.D. (FT OF HD)
9	2.6	6.1
12	2.8	8.7
15	3.8	12.9

*Cooling Cycle Design DT At 10°*

EVAPORATOR SPECIFICATIONS				
Unit Size	Face Ft. <sup>2</sup>	Rows Deep	Tube Size	Fins In.
9	1.1	2	3/8"	14
12	1.75	2	5/16"	14
15	2.0	2	3/8"	14

HEATING CAPACITY				
Unit Size	Entering Water/Air Temp	Heating Capacity Btuh	Heat Of Absorption Btuh	Power Input Watts
9	70°	12,450	19,550	850
12	70°	15,000	11,600	1,000
15	70°	19,200	14,400	1,350

WMH ELECTRICAL SPECIFICATIONS									
Model	Volts/HZ/Phase	Fan Motor		Compressor		Total AMPS	MCA	Max Fuse	Min Volts
		FLA	HP	RLA	LRA				
9	115/60/1	1.4	0.09	7.4	44	8.8	10.7	15	104
	208/230/60/1	0.6	0.08	3.8	20	4.4	5.4	15	197
	265/60/1	0.67	0.08	3.3	18.6	3.97	4.8	15	240
12	115/60/1	1.4	0.09	9.7	54	11.1	13.5	20	104
	208/230/60/1	0.6	0.08	4.8	26.3	5.4	6.6	15	197
	265/60/1	0.67	0.08	4.2	28	4.87	5.9	15	240
15	208/230/60/1	0.6	0.08	6.4	38	7.0	8.6	15	197
	265/60/1	0.67	0.08	5.4	32	6.07	7.4	15	240

WMH Optional Electric Heat							
Heater No.	Voltage	Watts	Btuh	Amps	Total Heat Amps	MCA	Max Fuse
2	208	1636	5600	7.9	8.5	10.4	15
	230	2000	6900	8.7	9.3	11.5	15
	265	2655	9100	10.0	10.7	13.2	15
3	208	2454	8400	11.8	12.4	15.3	20
	230	3000	10300	13.0	13.6	16.9	20
	265	3983	13600	15.0	15.7	19.5	20



An **ECR International Brand**

**ENVIROMASTER INTERNATIONAL LLC**  
 5780 Success Drive, Rome, NY 13440  
 Phone: 1-800-228-9364  
 Fax: 1-800-232-9364  
 Email: info@retroaire.com