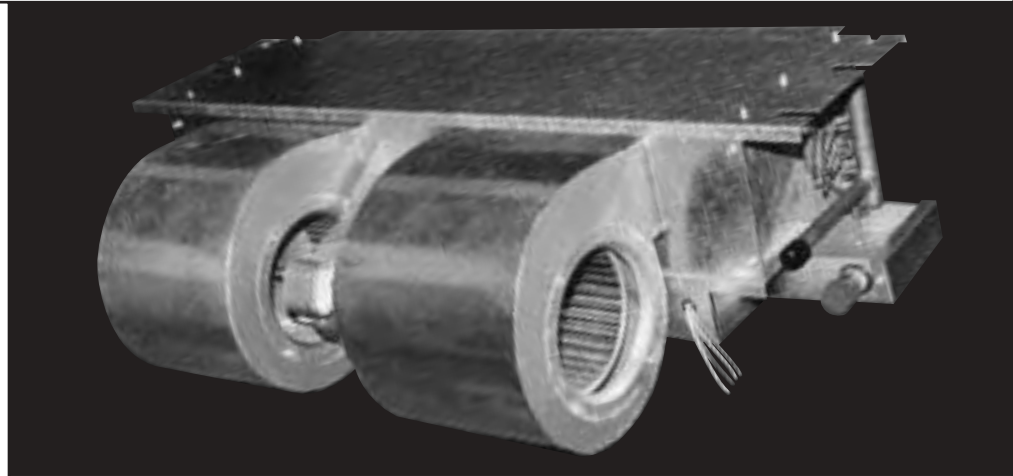


**SDXW
SERIES™**

**Air Handler
DX Cooling with Hot Water Heat
Horizontal Ceiling Mounted Design**

Description:

The SDXW Series horizontal fan coil series is designed for horizontal mounting into a furred down ceiling. This space saving SDXW series handles up to 1150 CFM of air movement, up to 3 tons of cooling and 14,400 to 51,100 hot water heat capacity. For cooling requirements, these units are designed to accept coils to match with most brands of AC condensing units. The SDXW Series are rated for 115 V and are U.L. listed.



- 115V / 1 Ph / 60 Hz.
- Space saving design.
- Galvanized steel blower wheels.
- Prewired for cooling and heating.
- 115V / 40VA transformer.
- Primary and secondary condensation drains.
- Easy access for service and maintenance.
- High efficiency copper tube / aluminum fin.

Blower Data:

Unit Model	Motor H.P.	CFM vs. External Static Pressure						
		0.0	0.05	0.10	0.15	0.20	0.25	0.30
SDXW-12-17-07-0A67	1/10	800	775	750	730	704	680	655
SDXW-18-21-0A-0A69	1/6	810	785	765	740	720	700	680
SDXW-19-22-0E-0A69	1/6	910	880	855	830	805	785	765
SDXW-24-23-09-0A69	1/6	950	920	890	875	850	825	805
SDXW-30-27-0J-0A70	1/4	1180	1145	1115	1085	1055	1025	1000
SDXW-31-28-05-0A70	1/4	1160	1130	1100	1070	1040	1020	985
SDXW-34-30-0K-0A70	1/4	1256	1212	1172	1133	1084	1059	1029
SDXW-35-30-0K-0A70	1/4	1216	1172	1138	1108	1049	1024	995
SDXW-36-32-0K-0A70	1/4	1275	1230	1190	1150	1100	1075	1045
SDXW-37-32-01-0A70	1/4	1235	1190	1155	1125	1065	1040	1010

Options:

- Louvered access panel
- Non-louvered access panel
- Time delay relays
- Return air plenum kit (field/factory installed)
- 24 hour pump timer "24V" (field installed)

Ceiling Access Panels

Part No.	Overall Frame Dimension	Type	SunTherm Horizontal Air Handler Models	Ship Wt.
CPL1	27-1/2 x 43	Louvered	SDXW-12, SDXW-18, SDXW-19,	18
CPNL1	27-1/2 x 43	Non-Louvered	SDXW-24	18
CPL2	27-1/2 x 49	Louvered	SDXW-30, SDXW-31	20
CPNL2	27-1/2 x 49	Non-Louvered		20
CPL3	27-1/2 x 55-1/2	Louvered	SDXW-34, SDXW-35	21
CPNL3	27-1/2x55-1/2	Non-Louvered		21
CPL4	27-1/2 x 62-1/2	Louvered	SDXW-36, SDXW-37	22
CPNL4	27-1/2 x 62-1/2	Non-Louvered		22

Approved for installation with 0" clearance to combustible materials.



Performance Data:

Unit Model	Nom. Cooling BTUH	Hot Water Heating Capacity (1)	Total Amps	Min. Circuit Ampacity	(2) Max. Fuses
SDXW-12-17-07-0A62	12,000	16,900	2.32	2.90	15
SDXW-18-21-0A-0A69	18,000	21,100	2.42	3.00	15
SDXW-19-22-0E-0A69	18,000	22,500	2.42	3.00	15
SDXW-24-23-09-0A69	24,000	22,700	2.42	3.00	15
SDXW-30-27-0J-0A70	30,000	27,800	3.82	4.80	15
SDXW-31-28-05-0A70	30,000	28,000	3.82	4.80	15
SDXW-34-30-0K-0A70	34,000	29,600	3.82	4.80	15
SDXW-35-30-0K-0A70	35,000	29,700	3.82	4.80	15
SDXW-36-32-0K-0A70	36,000	31,800	3.82	4.80	15
SDXW-37-32-01-0A70	36,000	32,200	3.82	4.80	15

Notes: (1) All Hot Water Heating Capacities at 140° F Water Temp., 70° F Ent. Air, and 3 GPM.

(2) Maximum fuse or HACR-type circuit breaker.

Heating Performance Data:

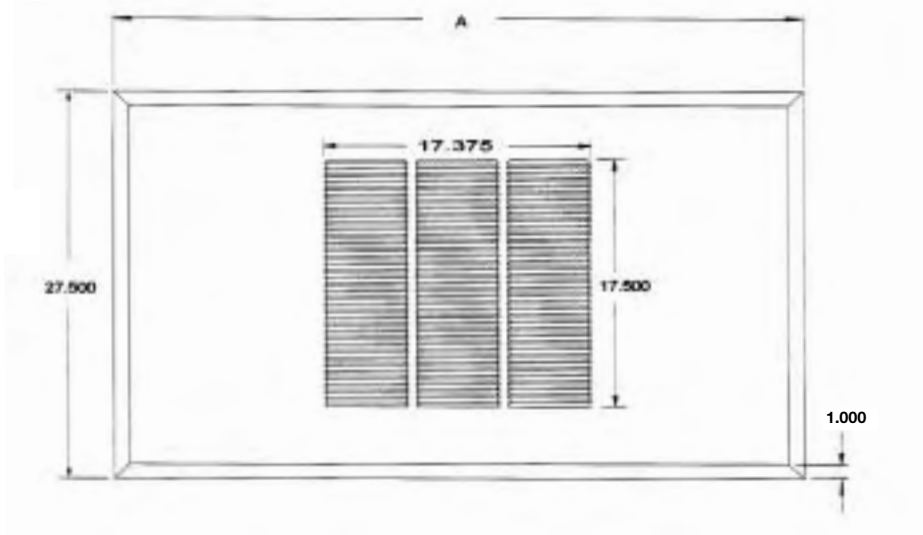
Unit Model	Heating Capacities						Heating GPM	Press. Drop FT-WTR
	Entering Water Temperature							
	130° F	140° F	150° F	160° F	170° F	180° F		
SDXW-12-17-07-0A62	14,400	16,900	19,300	21,800	24,300	26,800	3.0	3.3
SDXW-18-21-0A-0A69	18,000	21,100	24,200	27,300	30,500	33,600	3.0	3.3
SDXW-19-22-0E-0A69	19,200	22,500	25,800	29,100	32,400	35,800	3.0	3.3
SDXW-24-23-09-0A69	19,300	22,700	26,000	29,400	32,700	36,100	3.0	3.3
SDXW-30-27-0J-0A70	23,700	27,800	32,000	36,000	40,100	44,300	3.0	3.7
SDXW-31-28-05-0A70	23,900	28,000	32,200	36,300	40,500	44,600	3.0	3.7
SDXW-34-30-0K-0A70	25,300	29,600	33,900	38,300	42,700	47,100	3.0	3.7
SDXW-35-30-0K-0A70	25,400	29,800	34,000	38,500	42,900	47,300	3.0	3.7
SDXW-36-32-0K-0A70	27,200	31,800	36,500	41,200	45,900	50,600	3.0	4.2
SDXW-37-32-01-0A70	27,500	32,200	36,900	41,600	46,300	51,100	3.0	4.2

Rated water temperature range, at 70° F entering air.

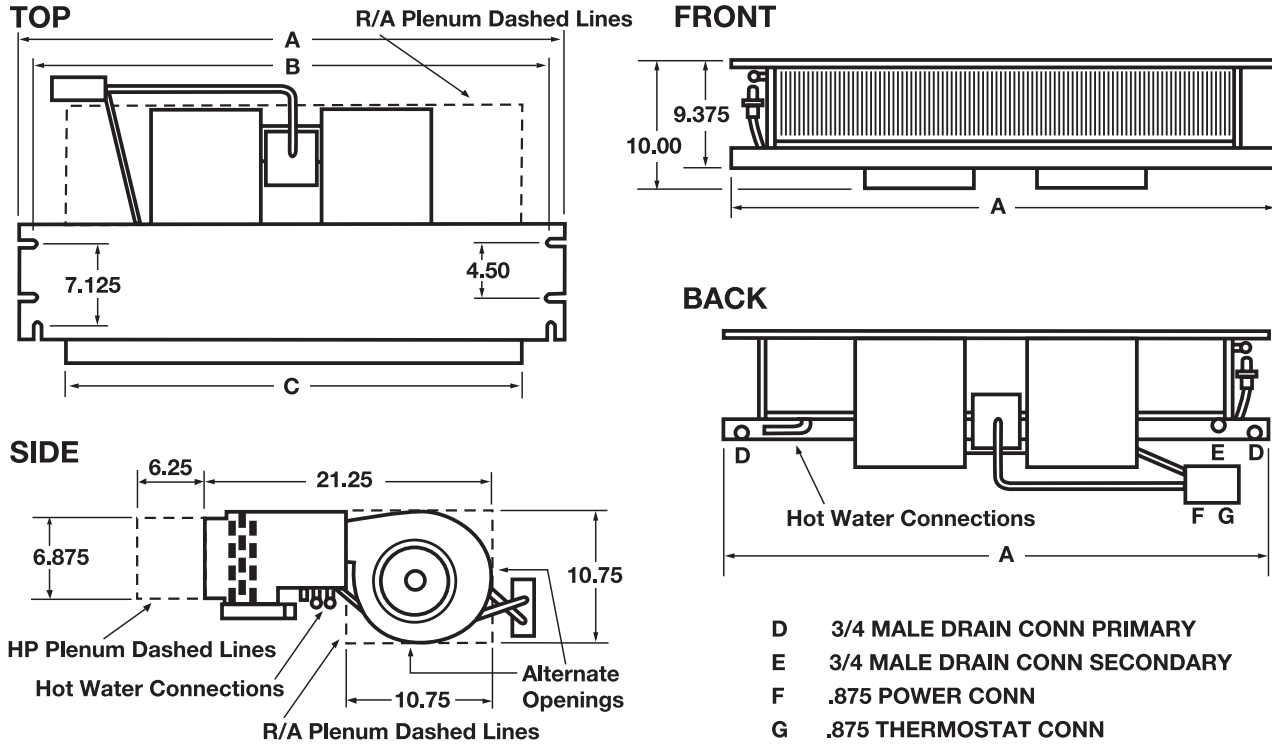
Louvered Door Dimensions:

Part No.	A
CPL1	43.000
CPL2	49.000
CPL3	55.500
CPL4	62.500

Note: "CPNL" - (Non-Louvered Version)



Dimensional Data:



Physical Dimensions:

Model Number	Liq. Ln.	Suct. Ln.	Water Ln.	Water Rows	Evap. Rows	Motor	A	B	C	Ship CWt.
SDXW-12-17-07-0A62	3/8	3/4	(2) 5/8	2	2	1/10	37	34.25	30	55
SDXW-18-21-0A-0A69	3/8	3/4	(2) 5/8	2	3	1/6	37	34.25	30	60
SDXW-19-22-0E-0A69	3/8	3/4	(2) 5/8	2	4	1/6	37	34.25	30	65
SDXW-24-23-09-0A69	3/8	3/4	(2) 5/8	2	3	1/6	37	34.25	30	60
SDXW-30-27-0J-0A70	3/8	3/4	(2) 5/8	2	3	1/4	45	42.25	38	70
SDXW-31-28-05-0A70	3/8	3/4	(2) 5/8	2	4	1/4	45	42.25	38	75
SDXW-34-30-0K-0A70	3/8	3/4	(2) 5/8	2	3	1/4	49	46.25	42	74
SDXW-35-30-0K-0A70	3/8	3/4	(2) 5/8	2	4	1/4	49	46.25	42	80
SDXW-36-32-0K-0A70	3/8	3/4	(2) 5/8	2	3	1/4	56	53.25	49	85
SDXW-37-32-01-0A70	3/8	3/4	(2) 5/8	2	4	1/4	56	53.25	49	90

Note: Nominal CFM at 0.15 External Static Pressure
 A-115V Motor

All Technical Specifications Subject to Change Without Notice.