

# RETROAIRE

*The Right Fit for Comfort*

## RC12 REPLACEMENT PTAC

P/N# 240003252, Rev. 1.5 [02/05]

**Replacement for:  
LENNOX PTEIA SERIES**



### **Straight Cool Only**

Nominal Capacities: 12,000 & 15,000 Btuh

#### **PRODUCT DESCRIPTION**

The Retroaire RC12 replacement chassis is a conditioner designed to allow owners of Lennox PTEIA series packaged terminal units to upgrade the performance of their room conditioning and achieve improved efficiencies.

The standard RC12 comes with adjoining room outlets, left or right.

This unit is available as a cooling only model with electric heat and hydronic heat options. The RC12 chassis will fit the existing wall sleeve of a Lennox "PTEIA." Consult factory if a heat pump version is requested (minimum quantities apply).

With a high efficiency rotary compressor, protected under a five year warranty, and an enhanced high efficiency heat exchanger, the replacement of worn out and inefficient units becomes a very attractive option. The Retroaire RC12 offers two fan speeds, positive condensate re-evaporation, and (optional) motorized fresh air feature with positive pressure seal and override switch.

All RetroAire products are backed by EMI and are tested in accordance with ARI Standards 310, 380, and UL484. A full service parts inventory is available.

▲▼ **Capacities** – The RC12 replacement chassis is available in nominal capacities of 12,000 and 15,000 Btuh. It is also available in 208/230 and 265V versions.

#### ▲▼ **Air Systems:**

- Forward-curved fans (mounted to dual motor shafts)
- PSC Motors (with overheat protection)
- ¼" insulated (matte fiberglass) air-stream surfaces
- Permanent washable-mesh filter (accessible without tools)

▲▼ **High Efficiency Heat Exchanger** – Coils are seamless, rifled copper tubing, arranged in staggered configuration, with enhanced aluminum fins and tested to 460 psig. The tubes are mechanically expanded for secure bonding to fin shoulders.

#### ▲▼ **Features:**

- 20-gauge galvanized steel with G90U corrosion rating
- Connections for aqua stat and motorized valve (for hydronic heat option)
- Quick removal of evap/blower assembly through removable front cover
- Automatic expansion valve metering for low-ambient cooling protection

▲▼ **Controls & Components** – Installed at the factory or supplied include:

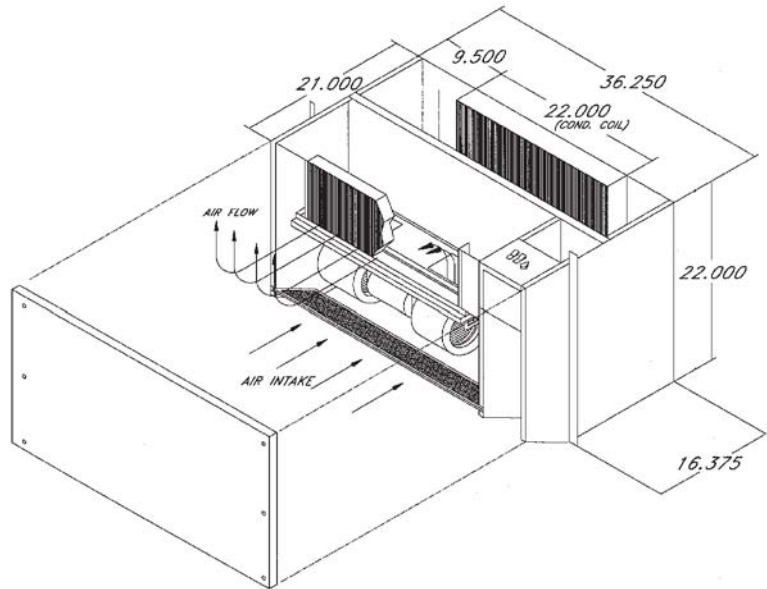
- Unit-Mounted Operating Controls
- Thermostat
- Fan Speed Control
- Heat/Cool Switch (when applicable)
- Condenser Side Air Baffles & Foam Seals (field installation kit supplied)

#### ▲▼ **Accessories:**

- Fan Cycle Control
- Motorized Fresh Air Damper
- Hydronic Heat

# DIMENSIONS AND SPECIFICATIONS

**IMPORTANT:** Due to RetroAire's on going development programs, designs and specifications may change without notice. Please consult factory for the latest information and submittal data before making any job site updates.



PERFORMANCE DATA				
UNIT SIZE	COOLING BTUH	EER	EVAP CFM HIGH/LOW	FRESH AIR CFM
12	12,200	10	390/340	40/35
15	15,500	9	440/390	40/35

ELECTRICAL SPECIFICATIONS												
NOTE: DATA WILL VARY IF ALTERNATE COMPONENTS (INCLUDING COMPRESSOR OR MOTOR) ARE USED TO MEET PRODUCTION NEEDS. CONSULT FACTORY FOR CURRENT SPECIFICATIONS.												
UNIT SIZE	VOLTS/HZ/PHASE	EVAP MOTOR		COND MOTOR		COMPRESSOR		TOTAL AMPS	MCA	MAX FUSE	MIN VOLTS	LINE CORD <sup>(1)</sup>
		FLA	HP	FLA	HP	RLA	LRA					
12	208-230/60/1	0.6	0.08	0.71	0.09	5.2	29	6.5	7.8	15	197	6-15P
	265/60/1	0.67	0.08	0.71	0.09	4.25	26	5.6	6.7	15	240	7-20P
15	208-230/60/1	0.6	0.08	0.71	0.09	7.6	45	8.9	10.8	15	197	6-15P
	265/60/1	0.67	0.08	0.71	0.09	6.3	32	7.7	9.3	15	240	7-20P

(1) IF ELECTRIC HEAT OPTION IS SELECTED, USE LINE CORD SPECIFICATIONS FROM "ELECTRIC HEAT" TABLE.

OPTIONAL ELECTRIC HEAT SPECIFICATIONS								
HEATER	VOLTS	WATTS	BTUH	AMPS	TOTAL HEAT AMPS	MCA	MAX FUSE	LINE CORD
3	208	2454	8400	11.8	12.4	15.3	20	6-20P
	230	3000	10,300	13	13.6	16.9	20	6-20P
	265	3983	13,600	15	15.7	19.5	20	7-20P
4	208	3271	11,200	15.7	16.3	20.3	25	6-30P
	230	4000	13,700	17.4	18	22.3	25	6-30P
	265	5310	18,200	20	20.7	25.7	30	7-30P
5	208	4089	14,000	19.7	20.3	25.2	30	6-30P
	230	5000	17,100	21.7	22.3	27.8	30	6-30P

NEMA Specifications Non-Locking/Receptacles								
VOLTAGE	125V		250V			265V		
	15(A)	20(A)	15(A)	20(A)	30(A)	15(A)	20(A)	30(A)
PLUG								
RECEPTACLE								

  
**An ECR International Brand**  
**ENVIROMASTER INTERNATIONAL LLC**  
 5780 Success Dr., Rome, NY 13440  
 Phone: 1-800-228-9364  
 FAX: 1-800-232-9364  
 Email: info@retroaire.com