

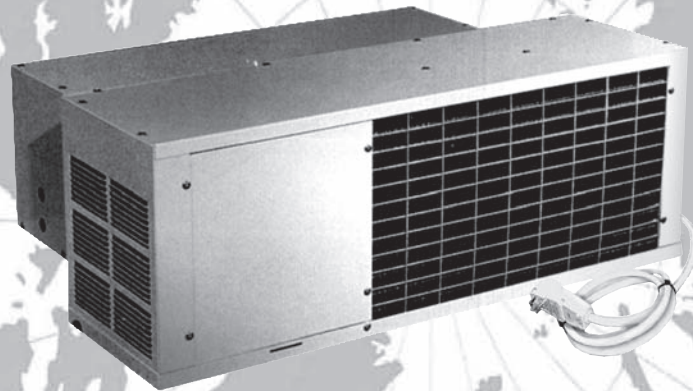
RC/RH 70 PACKAGED TERMINAL AIR CONDITIONER REPLACEMENT FOR:

Emerson and Sears Model 8T Over the Door or High Wall Unit

STRAIGHT COOL/HEAT PUMP

Nominal Capacities:
9,000 & 12,000Btuh

RETROAIRE
The Right Fit for Comfort



RC/RH70

Enviromaster International LLC
5780 Success Dr.
Rome, NY 13440
Email: info@retroaire.com

An **ECR** International Brand 
An ISO 9001-2000 Certified Company

P/N# 240001229, Rev. 1.2 [03/06]

RC/RH70 STRAIGHT COOL PACKAGED TERMINAL AIR CONDITIONER

INSTALLATION, OPERATION & MAINTENANCE GUIDE

P/N# 240001229, Rev. 1.2 [03/06]

Shipping Damage MUST be Reported to the Carrier IMMEDIATELY!!!
Examine the exterior. Remove cover and examine compressor and piping for signs of damage.

This manual is intended as an aid to qualified service personnel for proper installation, operation, and maintenance of the RetroAire RC/RH70 Packaged Terminal Air Conditioner (PTAC). Read these instructions thoroughly and carefully before attempting installation or operation. Failure to follow these instructions may result in improper installation, operation, service, or maintenance, possibly resulting in fire, electrical shock, property damage, personal injury, or death.

TO THE INSTALLER

- (1) Retain this manual and warranty for future reference.
- (2) Before leaving the premises, review this manual to be sure the unit has been installed correctly and run the unit for one complete cycle to make sure it functions properly.

To obtain technical service or warranty assistance during or after the installation of this unit, contact your local representative. Visit our website www.retroaire.com for a local representative listing. For further assistance call 1-800-228-9364.

When calling for assistance, please have the following information ready:

- Model Number _____
- Serial Number _____
- Date of installation _____



Recognize this symbol as an indication of important safety information



SAFETY INSTRUCTIONS

- ▲ Read all instructions before using the RetroAire RC/RH70 PTAC. Install or locate this unit only in accordance with these instructions. Use this unit only for its intended use as described in this manual.
- ▲ Check the rating plate on the RetroAire RC/RH70 PTAC before installation to make certain the voltage shown is the same as the electric supply to the unit.
- ▲ The RetroAire RC/RH70 PTAC must be connected only to a properly grounded electrical supply. Do not fail to properly ground this unit.
- ▲ Turn off the electrical supply before servicing the RetroAire RC/RH70 PTAC.
- ▲ Do not use the RetroAire RC/RH70 PTAC if it has damaged wiring, is not working properly, or has been damaged or dropped.

[Save these instructions]



DANGER



The RetroAire PTAC must:

- ▲ Be connected to a properly grounded electrical supply with the proper voltage as stated on the rating plate.
- ▲ Have proper over current protection (i.e. time-delay fuse/HACR-Breaker) as listed on the Rating Plate.

Failure to follow these instructions can result in a fire, explosion, or electrical shock causing property damage, personal injury, or death.

TABLE OF CONTENTS

To the Installer and Safety Instructions.....	2
Warnings and Installer Responsibilities	3
Important Safety Feature	3
Installer Responsibilities	3
Controls and Components	4
Product Description, Capacities, Air System	4
Heat-exchanger, Refrigeration, Electrical Wiring	4
Installation Instructions	5-6
Final Inspection and Start-Up	7
Sequence of Operation	8-9
Cleaning and Maintenance	10
Troubleshooting	10
Specifications and Dimensions	11
Warranty	12

INSTALLER RESPONSIBILITIES

This manual has been prepared to acquaint you with the installation, operation and maintenance of this RetroAire RC/RH70 PTAC and to provide important safety information in these areas.

We urge you to read all of the instructions thoroughly before attempting the installation or operation of this unit. This manual should be kept for future reference.

The manufacturer of this unit will not be liable for any damages caused by failure to comply with the installation and operating instructions outlined in this manual.

A rating plate identifying this RetroAire RC/RH70 PTAC can be found on the unit. When referring to your unit, always have the information listed on the rating plate readily available.

MODIFICATION AND TAMPERING



Tampering with the RetroAire RC/RH70 PTAC is dangerous and may result in serious injury or death. Tampering voids all warranties. Do not attempt to modify or change this unit in any way.

IMPORTANT SAFETY FEATURE

Power Cord With Integral Safety Protection

All PTACs rated 250V or less that are cord connected to the power supply are equipped with a power cord with integral safety protection as standard. Providing personal shock protection as well as arcing and fire prevention, the device is designed to sense any damage in the line cord and disconnect power before a fire can occur. Tested in accordance with Underwriters Laboratories, the cord set also offers a unique "passive" operation, meaning the unit does not require resetting if main power is interrupted.

WARNING - A DAMAGED POWER SUPPLY CORD MUST BE REPLACED WITH A NEW CORD FROM THE MANUFACTURER, AND NOT REPAIRED.

Each power cord should be checked before every use. Follow the instructions in the order listed on the device.

WARNING - DO NOT USE THE PRODUCT IF THE UNIT FAILS THE TEST.



Completely read all instructions prior to assembling, installing, operating, or repairing this product. Inspect all parts for damage prior to installation and start-up. The RetroAire RC/RH70 PTAC must be installed ONLY by qualified installation personnel.

Note: Unit uses R22 refrigerant.

PRODUCT DESCRIPTION

The RetroAire RC/RH70 replacement chassis is a conditioner designed to allow owners of Emerson and Sears Model 8T Over-the-Door or High Wall units to upgrade the performance of their room conditioning and achieve current efficiency standards.

This unit is available as a cooling only model or for those who wish to upgrade to a heat pump, the RH 70 will fit the existing wall opening. The heat pump version will reduce energy costs during periods of outdoor temperature ranging down to as low as 35°.

With Energy Efficiency ratings as high as 9.0, the replacement of worn out and inefficient units becomes a very attractive option. The RC/RH70 are sold with a wall mounted thermostat, mounting brackets and electric heat included, eliminating the need for optional equipment.

Whisper quiet operation improves the room ambiance and a washable permanent filter makes service a snap. The heavy gauge, Galvaneal steel construction of the cabinet and baked enamel paint finish ensures long service life.

All RetroAire products are backed by EMI and ECR International and are tested and rated in accordance with ARI Standards 310 & 380 and UL 484. A full service parts inventory is always available.

CAPACITIES

The RC/RH70 Replacement Chassis are available in nominal capacities of 9,000 & 12,000 Btuh.

AIR SYSTEMS

- Fan is forward curved type, directly mounted to the motor shaft.
- Motors are PSC type with overheat protection.
- Air stream surfaces are insulated with 1/4" fiberglass or 1/8" Volara™.
- Filter is permanent, washable mesh.

HIGH EFFICIENCY HEAT EXCHANGER

Coil is seamless, copper tubing, arranged in staggered configuration, with enhanced aluminum fins, tested to 460 psig. The tubes are mechanically expanded for secure bonding to fin shoulders.

REFRIGERATION CIRCUIT

- High Efficiency, rotary compressor with a five-year warranty.
- Low maintenance capillary expansion tube. Heat pumps equipped with refrigerant check valve.

HEAT PUMPS

- Heat Pump heating operates as low as 35° outdoor temperature.
- Heat Pumps include adjustable change-over temperature point and emergency heat position.

OPTIONS

- The RC/RH 70 units are complete as delivered and require no optional equipment. Electric heat option can be either 2KW or 3KW.

INSTALLER SUPPLIED ITEMS

NOTE: *Proper electrical supply (see unit rating plate on unit)*

- Low voltage thermostat wire
- Optional wire mold to cover thermostat wire
- Outdoor condensate removal piping (required on Heat pump-optional, on straight cool units with electric heat)
- Fasteners to mount chassis to outside of building

ITEMS FOR CONSIDERATION (New Installation)

Select a location that will allow ease of electrical wiring for power supply.

Locate on a wall that will supply the best airflow to room being conditioned.

Routing of low voltage thermostat wire for room thermostat.

Building construction when cutting opening into wall.

SITE PREPARATION

NEW INSTALLATION

Select location to cut a 30 1/4" x 10 5/8" opening in wall. Check for electrical lines. Plumbing or heating equipment in wall before cutting into wall

IMPORTANT! Check for Electrical Lines **BEFORE CUTTING INTO WALL**

Run line voltage power to equipment site. Electrical plug should be within 18" of either side of the EMI chassis. Refer to unit rating plate for circuit ampacity and breaker/fuse size. Use only HACR type breakers. Select the proper wire for ampacity rating. Run low voltage wiring for wall-mounted thermostat. All wires must be run in accordance with NEC and local codes for class 2 wiring.

Run the following number of 24 Volt wires to thermostat

Straight cool with electric heat – 4 wires

Heat Pump with electric heat – 3 wires

It is common practice to run one (1) additional low voltage wire.

Low voltage wires may be run inside the wall or along the exposed wall and covered with wire molding.

REPLACEMENT OF EXISTING UNIT

1. Disconnect power. Unplug cord or turn off circuit breaker. Disconnect power wires.
2. Remove and discard old unit from wall opening. Clear opening of insulation or other debris. A clean, level surface is necessary for proper mounting and sealing of the RetroAire chassis. Check the size of the wall opening. Minimum acceptable opening is 30 1/2" wide, by 11" high.
3. Inspect power supply for damage to wiring. Determine circuit ampacity to assure proper connection to RetroAire chassis. Check unit rating plate for circuit ampacity and breaker or fuse size. Use only HACR type breakers.

IMPORTANT: Unit should have its own plug. Never run an extension line cord.

INSTALLATION INSTRUCTIONS

RC/RH70 INSTALLATION KIT

- 1 Installation Manual
- 1 Thermostat, One Stage
- 4 #8x3/8 Screws
- Mounting Bracket
- 1 7/8 to 3/8 Bushing

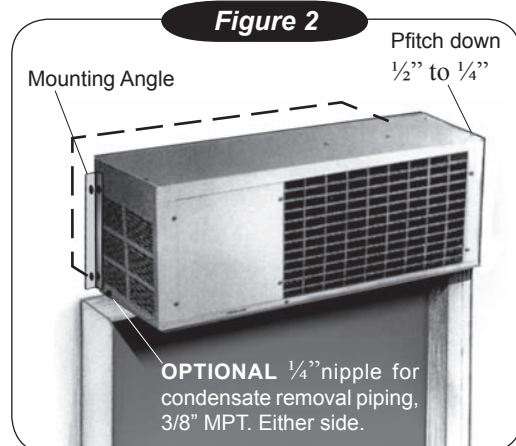
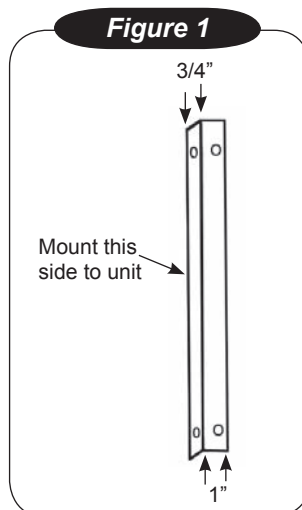
HYDRONIC ONLY

- 1 Nipple, Galv. 1 1/2 x 1/4

MOUNTING THE UNIT

1. Attach mounting angle brackets (*Figures # 1 & 2*) to chassis, keeping the short side to the unit.

NOTE: When brackets are mounted to wall, the unit should pitch outward approximately 1/2" to 1/4" to aid in the removal of condensate by use of the condensate fan slinger ring. (*Figure #2*)



2. **From the outside**, slide unit into opening in wall. Secure the unit to the wall from the outside, through the wall mounting angles on the unit chassis. (*Figure #2*) Use the appropriate anchoring device for building construction type. (Not supplied by RetroAire.) Inspect unit for pitch. (*Figure #2*)
3. Seal unit to building with caulk, insulating foam or other weatherproofing material.

CONDENSATE REMOVAL (Straight Cool Only)

When the heat pump model is run in the heating mode, the outdoor side to the unit will produce condensate water which must be removed. To remove condensate: Remove rubber plug on either side of base pan of the outdoor side. This will allow the water to drain out of the chassis. The water may need to be piped away from the area to prevent safety problems. When running condensate removal piping, a 3/8" MPT pipe may be threaded into the chassis. (Figure #2)

ELECTRICAL CONNECTIONS
High Voltage Connection

All wiring should be in accordance with the National Electric Code (NEC) and the local building codes.

⚠ WARNING ⚠

To avoid possible injury or death due to electrical shock, open the power supply disconnect switch and secure it in an open position during installation. On a plug and receptacle connection, keep the unit unplugged until installation is complete.

1. Inspect the existing wiring for any deficiencies such as cut or frayed wires. Replace such wiring if found.
2. Check the unit rating plate for circuit ampacity and breaker or fuse size. **Use only HACR type breakers.** Select the proper wire for the ampacity rating.
3. If plug and receptacle are used, check the compatibility. The chassis can be hard wired or direct connected as well.
4. Each unit must have a separate branch circuit protected by a fuse or breaker. Refer to the unit rating plate for the proper wire and breaker or fuse size. **Use of extension cords is prohibited.**

⚠ DANGER ⚠

The RetroAire PTAC must:

- ▲ Be connected to a properly grounded electrical supply with the proper voltage as stated on the rating plate.
- ▲ Use the proper maximum over current protection device stated on the rating plate.

The use of extension cords is prohibited.

Failure to follow these instructions can result in a fire, explosion or electrical shock causing property damage, personal injury or death.

LOW VOLTAGE Connection

Place the 7/8" x 3/8" plastic bushing provided in cabinet hole above line cord connection.

Route leads through this bushing.

When left side connections are used, cut low volt leads to desired length for connection outside unit. Wire lengths provided are for right-hand connection.

NOTE* When using the right side connections for low volt wiring, it is necessary to route these wires along with the line cord. You will need to secure down at the tie base and wire tie along the line cord where necessary to prevent movement.

Using wire nuts supplied in junction box, make electrical connection L1, L2, and ground. Replace junction box cover.

FINAL INSPECTION AND STARTUP

⚠ CAUTION ⚠

When the unit is first powered up, high humidity conditions can cause condensation to form on the discharge grill. Keep doors and windows closed to reduce humidity and condensation will evaporate.

1. Make sure the chassis is level. Check by pouring water into the drain pan and making certain it flows through the drain hoses to the condenser side of the unit.
2. Plug or hard wire line voltage to unit.

IMPORTANT: Follow the information provided on the rating plate for voltage and amperage/fuse size for proper supply.

3. Attach the front panel to the existing cabinet enclosure.
4. Turn the power on.
5. Check for proper operation (i.e., cooling, optional fresh air, and heating if supplied).
6. Check to be sure nothing will interfere with the room discharge air or the return air to the units (i.e., curtains or drapes that obstruct the air flow or plush carpeting that can obstruct the return air (see below)). Items like these can cause serious damage to the chassis and can void the warranty.

SEQUENCE OF OPERATION

UNIT MOUNTED AND REMOTE THERMOSTAT CONTROLS

RetroAire units can be equipped with unit mounted or remote controlled thermostats. Turning the unit mounted thermostat knob to the far left will produce the warmest room temperature while turning it all the way to the right will produce the coolest. These settings can be adjusted for personal comfort.



CAUTION

Avoid rotating the thermostat knob back and forth from heating to cooling. This causes the compressor to cycle on and off rapidly and **WILL** cause damage to the compressor. Allow the compressor to remain off for at least three minutes prior to restarting the unit.

COOLING CYCLE

1. Place system switch in the "COOL" position.
2. Rotate thermostat knob (*Figure A*) clockwise until the compressor fans start running and cold air begins to flow from the unit. For a colder room temperature, continue turning the thermostat knob clockwise and let the unit continue operating to cool the room and remove humidity. If a warmer room temperature is desired, rotate the thermostat knob counter-clockwise until the compressor cycles off.

IMPORTANT: *The room temperature must be above 65° F for the compressor to operate.*

3. Place system switch in the "OFF" position. All operation should stop.

HEATING CYCLE - ELECTRIC

1. Place system switch in the "HEAT" position.
2. Rotate thermostat knob counter-clockwise until the indoor fans start running and the electric coil starts emitting heat. The condenser fans do not run during the heating cycle unless the chassis is a heat pump. After the unit starts running and the area gets warmer, turn the thermostat knob clockwise until a slight click is heard and the electric heater turns off. If a warmer room temperature is desired, continue turning the knob counter-clockwise and let the unit continue operating. If a cooler room temperature is desired, rotate the thermostat knob clockwise until the electric heater cycles off.

IMPORTANT: *Room temperature must be below 85° F to energize the heater.*

3. Place system switch in the "OFF" position. All operation should stop.

MOTORIZED FRESH AIR DAMPER (Optional)

The optional motorized fresh air damper allows the operator to move fresh air into the space to be conditioned. This is done by placing the damper door switch in the "YES" position, opening the damper door and allowing fresh air to be moved into the space. To stop the flow of fresh air, simply place the switch in the "NO" position.

CHANGEOVER T-STATS (Heat Pump Only)

On units with a changeover thermostat, the compressor can run to an outdoor temperature of 40° F and then shut off. Electric heat will then energize and assume the heating demand until the temperature of the outdoor air rises to approximately 50° F.

FAN CYCLE SWITCH

This option allows the operator of the Dual Motor PTAC to have the evaporator fan cycle or run continuously. With the switch in the cycling position the evaporator fan will only run when the unit is calling for heat or cooling. When the switch is in the "CONSTANT" position, the evaporator fan will run continuously unless the unit is physically turned off.

CONDENSATE REMOVAL

The Dual Motor PTAC has a drain connection at each end of the condensate drain pan. This allows the condensate to drain through the bulkhead to the area near the condenser fan. The condenser fan has a slinger ring that picks up the condensate and slings it on the hot condenser coil where it evaporates. On heat pump models condensate can form on the outdoor coil during the heat pump cycle. A temperature sensitive valve in the base pan will allow condensate to flow to an internal piping system or external drain kit (supplied by others).

AQUASTAT CONNECTION (Optional)

All straight cool Dual Motor PTACs are supplied with a standard high volt aquastat connection. The connection is located on the bottom or side with a black jumper wire installed in molex. To wire option take jumper wire and cut in half. Then connect 2 field supplied wires to the cut ends of jumper and wire to aquastat (see wiring diagram for more information). If option is not being used simply leave jumper wire connected to unit.

OPERATION AND MAINTENANCE



Before servicing the RetroAire Dual Motor PTAC, be sure to turn off electrical power to the unit. Failure to do so can result in a fire, explosion or electrical shock causing property damage, personal injury or death.

OPERATION

The front cabinet should remain on the unit at all times. Service should be performed by a qualified service agency.

Remote Thermostats:

- A. Remote thermostats will require operation according to standard thermostat settings. Refer to operating instructions of the particular thermostat used.
- B. Heat pump models will contain a change over thermostat. The compressor will run until just above freezing; then compressor will shut off and the electric heat will come on until the temperature of the condenser coil rises above freezing then compressor will re-start.

MAINTENANCE

RetroAire units are designed and constructed for reliability and long life with minimal maintenance. You can assure peak operating efficiency by:

Service should be performed by a **QUALIFIED** service agency.

RetroAire units are designed and constructed for reliability and long life with minimal maintenance.

1. This unit is equipped with a permanently lubricated motor. Although oiling is not necessary, adding a few drops through the oiling ports twice yearly will extend the life of the motor. Do not over oil.

2. Regular cleaning of the air filter is required. The filter is removed by lifting the discharge louver and locking top hinges in open position. Disconnect filter from clips. It may then be cleaned by a vacuum cleaner or garden hose. Allowing dust to collect on the filter will cause the unit to lose efficiency and eventually malfunction. Check filter at least once each month.

3. Vacuum dust from the return air grille surface when cleaning the filter.

4. Clean the exterior of the cabinet as desired. Use a mild household cleaner.

TROUBLESHOOTING GUIDE

- A. If compressor will not start, check to see if the thermostat is satisfied. If the thermostat is not satisfied, check for proper wiring and that relays are not damaged.

NOTE: CR/relay – cooling relay
HR/relay – heating relay

- B. If there is no electric heat, check to see if heater contacts pull in. Possible problems could be the heat relay, limit switch or fuse link.

- C. If you are unable to find any of these problems consult with a factory for further information.

CLEANING AND MAINTENANCE



WARNING

It is illegal to discharge refrigerant into the atmosphere. Use proper reclaiming methods and equipment when servicing a RetroAire Dual Motor PTAC.

CLEANING THE INTERIOR OF THE UNIT

1. Disconnect power from unit.
2. Remove access panels and do a visual inspection of the unit, making sure to check for obvious problems such as damaged coils or evidence of extended wear on any moving part.
3. Check for unusual odors, oil leaks, or stains on or around the coil and refrigerant lines. The presence of oil here may indicate a potentially serious problem such as a refrigerant leak.
4. Inspect all electrical connections. Look for frayed wires and poor connections. Terminal ends that are loose will eventually fail, causing a loss of performance or worse.
5. Check fan motors and blower assemblies. Some units may require a drop of light oil to motors and/or bearing assemblies (look for oil cups). Check setscrews and motor mounting hardware, making sure they are tight.
6. Brush and/or vacuum the centrifugal fan blades and blower cage assemblies. These parts must be clean to operate efficiently.
7. Inspect and clean the indoor and outdoor coils, using a fin comb, if necessary, to straighten any damaged fins. these coils must be clean for proper operation.

IMPORTANT: *Do not use a solvent-based cleaner on the indoor or outdoor coils. Some solvents can produce a noxious odor when starting the fan or electric heat.*

8. Inspect and clean the drain pan and drainline (if any). Use of an anti-fungicide tablet is recommended to keep the condensate system free from bacterial contaminants.
9. Check weep holes along the rear flange of the base pan, making sure they are open.
10. Check the pitch of the unit. Over time the building and equipment may settle, causing a shift in the direction of the condensate flows. Ideally the unit should pitch a minimum of 5° (at least ½") to the outside to allow for proper drainage.
11. Replace panels and reconnect electrical power.
12. Test unit operation.

CLEANING THE EXTERIOR

1. Clean the air filter at least once a month by removing it from the unit and washing or vacuuming any dust from its surface. Allowing dust to collect on the filter will cause the PTAC to lose efficiency and eventually malfunction.
2. When cleaning the filter, be sure to vacuum any dust from the return air grille surface as well.
3. Clean exterior of the cabinet as desired with a mild soap or household cleaner.

IMPORTANT: *If a new air filter is needed for your RetroAire Dual Motor PTAC, consult factory for availability and/or proper sizing.*

TROUBLESHOOTING

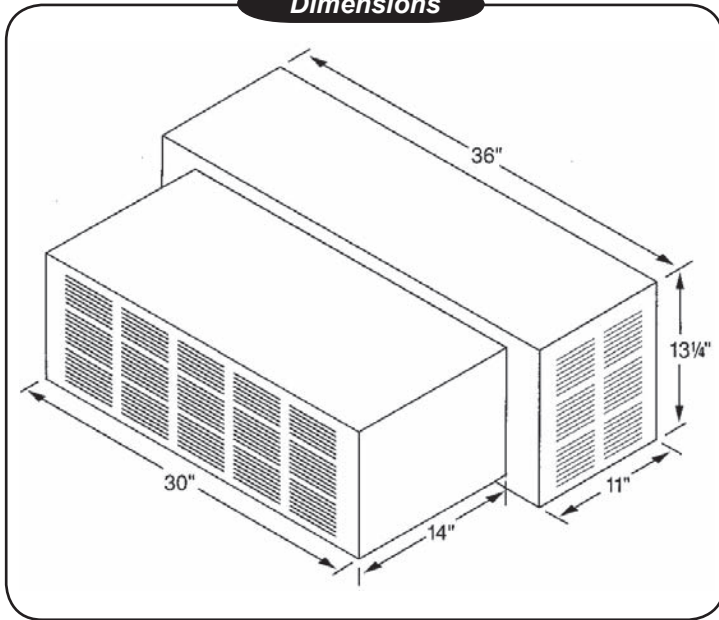
- If the compressor will not start, check to see if the thermostat is satisfied. If the thermostat is not satisfied, check for proper wiring and make sure that relays are not damaged.
- If there is no electric heat, see if heater contacts pull in. Possible problems could be the heat relay, limit switch, or fuse link.
- If you are unable to find any of these problems, contact the factory for further information.

NOTE: CR/relay = cooling relay
HR/relay = heating relay

RC70 SPECIFICATIONS AND DIMENSIONS

IMPORTANT: Due to RetroAire's on going development programs, designs and specifications may change without notice. Please consult factory for the latest information and submittal data before making any job site updates.

Dimensions



RC70 Performance Data*

Unit Size	Cooling		Heat Pump Btuh	COP	Evaporator CFM Hi
	Btuh	EER's			
09	8,600	8.6	8,500	2.8	270
12	11,500	9.0	11,000	2.7	270

* Due to the ongoing product development and use of alternate components (compressors, motors, etc.) to meet production requirements, performance data is subject to change without notice. Consult factory for most current performance data.

RC70 Electrical Specifications

Model Number	Voltage/Hz/Phase	Evap Motor		Cond Motor		Compressor		Total Amps	MCA	Max Fuse	Min Voltage	Line Cord
		FLA	HP	FLA	HP	RLA	LRA					
9	115/60/1	.75	.30	1.6	.125	7.4	44.0	9.75	11.5	15	104	6-15P
	208/230/60/1	.40	.30	0.7	.125	3.8	20.0	4.90	6.3	15	197	6-15P
	265/60/1	.40	.30	0.7	.125	3.3	18.6	4.40	5.4	15	240	7-20P
12	115/60/1	.75	.30	1.6	.125	9.7	54.0	12.05	14.5	20	104	5-15P
	208/230/60/1	.40	.30	0.7	.125	4.8	26.3	5.90	6.9	15	197	6-20P
	265/60/1	.40	.30	0.7	.125	4.2	28.0	5.30	6.2	15	240	7-20P

RC70 Optional Electric Heat Specifications

Heater No.	Voltage	Watts	Btuh	Amps	Total Heat Amps	Ampacity	Max Fuse	Line Cord
2	208	1,650	5,900	7.9	8.4	10.4	15	6-15P
	230	2,000	7,100	8.7	9.2	11.4	15	6-15P
	265	2,700	9,500	10.2	10.7	13.3	15	7-20P
3	115	750	2,850	6.5	7.0	8.7	15	5-15P
	208	2,500	8,800	12.0	12.5	15.5	20	6-20P
	230	3,000	10,500	13.0	13.5	16.8	20	6-20P
	265	4,000	13,900	15.1	15.6	19.4	20	7-20P
	277	4,400	15,300	15.9	16.4	20.4	20	7-20P

NEMA Specifications Non-Locking/Receptacles

VOLTAGE	125V		250V			265V		
	15(A)	20(A)	15(A)	20(A)	30(A)	15(A)	20(A)	30(A)
PLUS								
RECEPTACLE								

ALL PRODUCT LIMITED WARRANTY

Enviromaster International Corporation LLC (EMI) warrants to the purchaser/owner, that the EMI products will be free from defects in material and workmanship under the normal use and maintenance for a period of twelve months for all components, and (60) months on unit compressors from date of the original installation or 15 months for all components and 63 months on unit compressors from the date of original sale whichever comes first.

WHAT WE WILL COVER

EMI will replace any defective part returned to EMI's approved service organization with a new or rebuilt part at no charge. The replacement part assumes that unused portion of this warranty.

WHAT WE DON'T COVER

THIS WARRANTY DOES NOT INCLUDE LABOR or other costs incurred for repairing, removing, installing, shipping, servicing, or handling of either defective or replacement parts.

EMI IS NOT RESPONSIBLE FOR

- Normal maintenance
- Damage or repairs required as a consequence of faulty installation or application by others.
- Failure to start due to voltage conditions, blown fuses, open circuit breakers, or other damages due to the inadequacy or interruption of electrical service.
- Damage or repairs needed as a consequence of any misapplication, abuse, improper servicing, unauthorized alteration, or improper operation.
- Damage as a result of floods, winds, fires, lightning, accidents, corrosive atmosphere, or other conditions beyond the control of EMI.
- Parts not supplied or designated by EMI.
- Products installed outside the United States or Canada.
- Any damages to person or property of whatever kind, direct or indirect, special or consequential, whether resulting from use or loss of use of the product.

LIMITATION OF WARRANTIES

This Warranty is exclusive and in lieu of any implied warranties of merchantability and fitness for a particular purpose and all other warranties express or implied. The remedies provided for in this warranty are exclusive and shall constitute the only liabilities on the part of EMI including any statements made by any individual which shall be of no effect.

FOR SERVICE OR REPAIR:

- 1) Contact the installer
- 2) Call the nearest distributor
- 3) Contact the factory


An **ECR** International Brand
ENVIROMASTER INTERNATIONAL LLC
5780 Success Drive, Rome, NY 13440
Email: info@retroaire.com

