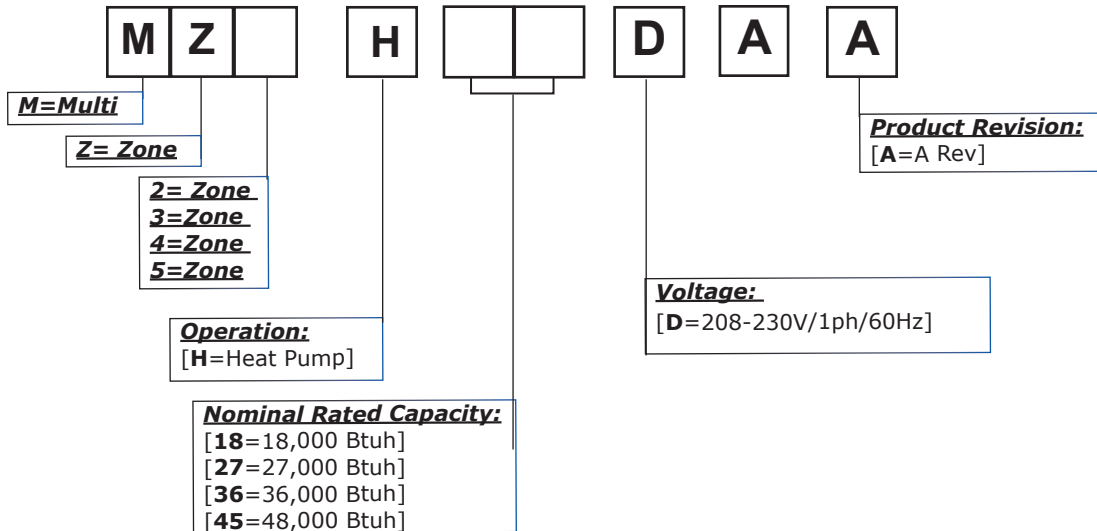


Multi Zone Condenser (Heat Pump)



Indicate the <i>quantity</i> of field installed accessories, required for each unit			
QTY Ordered	Description	Part Number	Notes
	TUBE SET,3/8X1/4X16',5M,WALH/CASH09,FLR,INS,US	F0323161A	09 size only
	TUBE SET,3/8X1/4X26',8M,WALH/CASH09,FLR,INS,US	F0323261A	09 size only
	TUBE SET,1/2X1/4X16',5M,WALH/CASH12,18,FLR,INS,US	F0423161A	12 & 18 sizes
	TUBE SET,1/2X1/4X26',8M,WALH/CASH12,18,FLR,INS,US	F0423261A	12 & 18 sizes
	TUBE SET,5/8X3/8X26',8M,24-36,FL,INS,US	F0533262A	24 size only
	TUBE SET,5/8x3/8X49',15M,24-36,FL,INS,US	F0533492A	24 size only

Number of Units Ordered

Approved:	
Reviewed:	
Contact:	
Address:	
Phone:	
Unit Tag #	
REVISION	

Approval
By: _____



Air Handler Combinations, per Condenser Model				
Model #	2-Zone	3-Zone	4-Zone	5-Zone
MZ2H18DAA	9K + 9K	N/A	N/A	N/A
	9K + 12K			
	12K + 12K			
MZ3H27DAA	9K + 9K	9K + 9K + 9K	N/A	N/A
	9K + 12K	9K + 9K + 12K		
	9K + 18K	9K + 12K + 12K		
	12K + 12K	9K + 9K + 18K		
	12K + 18K	12K + 12K + 12K		
	18K + 18K			
MZ4H36DAA	9K + 9K	9K + 9K + 9K	9K + 9K + 9K + 9K	N/A
	9K + 12K	9K + 9K + 12K	9K + 9K + 9K + 12K	
	9K + 18K	9K + 9K + 18K	9K + 9K + 9K + 18K	
	9K + 24K	9K + 12K + 12K	9K + 9K + 12K + 12K	
	12K + 12K	9K + 12K + 18K	9K + 9K + 12K + 18K	
	12K + 18K	9K + 18K + 18K	9K + 12K + 12K + 12K	
	12K + 24K	12K + 12K + 12K	12K + 12K + 12K + 12K	
	18K + 18K	12K + 12K + 18K		
		12K + 12K + 24K		
		12K + 18K + 18K		
MZ5H45DAA	9K + 18K	9K + 9K + 9K	9K + 9K + 9K + 9K	9K + 9K + 9K + 9K + 9K
	9K + 24K	9K + 9K + 12K	9K + 9K + 9K + 12K	9K + 9K + 9K + 9K + 12K
	12K + 12K	9K + 9K + 18K	9K + 9K + 9K + 18K	9K + 9K + 9K + 9K + 18K
	12K + 18K	9K + 9K + 24K	9K + 9K + 9K + 24K	9K + 9K + 9K + 9K + 24K
	12K + 24K	9K + 12K + 12K	9K + 9K + 12K + 12K	9K + 9K + 9K + 12K + 12K
	18K + 18K	9K + 12K + 18K	9K + 9K + 12K + 18K	9K + 9K + 9K + 12K + 18K
	18K + 24K	9K + 12K + 24K	9K + 9K + 12K + 24K	9K + 9K + 9K + 18K + 18K
	24K + 24K	9K + 18K + 18K	9K + 9K + 18K + 18K	9K + 9K + 12K + 12K + 12K
		9K + 18K + 24K	9K + 9K + 18K + 24K	9K + 9K + 12K + 12K + 18K
		9K + 24K + 24K	9K + 12K + 12K + 12K	9K + 12K + 12K + 12K + 12K
		12K + 12K + 12K	9K + 12K + 12K + 18K	9K + 12K + 12K + 12K + 18K
		12K + 12K + 18K	9K + 12K + 18K + 18K	12K + 12K + 12K + 12K + 12K
		12K + 12K + 24K	9K + 12K + 12K + 24K	
		12K + 18K + 18K	12K + 12K + 12K + 18K	
		12K + 18K + 24K	12K + 12K + 12K + 24K	
		12K + 24K + 24K	12K + 12K + 18K + 18K	
		18K + 18K + 18K		
		18K + 18K + 24K		

NOTE: If total indoor units load exceeds nominal capacity of outdoor unit, the practical output capacity of every indoor unit will be correspondingly attenuated. This situation is very evident during heat mode.

NOTICE: Due to ongoing product development; design, specification and performance data listed within this submittal document are subject to change without notice. Visit our website enviromaster.com for the most current performance data or consult the factory.



ECR international
EST. 1928
A Family of Heating & Cooling Brands.

ECR International, Inc.

2201 Dwyer Avenue,

Utica NY 13501

Phone: 800.325.5479

Web: enviromaster.com