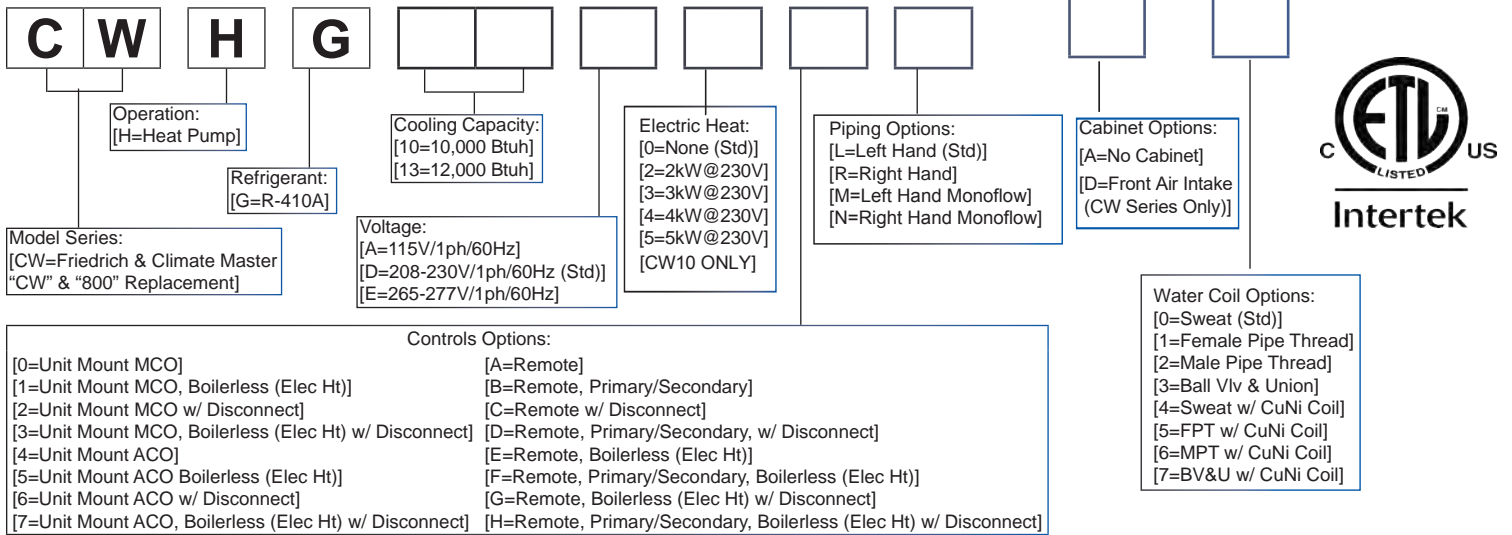


Specifications & Submittal Sheet

New Construction/Replacement Water Source Heat Pump Console

CWHG Equipment Model Decoding:



Please indicate the quantity of any field-installed accessory, desired for each unit

Thermostat, Single-Stage, 1-Heat/1-Cool, 24Vac, Programmable, ICM, Manual Changeover (PN 240008208)	Kit, Cabinet Assembly, 48", Left Hand Piping (PN 550000199)
Thermostat, Single-Stage, 1-Heat/1-Cool, 24Vac, Programmable, ICM, Auto Changeover (PN 240008210)	Kit, Cabinet Assembly, 48", Right Hand Piping (PN 550000200)
Thermostat, HT-2/CL-1 Wireless T631W-2 (PN 240010667)	Kit, Cabinet Assembly, 20° Slope Top, Left (PN 550003583)
Isolation Ball Valve, 1/2", Sweat Connections (PN 107000001)	Kit, Cabinet Assembly, 20° Slope Top, Right (PN 550003649)

Important Selection Notes

Order Qty

- Electric Heat available on the CWHG10, 208/230V & 265V
- Only "2"/"3" Electric Heat available for 265V, see Page 2/IOM
- If selecting electric heat, select a "Boilerless" control option
- 24Vac Remote thermostat sold separately
- Primary/Secondary has replaced Master/Slave

DOE Performance Data (AHRI/ISO 13256-1)

Model	Cooling Btuh (kW)	Sensible Heat Ratio	EER	Heat Pump Btuh (kW)	COP	Indoor	
						Airflow CFM (L/S)	Sound dB(A)
CWHG10	10,000 (2.9)	0.77	12.2	11,000 (3.2)	4.3	400 (189)	45
CWHG13	12,000 (3.5)	0.85	12.2	13,600 (4.0)	4.3	450 (212)	48



To: _____
 Date: _____
 From: _____
 Contact: _____

Project: _____
 Customer: _____
 Location: _____
 Engineer: _____
 Unit Tag# _____

For Your: Reference Approval Construction

Electrical, Dimensional and Miscellaneous Specifications

Electrical Data - CWHG10

Power Supply		Compressor		Indoor Fan Motor		Electric Heat				Unit Electrical Ratings					
Voltage	Min.	RLA	LRA	FLA	Hp	Htr #	Htr V	Htr W	Htr A	TCA	THA	MCA	MOCP	Standard Connection	Optional Plug
115V/1ph/60Hz	104	8	45.6	1.4	0.09	0	N/A	N/A	N/A	9.4	N/A	11.4	15	Hard-Wired	5-15P
208-230V/1ph/60Hz	197	4	22.2	0.6	0.08	0	N/A	N/A	N/A	4.6	N/A	5.6	15	Hard-Wired	6-15P
						2	208	1636	7.9		8.5	10.6	15	Hard-Wired	6-15P
							230	2000	8.7		9.3	11.6			
						3	208	2454	11.8		12.4	15.5	20	Hard-Wired	6-20P
							230	3000	13.0		13.6	17.1			
						4	208	3271	15.7		16.3	20.4	25	Hard-Wired	6-30P
							230	4000	17.4		18.0	22.5			
5	208	4089	19.7	20.3	25.3	30	Hard-Wired	6-30P							
	230	5000	21.7	22.3	27.9										
265V/1ph/60Hz	240	3.32	18.8	0.67	0.08	0	N/A	N/A	N/A	4.0	N/A	4.8	15	Hard-Wired	7-20P
						2	265	2655	10.0		10.7	13.4	15	Hard-Wired	7-20P
						3	265	3983	15.0		15.7	19.6	20	Hard-Wired	7-20P

Electrical Data - CWHG13

Power Supply		Compressor		Indoor Fan Motor		Electric Heat				Unit Electrical Ratings					
Voltage	Min.	RLA	LRA	FLA	Hp	Htr #	Htr V	Htr W	Htr A	TCA	THA	MCA	MOCP	Standard Connection	Optional Plug
115V/1ph/60Hz	104	9.2	53	1.4	0.09	0	N/A	N/A	N/A	10.6	N/A	12.9	20	Hard-Wired	5-20P
208-230V/1ph/60Hz	197	5.1	24	0.6	0.08	0	N/A	N/A	N/A	5.7	N/A	7.0	15	Hard-Wired	6-15P
265-277V/1ph/60Hz	240	4.2	31.5	0.67	0.08	0	N/A	N/A	N/A	4.9	N/A	5.9	15	Hard-Wired	7-20P

Optional Electrical Plugs (Special - SER)

VOLTAGE	LINE NO.	15 AMPERE		20 AMPERE		30 AMPERE	
		RECEPTACLE	PLUG	RECEPTACLE	PLUG	RECEPTACLE	PLUG
125V	5						
		5-15R	5-15P	5-20R	5-20P	5-20R	5-30P
250V	6						
		6-15R	6-15P	6-20R	6-20P	6-30R	6-30P
277V	7						
		7-15R	7-15P	7-20R	7-20P	7-30R	7-30P

Miscellaneous Product Data

Return Air Filter	1-Washable Metal Mesh
Cab RA Filter Dim	32" x 9" x 3/8"
Elec Ht (Optional)	EWT ≤ 50°F
Shipping Dims	46 1/2" x 21" x 11 1/2"
CWHG10 Ship Wt	160 lbs (73 kg)
CWHG13 Ship Wt	165 lbs (75 kg)
Compressor Type	Rotary/R-410A
CWHG10 Ref Chrg	19 Ounces
CWHG13 Ref Chrg	23 Ounces



Made in the USA

Standard Operating Limits

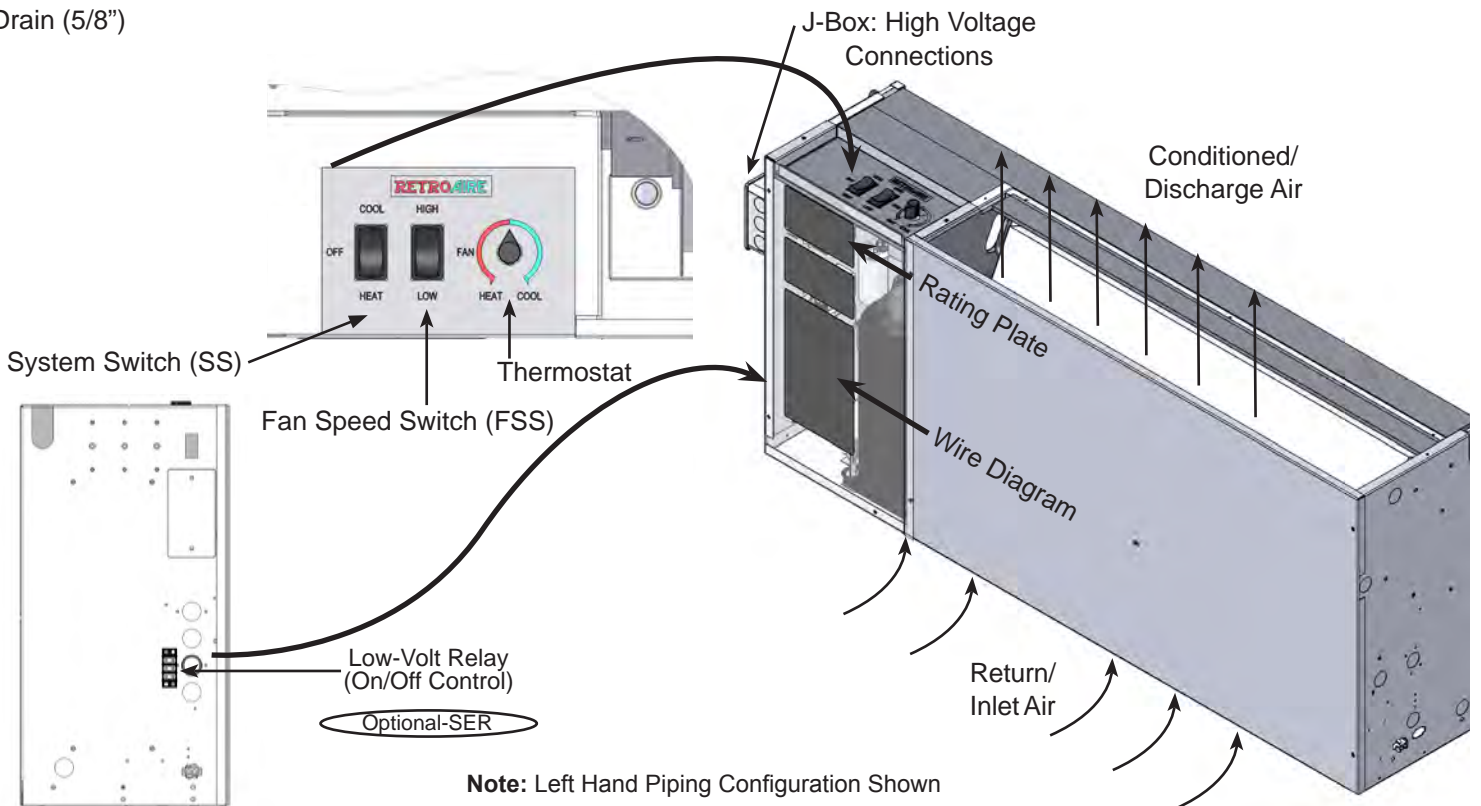
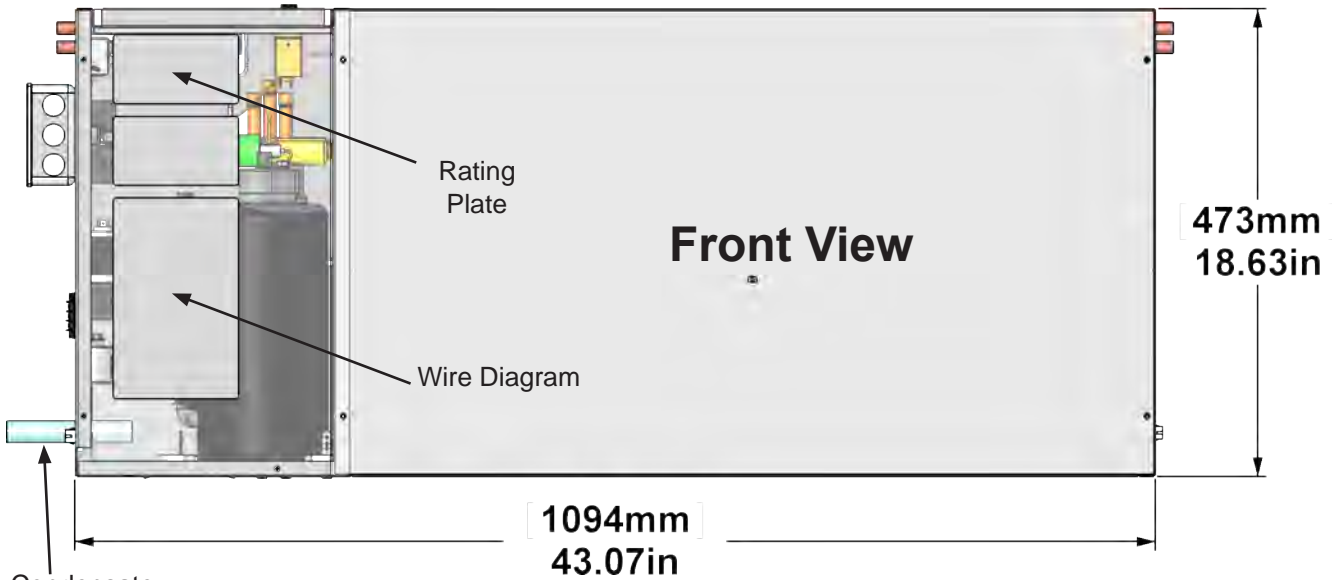
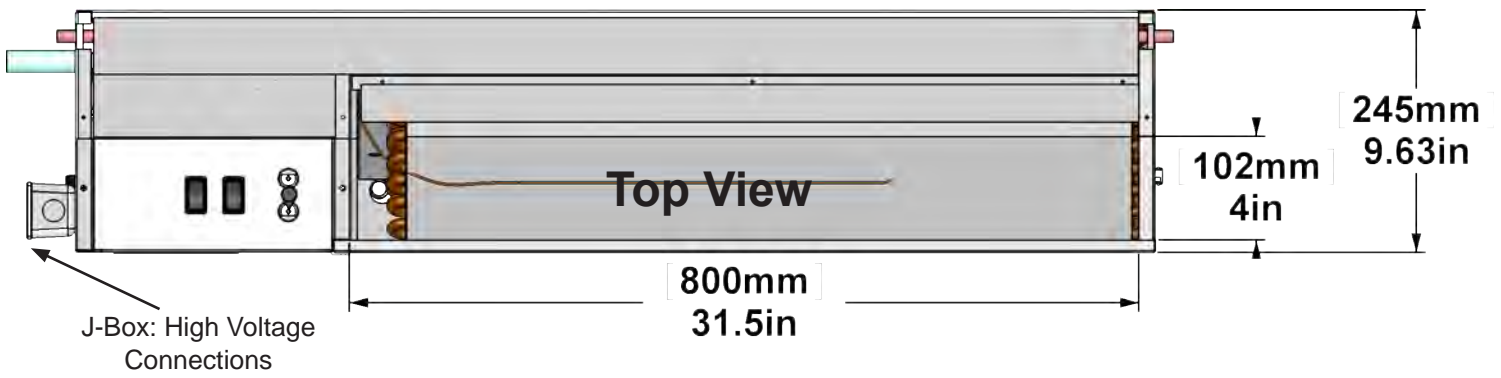
Air Temp Limits	Cooling °F (°C)	Heating °F (°C)
Minimum Ambient Air	50 (10)	50 (10)
Rated Ambient Air	80.7 (27)	68 (20)
Maximum Ambient Air	100 (38)	85 (30)
Minimum EAT DB/WB	67/57 (20/14)	N/A
Rated EAT DB/WB	80.7/66.3 (27/19.1)	68 (20)
Maximum EAT DB/WB	100/83 (38/29)	80 (27)
Water Temp Limits	Cooling °F (°C)	Heating °F (°C)
Minimum EWT	60 (16)	60 (16)
Maximum EWT	95 (35)	90 (33)

Note: EAT & Ambient Temp surrounding the unit, are the same value

Job-Guide Specifications

- Standard Warranty: 1 Year - Parts & 5 Year - Compressor
- High Pressure Switch with Integral Compressor Lockout Relay (Cycle SS Off/On to Reset)
- Low Water Temperature Cut-out Switch with Integral Compressor Lockout Relay (Cycle SS Off/On to Reset)
- Indoor Coil Freeze Protection
- Single Stage Heating Operation (w/ or w/o Electric Heat)
- DOE Performance Qualified & Listed
- ETL-US & Canada Listed for Safety to UL484 Standard
- Drop-in for Friedrich/Climate Master "CW" & "800" Series
- Reversing Valve Energized in Cooling
- Meets ASHRAE 90.1-2010 for New Construction efficiency

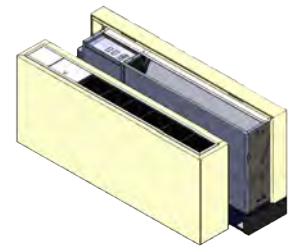
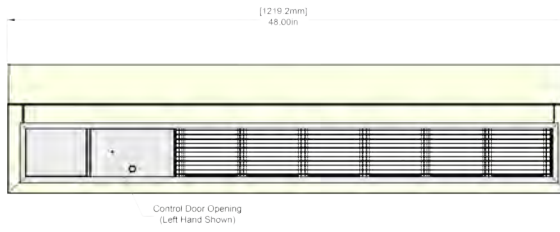
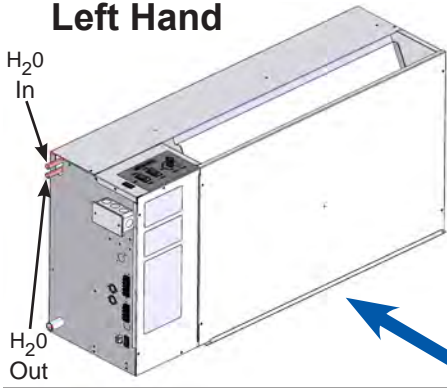
Dimensional Specifications



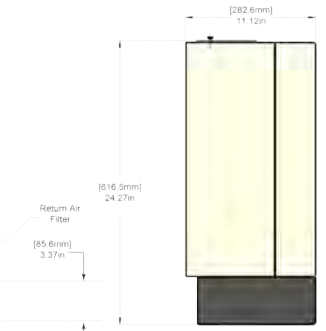
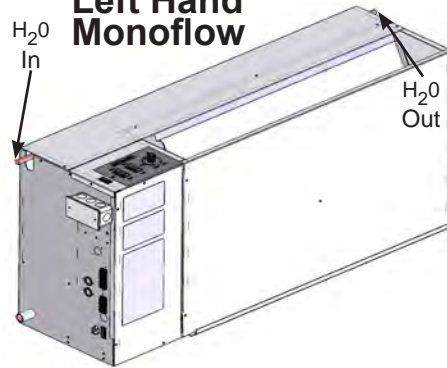
NOTICE: Due to ongoing product development; design, specification and performance data listed within this submittal document are subject to change without notice. For the most current performance data, please refer to ECR International listings of certified products in the AHRI directory, or consult the factory.

Water Coil Piping Options & Optional Cabinet Dimensions

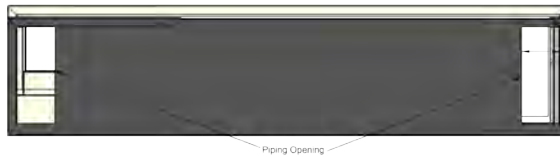
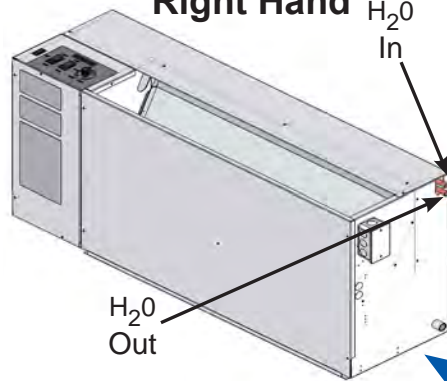
Left Hand



Left Hand Monoflow

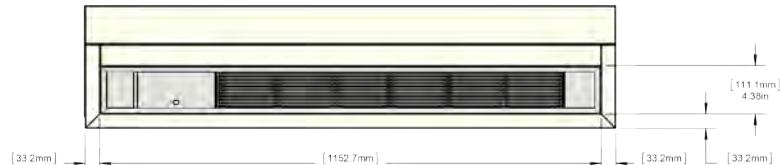
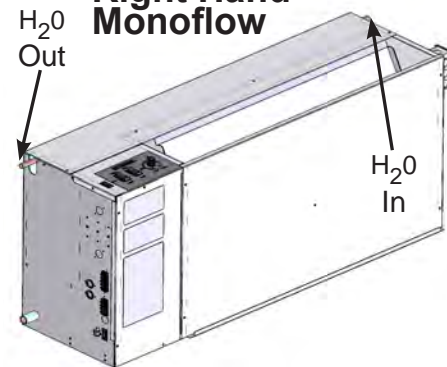


Right Hand

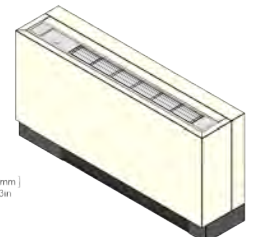
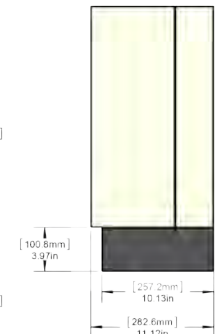


Left Hand Cabinet Kit #550000199

Right Hand Monoflow



Right Hand Cabinet Kit #550000200



ECR International Inc.
 2201 Dwyer Avenue, Utica, NY 13501
 Tel. 800 253 7900
 www.ecrinternational.com