



Comfort Where It Counts.

DWPH123 (WHP12-SHC12)

Rev. 1.2 [1/05]

JOB NAME: _____ LOCATION: _____
PURCHASER: _____
ENGINEER: _____
SUBMITTED TO: _____ FOR: REFERENCE [] APPROVAL [] CONSTRUCTION []
SUBMITTED BY: _____ DATE: _____
UNIT DESIGNATION: SCHEDULE #: _____ MODEL #: _____

▲ CAPACITIES:

Cooling		12,000 Btu
Heating	- High	11,200 Btu
	- Low	6,350 Btu

Indoor Design Temp °F DB/WB

Cooling	80/67
Heating	70/57

Outdoor Design Temp °F DB/WB

Cooling	95/75
Heating	- High 47/43
	- Low 17/15

EER	10.0
SEER	10.0
HSPF	7.0

▲ INDOOR UNIT:

Power Supply	208/230/1/60
Max. Fuse Size	15 Amps (w/o electric heat)
Min. Ampacity	.43 Amps (w/o electric heat)
Max. Fuse Size	20 Amps (w/3kw electric heat)
Min. Ampacity	16.8 Amps (w/3kw electric heat)
Sound	48 dBA
Weight	85 Lbs

▲ OUTDOOR UNIT:

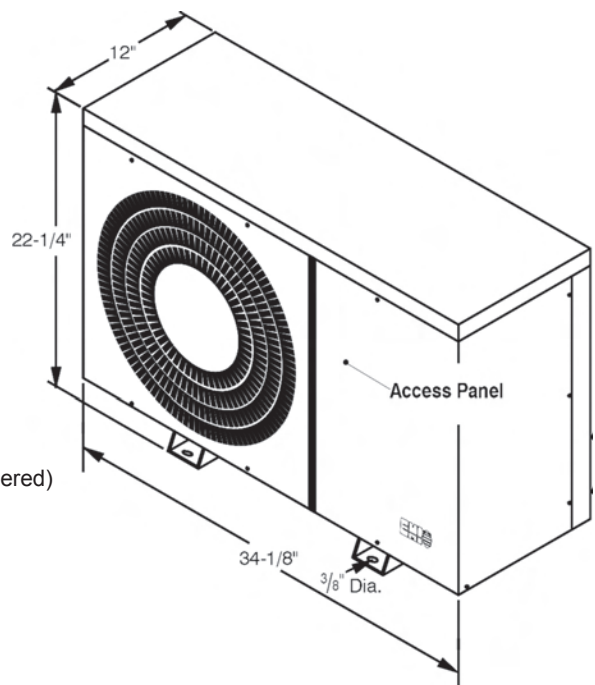
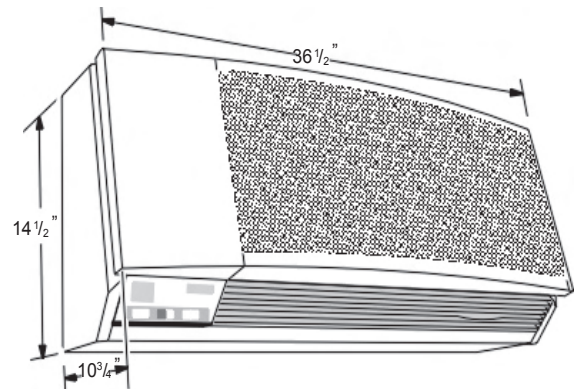
Power Supply	208/230/1/60
Max. Fuse Size	15 Amps
Min. Ampacity	7.4 Amps
Sound	58.0 dBA
Weight	90 Lbs

▲ REFRIGERANT PIPING:

Max. Lift	35 Ft
Max. Length	100 Ft
Liquid (OD)	1/4 In
Suction (OD)	1/2 In

▲ STANDARD FEATURES:

- Five-Year Compressor/One-Year Parts Warranty
- I/R Unit Mount Control (w/optional hand-held control)
- Dry Mode For Humidity Control (when optional electric heat is ordered)
- Auto Restart Following A Power Outage
- Anti-Short Cycle Protection
- Freeze Protection
- Test Operation
- Side Discharge/Low Profile Condenser
- Fan Purge
- "Duratec" Performance Package For Compressor Protection
 - Suction Accumulator
 - Filter Dryer
 - Loss Of Charge Switch



EMI ENGINEERING SUBMITTAL

▲ **PART ONE “GENERAL”**

The Heat Pump air conditioning system shall be an EMI AmericaSeries split system. The system shall consist of a High Wall mounted packaged evaporator section Model WHP12 and matching AmericaSeries outdoor unit Model SHC12. The units shall be made within North America. The units shall be listed by Intertek Testing Service (ITS) and bear the ETL label. All wiring shall be in accordance with the National Electrical Code (N.E.C.). The units shall be rated in accordance with ARI Standard 210/240 and bear the ARI label. The units shall be manufactured in a facility certified to ISO 9001, which is an international standard used to provide guidance in the development and implementation of an effective Quality Management System. The condensing unit shall contain an R-22 refrigerant charge for the evaporator section and condenser section. System SEER shall meet or exceed 1992 Federal Standards.

▲ **PART TWO “WARRANTY”**

The units shall have a manufacturer’s warranty for a period of one (1) year from date of installation. The compressor shall have a warranty of five (5) years from date of installation. If, during this period, any part should fail to function properly due to defects in workmanship or material, it shall be replaced or repaired at the discretion of Enviromaster International LLC. This warranty does not include labor. Manufacturer shall have fifteen years experience in the U.S. market.

▲ **PART THREE “PERFORMANCE”**

Each indoor unit shall provide a total minimum cooling capacity of 12,000 Btuh with an SEER of 10.0 and EER of 10.0 at ARI standard conditions. The system net minimum total cooling capacity shall be 12,000 Btuh and the net minimum sensible cooling capacity shall be 7,800 Btuh with a circulating air rate of 310 CFM at 80° F (DB)/67° F (WB) entering the indoor coil and 95° F (DB) air entering the outdoor coil. The total power consumption of the combined system shall not exceed 1,200 Watts at these conditions.

HEATING

The system shall provide a heating capacity of 11,200 Btuh with a HSPF of 7.0 at ARI standard conditions. The heating capacity at 70° F indoor and 17° F outdoor shall be 6,350 Btuh.

▲ **PART FOUR “INDOOR UNIT”**

The indoor unit shall be factory assembled, wired and contain a low voltage transformer. The cabinet shall have a white paint finish. The evaporator fan shall be an assembly with line flow tangential fan direct driven by a single motor. The fan shall be statically and dynamically balanced and run on permanently lubricated bearings. An adjustable vane shall be provided with ability to change the airflow vertically. Return air shall be filtered by means of an easily removable electrostatic washable filter. The evaporator coil shall be of nonferrous construction with louvered fins bonded to rifled copper tubing. The tubing shall have inner grooves for high efficiency heat exchange. All tube joints shall be brazed with phoscopper or silver alloy. The coil shall be pressure tested at the factory. A condensate pan and drain shall be provided under the coil. System refrigerant flow shall be controlled by means of an orifice piston in the indoor unit. The unit electrical power shall be 208/230 Volts, 1 phase, 60 Hertz. The system shall be capable of satisfactory operation within voltage limits of 208/230 +/- 10% Volts.

▲ **PART FIVE- “CONTROL SYSTEM”**

The control system shall consist of unit-mounted infrared compatible controls. Interconnect low-voltage wiring shall run from indoor unit to outdoor unit direct. **NO SPLICES**. When running low voltage wiring a double insulated, 5-wire 18 gage cable is mandatory or use shielded 5-wire cable. The microprocessor shall be factory wired and located within the indoor unit. It shall have the capability of sensing return air temperature and indoor coil temperature; large ¾” LCD backlit display; operational range adjustable between 55° F and 95° F in one-degree increments; anti-short cycle compressor protection; minimum compressor run time; fan purge, fan remains on for 60 seconds after heat/cool call is dropped for improved efficiency; freeze protection to prevent evaporator freeze ups; annunciation provides an audio feedback when the control settings are changed; universal control board allows the unit to operate with either a straight cool or heat pump condenser; two stage heating when optional electric heat and heat pump condenser

are selected; fan operation of auto (cycling), high and low (constant), auto fan operation automatically selects fan speed according to heating or cooling demand; dry mode operates cooling and electric heat simultaneously to remove humidity, optional electric heat must be selected; test operation allows ease of testing after installation (all timers are eliminated); non-volatile back-up memory, control settings are maintained for an indefinite period during a power outage, when power is restored the equipment will resume operation after a three-minute compressor time delay; optional hand held infra-red controller. The control voltage between the indoor unit and the outdoor unit shall be 24 Volts A.C. The 24 Volts shall be generated from the indoor unit's 24 Volt 40VA transformer.

▲ **PART SIX- "OUTDOOR UNIT"**

The outdoor unit shall be completely factory assembled, piped and wired. The cabinet shall be fabricated of G60 galvanized steel, finished in off white with corrosion inhibiting polyester powder-coated paint. The unit shall be furnished with one (1) direct drive, propeller type fan arranged for horizontal discharge. The motor shall have inherent protection, be of the permanently lubricated type, and resiliently mounted for quiet operation. The fan shall be provided with a guard to prevent contact with moving parts. The compressor shall be of the high-performance rotary type with Duratec package which consists of an oversized accumulator, factory installed solid core filter and thermal overloads. The compressor shall be mounted so as to avoid the transmission of vibration. The refrigeration system shall be equipped with loss of charge switch, and have the capability to operate with a maximum height difference of 35 feet and overall refrigerant tubing length of 100 feet between indoor and outdoor sections without the need for line size changes or additional oil. The condenser coil shall be of nonferrous construction with louvered fins bonded to rifled copper tubing. The unit shall be controlled by the microprocessor located in the indoor matching unit. The heating expansion is controlled by a TXV in the outdoor unit. The unit electrical power shall be 208/230 Volts, 1 phase, 60 Hertz. The system shall be capable of satisfactory operation within voltage limits of 208/230 Volts +/- 10%.

▲ **PART SEVEN "OPTIONAL EQUIPMENT"**

- **Hand Held Infrared Remote Controller** – used to command the unit-mounted controls.
- **24V Wall Thermostat Control** – anti-short cycle compressor protection; fan purge, fan remains on for 60 seconds after heat/cool call is dropped for improved efficiency; integral heating relay ensures that the fan operates whenever electric heat is energized; two stage heating capable when matched up with an EMI heat pump and an appropriate two stage thermostat.
- **3KW Electric Heat** – shall be factory installed; automatic reset high temperature cutout and redundant high temperature fuse link.
- **Internal Condensate Pump** – shall be field installed or factory installed and shall have 4 ft of head.
- **Low Ambient Control** – shall consist of a fan cycle switch and a lock-out relay, field installed.
- **Hard Start** – shall be field installed.
- **Sea Coast Style Coated Coils** – shall be factory installed; coating shall protect against corrosion due to acids, solvents and salt.



5780 Success Drive, Rome, NY 13440
Phone: 1-800-228-9364
FAX: 1-800-232-9364
Email: emi@enviromaster.com