

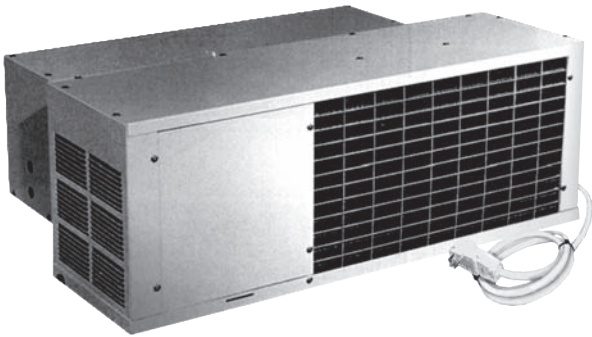
RETROAIRE

The Right Fit for Comfort

RC/RH70 PACKAGED TERMINAL AIR CONDITIONER/HEAT PUMP

P/N 240003263 Rev. 1.2 [03/06]

**Replacement for:
Emerson & Sears Model 8T
Over the Door or High Wall Unit**



STRAIGHT COOL/HEAT PUMP

Nominal Capacities: 9,000 & 12,000 Btuh

PRODUCT DESCRIPTION

The RetroAire RC/RH70 replacement chassis is a conditioner designed to allow owners of Emerson and Sears Model 8T Over-the-Door or High Wall units to upgrade the performance of their room conditioning and achieve current efficiency standards.

This unit is available as a cooling only model or for those who wish to upgrade to a heat pump, the RH70 will fit the existing wall opening. The heat pump version will reduce energy costs during periods of outdoor temperature ranging down to as low as 35°.

With Energy Efficiency ratings as high as 9.0, the replacement of worn out and inefficient units becomes a very attractive option. The RC/RH70 are sold with a wall mounted thermostat, mounting brackets and electric heat included, eliminating the need for optional equipment.

Whisper quiet operation improves the room ambiance and a washable permanent filter makes service a snap. The 60 gauge, Galvaneal steel construction of the cabinet and baked enamel paint finish ensures long service life.

All RetroAire products are backed by EMI and ECR International and are tested and rated in accordance with ARI Standards 310 & 380 and UL 484. A full service parts inventory is always available.

High Lighted Benefit:

- Quiet, Low Speed Evaporator Blower
- Even, Quiet Air Flow
- Positive Condensate Re-Evaporation
- Corrosion Inhibiting Condenser Pan Coating

▲▼ Capacities:

The RC/RH70 Replacement Chassis are available in nominal capacities of 9,000 & 12,000 Btuh.

▲▼ Air Systems:

- Fan is forward curved type, directly mounted to the motor shaft.
- Motors are PSC type with overheat protection.
- Air stream surfaces are insulated with 1/4" fiberglass or 1/8" Volara™.
- Filter is permanent, washable mesh.

▲▼ High Efficiency Heat Exchanger:

Coil is seamless, copper tubing, arranged in staggered configuration, with enhanced aluminum fins, tested to 460 psig. The tubes are mechanically expanded for secure bonding to fin shoulders.

▲▼ Refrigeration Circuit:

- High Efficiency, rotary compressor with a five-year warranty.
- Low maintenance capillary expansion tube. Heat pumps equipped with refrigerant check valve.

▲▼ Heat Pumps:

- Heat Pump heating operates as low as 35° outdoor temperature.
- Heat Pumps include adjustable change-over temperature point and emergency heat position.

▲▼ Options:

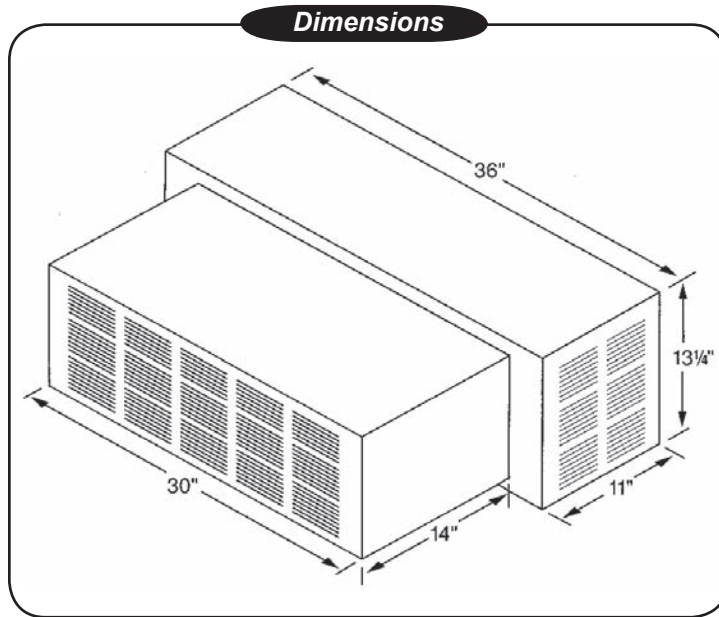
- The RC/RH 70 units are complete as delivered and require no optional equipment. Electric heat option can be either 2KW or 3KW.

RC70 Performance Data*					
Unit Size	Cooling		Heat Pump Btuh	COP	Evaporator CFM Hi
	Btuh	EER's			
09	8,600	8.6	8,500	2.8	270
12	11,500	9.0	11,000	2.7	270

* Due to the ongoing product development and use of alternate components (compressors, motors, etc.) to meet production requirements, performance data is subject to change without notice. Consult factory for most current performance data.

RC70 SPECIFICATIONS AND DIMENSIONS

IMPORTANT: Due to RetroAire's on going development programs, designs and specifications may change without notice. Please consult factory for the latest information and submittal data before making any job site updates.



Note: Unit uses R22 refrigerant.

RC70 Electrical Specifications												
Model Number	Voltage/Hz/Phase	Evap Motor		Cond Motor		Compressor		Total Amps	MCA	Max Fuse	Min Voltage	Line Cord
		FLA	HP	FLA	HP	RLA	LRA					
9	115/60/1	.75	.30	1.6	.125	7.4	44.0	9.75	11.5	15	104	6-15P
	208/230/60/1	.40	.30	0.7	.125	3.8	20.0	4.90	6.3	15	197	6-15P
	265/60/1	.40	.30	0.7	.125	3.3	18.6	4.40	5.4	15	240	7-20P
12	115/60/1	.75	.30	1.6	.125	9.7	54.0	12.05	14.5	20	104	5-15P
	208/230/60/1	.40	.30	0.7	.125	4.8	26.3	5.90	6.9	15	197	6-20P
	265/60/1	.40	.30	0.7	.125	4.2	28.0	5.30	6.2	15	240	7-20P

RC70 Optional Electric Heat Specifications								
Heater No.	Voltage	Watts	Btuh	Amps	Total Heat Amps	Ampacity	Max Fuse	Line Cord
2	208	1,650	5,900	7.9	8.4	10.4	15	6-15P
	230	2,000	7,100	8.7	9.2	11.4	15	6-15P
	265	2,700	9,500	10.2	10.7	13.3	15	7-20P
3	115	750	2,850	6.5	7.0	8.7	15	5-15P
	208	2,500	8,800	12.0	12.5	15.5	20	6-20P
	230	3,000	10,500	13.0	13.5	16.8	20	6-20P
	265	4,000	13,900	15.1	15.6	19.4	20	7-20P
	277	4,400	15,300	15.9	16.4	20.4	20	7-20P

NEMA Specifications Non-Locking/Receptacles								
VOLTAGE	125V		250V			265V		
	15(A)	20(A)	15(A)	20(A)	30(A)	15(A)	20(A)	30(A)
PLUG								
RECEPTACLE	5-15 R	5-20 R	6-15 R	6-20 R	6-30 R	7-15 R	7-20 R	7-30 R

An ECR International Brand
ENVIROMASTER INTERNATIONAL LLC
 5780 Success Drive, Rome, NY 13440